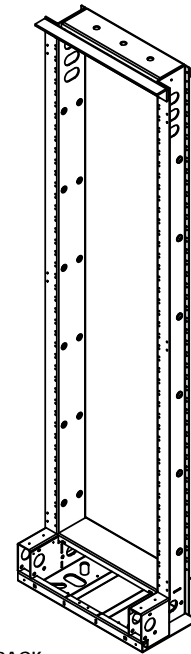
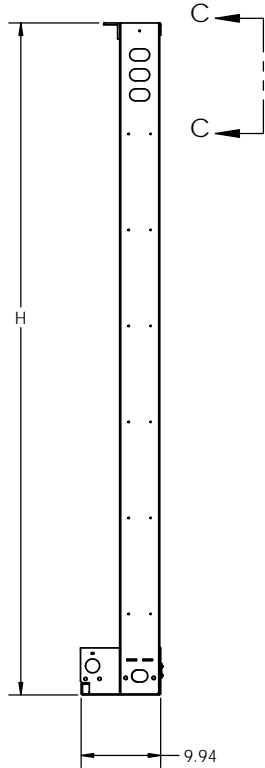
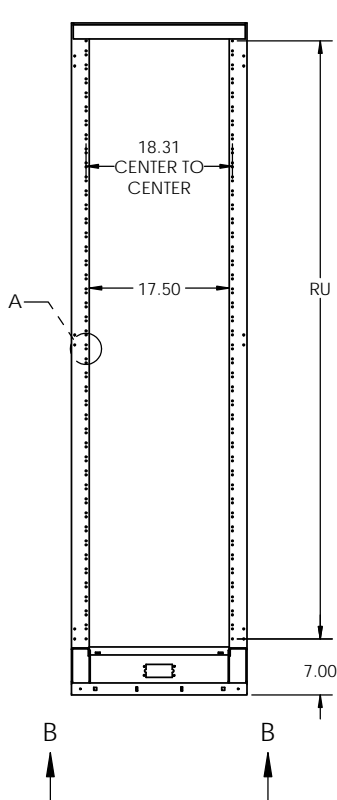
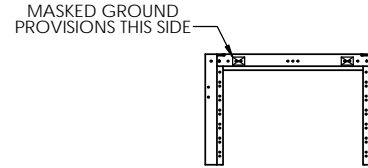
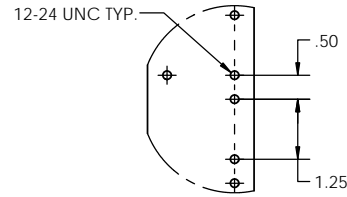
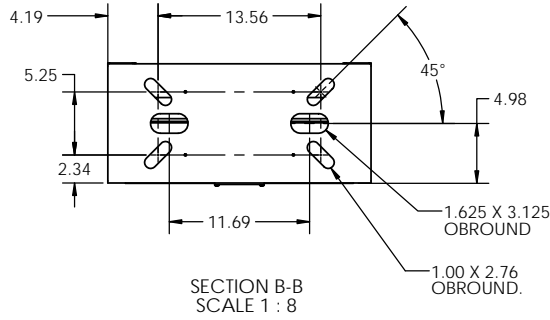
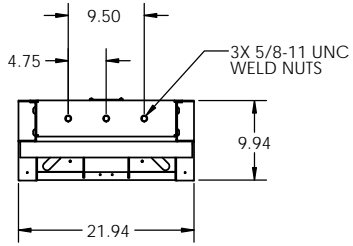


NOTES:

1. MATERIAL: HEAVY GAUGE WELDED STEEL FRAME
2. STANDARD FINISH: TELCO GRAY POWDER COAT (OTHER COLORS AVAILABLE)
3. STATIC RATING: 850 LBS
4. HEIGHTS LISTED IN TABLE 1 ARE STANDARD HEIGHTS. SEE PART NUMBER LEGEND FOR ADDITIONAL HEIGHTS AVAILABLE.
5. IT IS RECOMMENDED TO SUPPORT RACKS TALLER THAN 8 FT. FROM TOP IN ADDITION TO FLOOR MOUNTING.



EIA RACK

UNEQUAL FLANGE RACKS PART NUMBER LEGEND

UFR A 33 084 A A

A	TELCO GRAY
B	BLACK
C	BLUE
D	WHITE
E	CREAM
F	KONE GRAY

HOLE SPACING	
A	EIA HOLE SPACING

060	5'
066	5'6"
072	6'
078	6'6"
084	7'
090	7'6"
096	8'
102	8'6"
108	9'
114	9'6"
120	10'
126	10'6"
132	11'
138	11'6"

31	CLOSED DUCT
32	OPEN DUCT
33	CLOSED DUCT (TOP ANGLE OPTION)
34	OPEN DUCT (TOP ANGLE OPTION)

RACK WIDTH	
A	19" PANEL MOUNTING

RACK STYLE	
UFR	STANDARD UNEQUAL FLANGE RACK

MODEL NO.	RACK UNITS EIA(RU)	HEIGHT (H)	WEIGHT (LBS.)
UFRA33084Ax	43	84	79
UFRA33090Ax	46	90	82
UFRA33096Ax	49	96	85
UFRA33108Ax	56	108	91
UFRA33138Ax	73	138	106

\*\*LAST DIGIT (X) OF THE ABOVE PART NUMBER REPRESENTS COLOR. SEE PART NUMBER LEGEND TO COMPLETE PART NUMBER.

PROPRIETARY AND CONFIDENTIAL  
THE INFORMATION CONTAINED IN THIS DRAWING IS THE SOLE PROPERTY OF ELECTRONIC SYSTEMS SUPPORT. ANY REPRODUCTION IN PART OR AS A WHOLE WITHOUT THE WRITTEN PERMISSION OF ELECTRONIC SYSTEMS SUPPORT IS PROHIBITED.

UNLESS OTHERWISE SPECIFIED: DIMENSIONS ARE IN INCHES		<b>Electronic Systems Support</b> www.ess.to		3233 W. Kingsley Rd. Garland, Texas 75041 PH. 972-272-2468 FAX 972-276-9844	
TITLE: UNEQUAL FLANGE RACK, 19", NON-SEISMIC, CLOSED DUCT, W/TOP ANGLE					
PROJECTION:	NAME:	DATE:	SIZE: <b>C</b>	DWG. NO.: UFRA33xxxx-SPEC	REV: A
DRAWN BY: RNA	11-9-17				
SCALE: 1:12				SHEET 1 OF 2	

NOTES:

1. MATERIAL: HEAVY GAUGE WELDED STEEL FRAME
2. STANDARD FINISH: TELCO GRAY POWDER COAT (OTHER COLORS AVAILABLE)
3. STATIC RATING: 850 LBS
4. HEIGHTS LISTED IN TABLE 1 ARE STANDARD HEIGHTS. SEE PART NUMBER LEGEND FOR ADDITIONAL HEIGHTS AVAILABLE.
5. IT IS RECOMMENDED TO SUPPORT RACKS TALLER THAN 8 FT. FROM TOP IN ADDITION TO FLOOR MOUNTING.

**UNEQUAL FLANGE RACKS PART NUMBER LEGEND**

A	TELCO GRAY
B	BLACK
C	BLUE
D	WHITE
E	CREAM
F	KONE GRAY

HOLE SPACING	
B	WECO HOLE SPACING

060	5'
066	5'6"
072	6'
078	6'6"
084	7'
090	7'6"
096	8'
102	8'6"
108	9'
114	9'6"
120	10'
126	10'6"
132	11'
138	11'6"

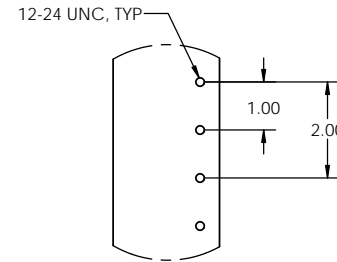
31	CLOSED DUCT
32	OPEN DUCT
33	CLOSED DUCT (TOP ANGLE OPTION)
34	OPEN DUCT (TOP ANGLE OPTION)

RACK WIDTH	
A	19" PANEL MOUNTING

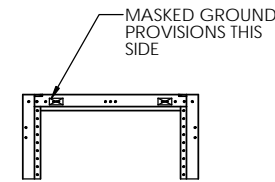
RACK STYLE	
UFR	STANDARD UNEQUAL FLANGE RACK

MODEL NO.	RACK UNITS WECO(RU)	HEIGHT (H)	WEIGHT (LBS.)
UFRA33084Bx	38	84	79
UFRA33090Bx	41	90	82
UFRA33096Bx	44	96	85
UFRA33108Bx	50	108	91
UFRA33138Bx	65	138	106

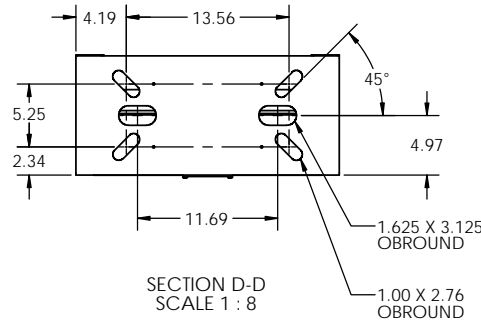
\*\*LAST DIGIT (X) OF THE ABOVE PART NUMBER REPRESENTS COLOR. SEE PART NUMBER LEGEND TO COMPLETE PART NUMBER.



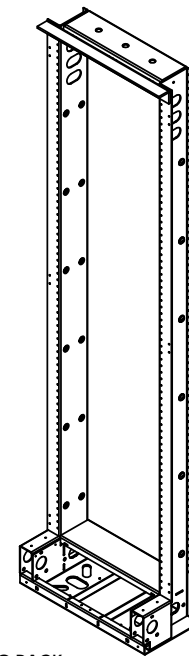
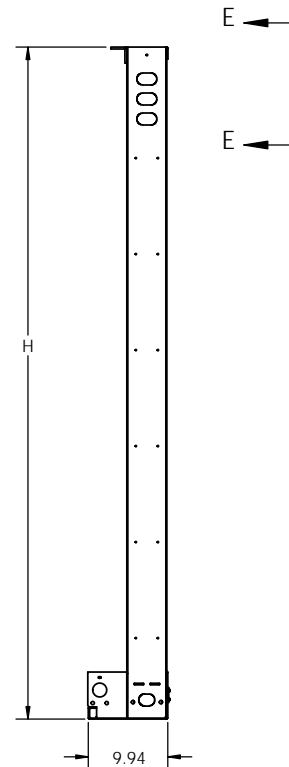
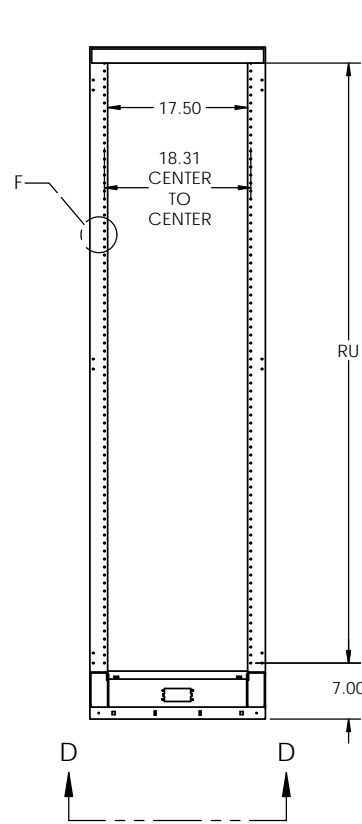
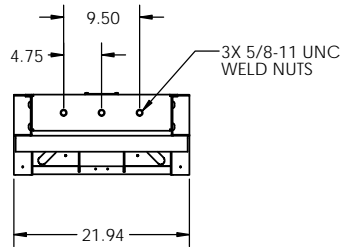
DETAIL F  
SCALE 1 : 2  
WECO HOLE SPACING



SECTION E-E



SECTION D-D  
SCALE 1 : 8



WECO RACK

PROPRIETARY AND CONFIDENTIAL  
THE INFORMATION CONTAINED IN THIS DRAWING IS THE SOLE PROPERTY OF ELECTRONIC SYSTEMS SUPPORT. ANY REPRODUCTION IN PART OR AS A WHOLE WITHOUT THE WRITTEN PERMISSION OF ELECTRONIC SYSTEMS SUPPORT IS PROHIBITED.

UNLESS OTHERWISE SPECIFIED: DIMENSIONS ARE IN INCHES		<b>Electronic Systems Support</b> www.ess.to		3233 W. Kingsley Rd. Garland, Texas 75041 PH. 972-272-2468 FAX 972-276-9844	
TITLE: UNEQUAL FLANGE RACK, 19", NON-SEISMIC, CLOSED DUCT, W/TOP ANGLE					
PROJECTION:	NAME:	DATE:	SIZE: <b>C</b>	DWG. NO.: UFRA33xxxx-SPEC	REV: A
DRAWN BY: RNA	DATE: 11-9-17	SCALE: 1:12		SHEET 2 OF 2	