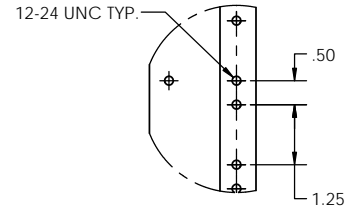
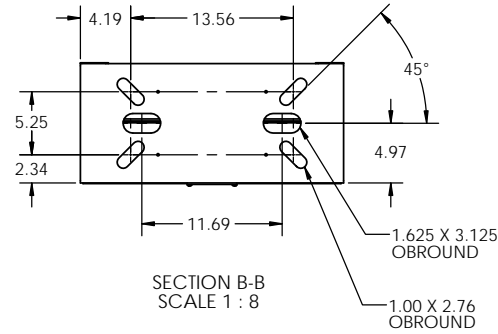
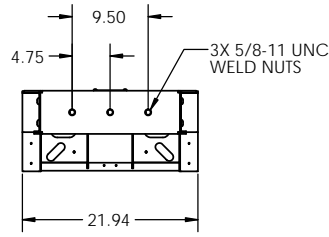
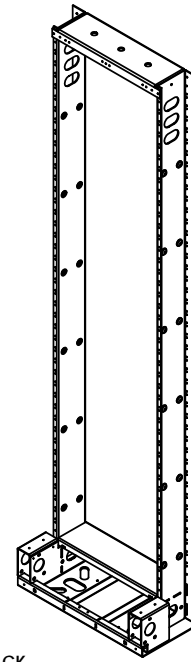
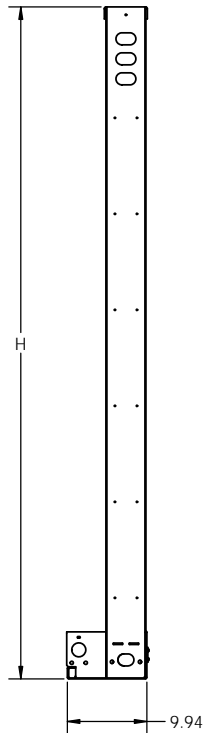
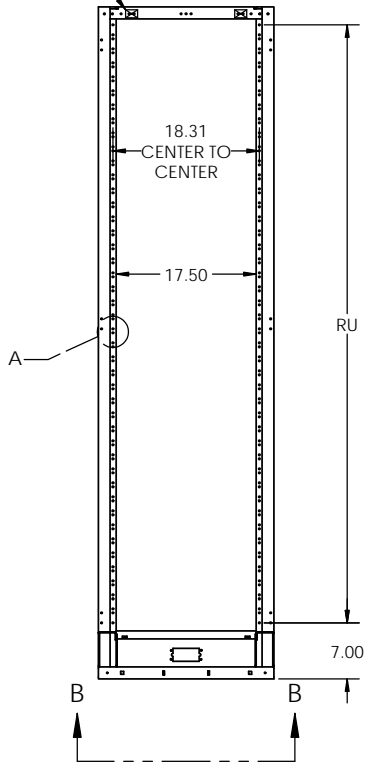


NOTES:

1. MATERIAL: HEAVY GAUGE WELDED STEEL FRAME
2. STANDARD FINISH: TELCO GRAY POWDER COAT (OTHER COLORS AVAILABLE)
3. STATIC RATING: 850 LBS
4. HEIGHTS LISTED IN TABLE 1 ARE STANDARD HEIGHTS. SEE PART NUMBER LEGEND FOR ADDITIONAL HEIGHTS AVAILABLE.
5. IT IS RECOMMENDED TO SUPPORT RACKS TALLER THAN 8 FT. FROM TOP IN ADDITION TO FLOOR MOUNTING.



MASKED GROUND PROVISIONS FRONT AND REAR



UNEQUAL FLANGE RACKS PART NUMBER LEGEND

UFR A 32 084 A A

A	TELCO GRAY
B	BLACK
C	BLUE
D	WHITE
E	CREAM
F	KONE GRAY

HOLE SPACING	
A	EIA HOLE SPACING

060	5'
066	5'6"
072	6'
078	6'6"
084	7'
090	7'6"
096	8'
102	8'6"
108	9'
114	9'6"
120	10'
126	10'6"
132	11'
138	11'6"

31	CLOSED DUCT
32	OPEN DUCT
33	CLOSED DUCT (TOP ANGLE OPTION)
34	OPEN DUCT (TOP ANGLE OPTION)

RACK WIDTH	
A	19" PANEL MOUNTING

RACK STYLE	
UFR	STANDARD UNEQUAL FLANGE RACK

MODEL NO.	RACK UNITS EIA(RU)	HEIGHT (H)	WEIGHT (LBS.)
UFRA32084Ax	43	84	76
UFRA32090Ax	46	90	79
UFRA32096Ax	49	96	82
UFRA32108Ax	56	108	88
UFRA32138Ax	73	138	103

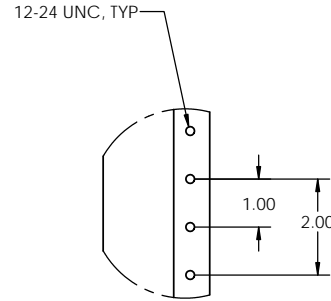
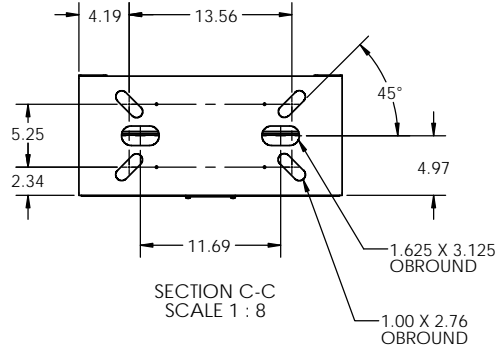
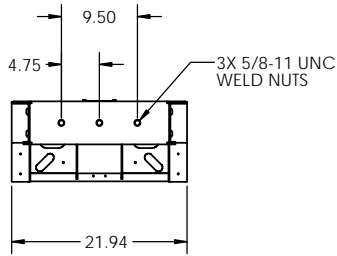
**LAST DIGIT (X) OF THE ABOVE PART NUMBER REPRESENTS COLOR. SEE PART NUMBER LEGEND TO COMPLETE PART NUMBER.

UNLESS OTHERWISE SPECIFIED: DIMENSIONS ARE IN INCHES		Electronic Systems Support www.ess.to		3233 W. Kingsley Rd. Garland, Texas 75041 PH. 972-272-2468 FAX 972-276-9844	
TITLE: UNEQUAL FLANGE RACK, 19", NON-SEISMIC, OPEN DUCT					
PROJECTION:	NAME:	DATE:	SIZE: C	DWG. NO. UFRA32xxxx-SPEC	REV: A
DRAWN BY: RNA 11-9-17			SCALE: 1:12		SHEET 1 OF 2

PROPRIETARY AND CONFIDENTIAL
THE INFORMATION CONTAINED IN THIS DRAWING IS THE SOLE PROPERTY OF ELECTRONIC SYSTEMS SUPPORT. ANY REPRODUCTION IN PART OR AS A WHOLE WITHOUT THE WRITTEN PERMISSION OF ELECTRONIC SYSTEMS SUPPORT IS PROHIBITED.

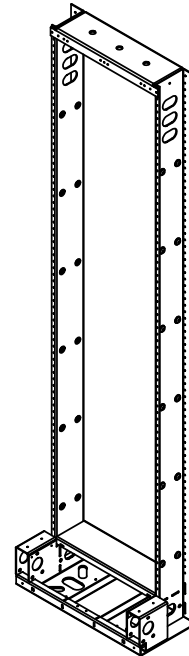
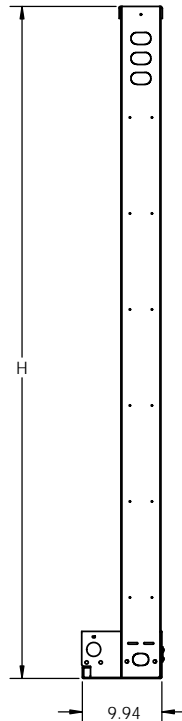
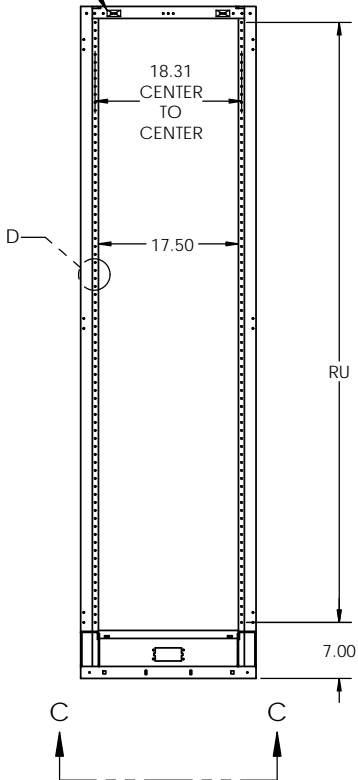
NOTES:

1. MATERIAL: HEAVY GAUGE WELDED STEEL FRAME
2. STANDARD FINISH: TELCO GRAY POWDER COAT (OTHER COLORS AVAILABLE)
3. STATIC RATING: 850 LBS
4. HEIGHTS LISTED IN TABLE 1 ARE STANDARD HEIGHTS. SEE PART NUMBER LEGEND FOR ADDITIONAL HEIGHTS AVAILABLE.
5. IT IS RECOMMENDED TO SUPPORT RACKS TALLER THAN 8 FT. FROM TOP IN ADDITION TO FLOOR MOUNTING.



DETAIL D
SCALE 1 : 2
WECO HOLE SPACING

MASKED GROUND PROVISIONS FRONT AND REAR



WECO RACK

UNEQUAL FLANGE RACKS PART NUMBER LEGEND

UFR A 32 084 B A

A	TELCO GRAY
B	BLACK
C	BLUE
D	WHITE
E	CREAM
F	KONE GRAY

HOLE SPACING
B WECO HOLE SPACING

060	5'
066	5'6"
072	6'
078	6'6"
084	7'
090	7'6"
096	8'
102	8'6"
108	9'
114	9'6"
120	10'
126	10'6"
132	11'
138	11'6"

31	CLOSED DUCT
32	OPEN DUCT
33	CLOSED DUCT (TOP ANGLE OPTION)
34	OPEN DUCT (TOP ANGLE OPTION)

RACK WIDTH	
A	19" PANEL MOUNTING

RACK STYLE	
UFR	STANDARD UNEQUAL FLANGE RACK

TABLE 1

MODEL NO.	RACK UNITS WECO(RU)	HEIGHT (H)	WEIGHT (LBS.)
UFRA32084Bx	38	84	76
UFRA32090Bx	41	90	79
UFRA32096Bx	44	96	82
UFRA32108Bx	50	108	88
UFRA32138Bx	65	138	103

**LAST DIGIT (X) OF THE ABOVE PART NUMBER REPRESENTS COLOR. SEE PART NUMBER LEGEND TO COMPLETE PART NUMBER.

PROPRIETARY AND CONFIDENTIAL
THE INFORMATION CONTAINED IN THIS DRAWING IS THE SOLE PROPERTY OF ELECTRONIC SYSTEMS SUPPORT. ANY REPRODUCTION IN PART OR AS A WHOLE WITHOUT THE WRITTEN PERMISSION OF ELECTRONIC SYSTEMS SUPPORT IS PROHIBITED.

UNLESS OTHERWISE SPECIFIED:
DIMENSIONS ARE IN INCHES

ESS Electronic Systems Support
www.ess.to

3233 W. Kingsley Rd.
Garland, Texas 75041
PH. 972-272-2468
FAX 972-276-9844

TITLE: UNEQUAL FLANGE RACK, 19", NON-SEISMIC, OPEN DUCT

PROJECTION:	NAME: _____	DATE: _____	SIZE: _____	DWG. NO. _____	REV: _____
DRAWN BY: RNA	DATE: 11-9-17	SCALE: 1:12	UFRA32xxxx-SPEC		A

SHEET 2 OF 2