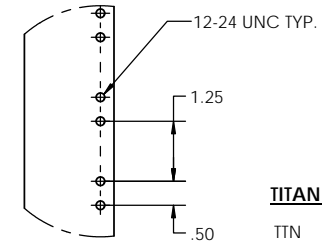
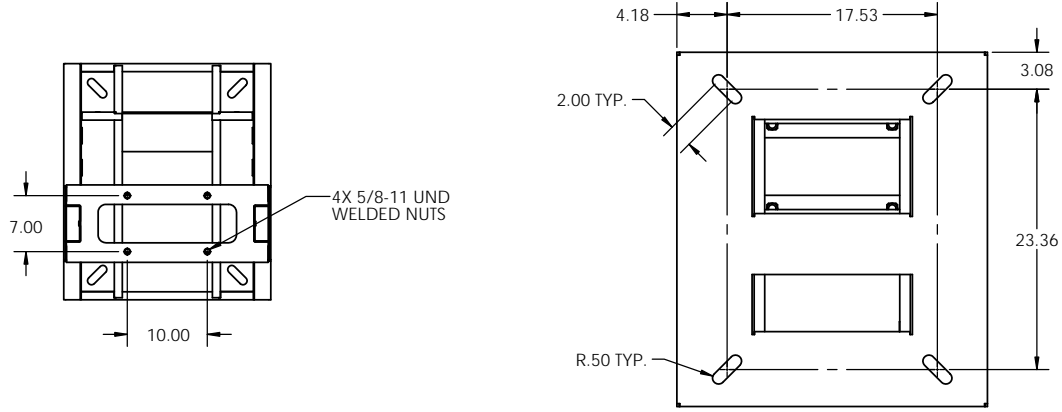


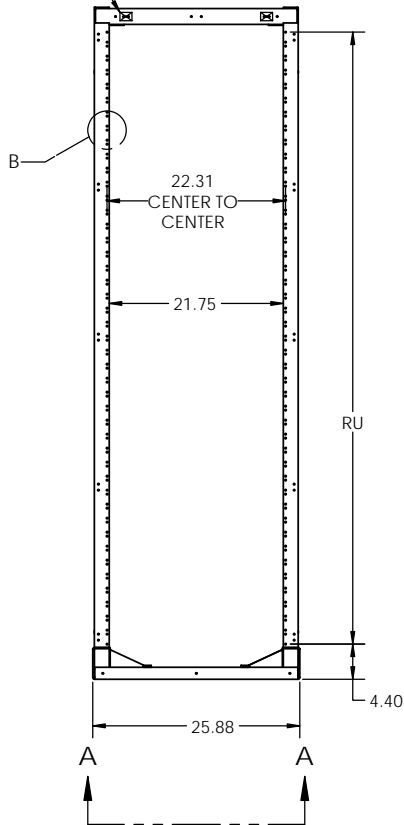
NOTES:

1. MATERIAL: HEAVY GAUGE WELDED STEEL FRAME
2. STANDARD FINISH: TELCO GRAY POWDER COAT (OTHER COLORS AVAILABLE)
3. TELCORDIA GR-63-CORE TESTED FOR SEISMIC ZONE 4 QUALIFICATION (HEIGHTS 84" AND UNDER ARE QUALIFIED UNDER CERTIFICATION).
4. TAPPED MOUNTING HOLES PROVIDED IN FRONT AND REAR FLANGES.
5. LOAD RATING: 925 LBS IN ZONE 4 SEISMIC AREAS (INCLUDES 50 LBS OF OVERHEAD CABLE).
6. HEIGHTS UNDER AND ABOVE THE LISTED HEIGHTS IN TABLE 1 ARE ALSO AVAILABLE. PLEASE CONSULT WITH SALES.

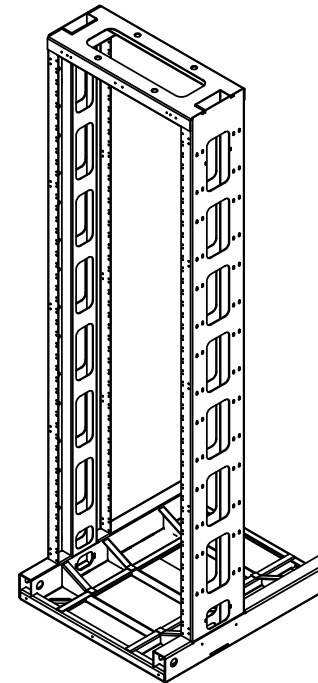
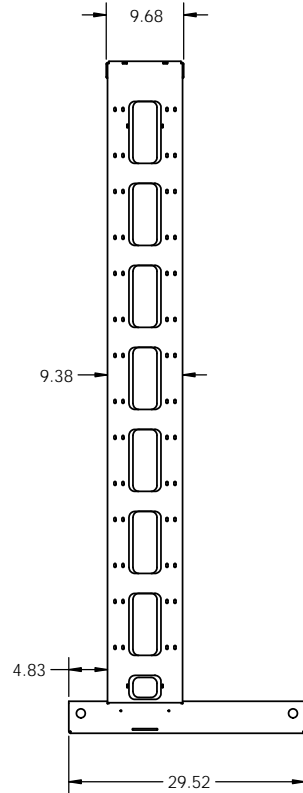


DETAIL B
SCALE 1 : 2

MASKED GROUND PROVISIONS FRONT AND REAR



SECTION A-A
SCALE 1 : 8



TITAN RACKS PART NUMBER LEGEND

TTN	B	75	084	A	A
	A	B	C	D	E
	A	M			
	072	084	087		
	30	45	60	75	
	A	B	E		

TTN TITAN RACK

BOLD FOR METRIC ETSI RACKS ONLY

CONFIGURATIONS TABLE			
PART NUMBER	HEIGHT (H)	RACK UNITS (RU) EIA WIDE	WEIGHT LBS.
TTNB75072Ax	72.00 IN.	37	170
TTNB75084Ax	84.00 IN.	44	183

**LAST DIGIT (X) OF THE ABOVE PART NUMBER REPRESENTS COLOR. SEE PART NUMBER LEGEND TO COMPLETE PART NUMBER.

Electronic Systems Support www.ess.to		3233 W. Kingsley Rd. Garland, Texas 75041 PH. 972-272-2468 FAX 972-276-9844	
PROPRIETARY AND CONFIDENTIAL THE INFORMATION CONTAINED IN THIS DRAWING IS THE SOLE PROPERTY OF ELECTRONIC SYSTEMS SUPPORT. ANY REPRODUCTION IN PART OR AS A WHOLE WITHOUT THE WRITTEN PERMISSION OF ELECTRONIC SYSTEMS SUPPORT IS PROHIBITED.	DRAWN: RNA ENG APPR:	NAME: RNA DATE: 11-09-15	TITLE: TITAN RACK, 23", 750MM BASE, EIA MTG. SIZE: C DWG. NO.: TTNB75xxxAx-SPEC SCALE: 1:12
UNLESS OTHERWISE SPECIFIED, DIMENSIONS ARE IN INCHES.			REV: A SHEET 1 OF 1