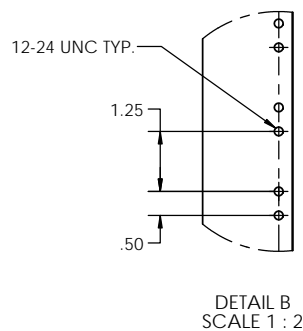
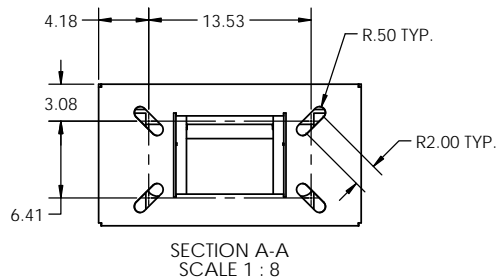
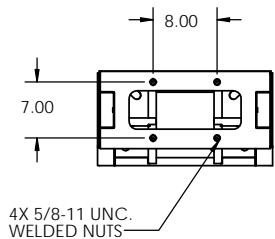
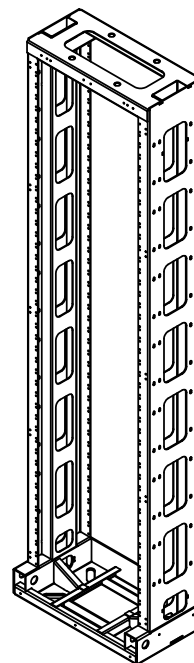
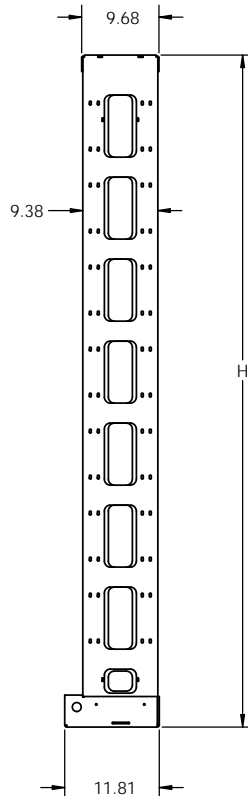
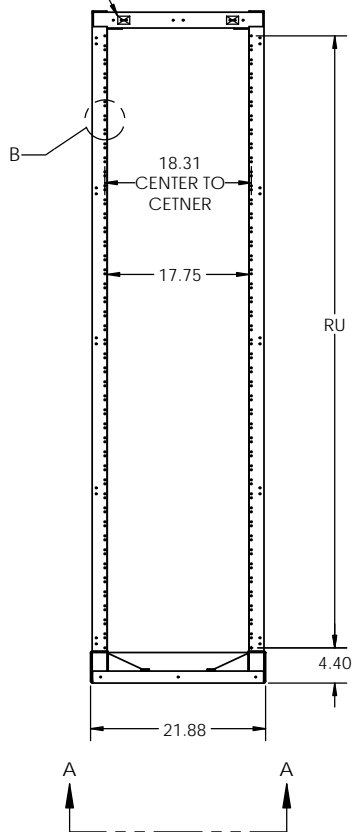


NOTES:

1. MATERIAL: HEAVY GAUGE WELDED STEEL FRAME
2. STANDARD FINISH: TELCO GRAY POWDER COAT (OTHER COLORS AVAILABLE)
3. TELCORDIA GR-63-CORE TESTED FOR SEISMIC ZONE 4 QUALIFICATION (HEIGHTS 84" AND UNDER ARE QUALIFIED UNDER CERTIFICATION).
4. TAPPED MOUNTING HOLES PROVIDED IN FRONT AND REAR FLANGES.
5. LOAD RATING: 925 LBS IN ZONE 4 SEISMIC AREAS (INCLUDES 50 LBS OF OVERHEAD CABLE).
6. HEIGHTS UNDER AND ABOVE THE LISTED HEIGHTS IN TABLE 1 ARE ALSO AVAILABLE. PLEASE CONSULT WITH SALES.



MASKED GROUND PROVISIONS FRONT AND REAR



TITAN RACKS PART NUMBER LEGEND

TTN	A	30	084	A	A
	A				
	B				
	C				
	D				
	E				
	F				
	A	EIA HOLE SPACING			
	M	METRIC			
	072	6'			
	084	7'			
	083	2100 MM			
	087	2200 MM			
	30	300 MM DEEP BASE			
	45	450 MM DEEP BASE			
	60	600 MM DEEP BASE			
	75	750 MM DEEP BASE			
	A	19" PANEL MOUNTING			
	B	23" PANEL MOUNTING			
	E	600 MM PANEL MOUNTING			

TTN TITAN RACK

BOLD FOR METRIC ETSI RACKS ONLY

CONFIGURATIONS TABLE			
PART NUMBER	HEIGHT (H)	RACK UNITS (RU) EIA WIDE	WEIGHT LBS.
TTNA30072Ax	72.00 IN.	37	122
TTNA30084Ax	84.00 IN.	44	135

**LAST DIGIT (X) OF THE ABOVE PART NUMBER REPRESENTS COLOR. SEE PART NUMBER LEGEND TO COMPLETE PART NUMBER.

Electronic Systems Support www.ess.to		3233 W. Kingsley Rd. Garland, Texas 75041 PH. 972-272-2468 FAX 972-276-9844	
PROPRIETARY AND CONFIDENTIAL THE INFORMATION CONTAINED IN THIS DRAWING IS THE SOLE PROPERTY OF ELECTRONIC SYSTEMS SUPPORT. ANY REPRODUCTION IN PART OR AS A WHOLE WITHOUT THE WRITTEN PERMISSION OF ELECTRONIC SYSTEMS SUPPORT IS PROHIBITED.		TITLE: TITAN RACK, 19", 300MM BASE, EIA MTG.	
DRAWN	RNA	DATE	11-09-15
ENG APPR			
UNLESS OTHERWISE SPECIFIED, DIMENSIONS ARE IN INCHES		SIZE	DWG. NO.
PROJECTION:		C	TTNA30xxxAx-SPEC
SCALE: 1:12		REV	A
SHEET 1 OF 1			