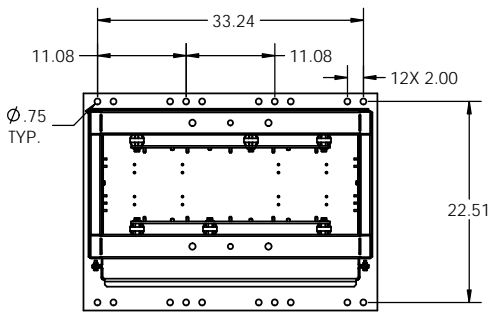
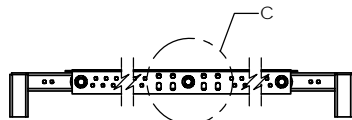


NOTES:

1. RACK HAS BEEN CERTIFIED TO GR-63-CORE SEISMIC ZONE 4 BY AN INDEPENDENT LABORATORY.
 2. FINISH: GRAY POWDER COAT FINISH.
 3. OUTPUT BUS BARS ARE LOCATED ON THE TOP COVERED BY A REMOVABLE SHIELD.
 4. OPTIONAL CIRCUIT BREAKERS AVAILABLE FOR EACH STRING. SEE PART NUMBER LEGEND.
 5. RACK SHIPS PRE-WIRED AND PRE-ASSEMBLED.
6. SEE TABLE 1 FOR APPROXIMATE MINIMUM RACK WEIGHT (INCLUDING CABLES). WEIGHT WILL VARY DEPENDING ON SIZE OF CABLES AND BREAKERS. WEIGHTS SHOWN ARE BASED ON 48V CONFIGURATION WITH #4 CABLE.
 7. 2 POSITION FOR $\varnothing 3/8"$ BOLT ON $3/4"$ OR $1.0"$ CENTERS PROVIDED ON POSITIVE AND NEGATIVE BUS BARS.
 8. 100A BREAKERS ARE IN STOCK. LEAD TIME WILL VARY FOR OTHER BREAKER SIZES.
 9. ADD "W" AT THE END OF PART NUMBER FOR BREAKER ALARM WIRED (NC SIGNAL). CUSTOM COLORS ARE AVAILABLE UPON REQUEST. CALL SALES FOR MORE INFO.
 10. DIMENSION SHOWN DOES NOT INCLUDE BREAKERS. BREAKERS WILL INCREASE WIDTH DIMENSION.



TOP VIEW
PLASTIC SHIELDS NOT SHOWN
BUS BAR MAY VARY IN DESIGN
DEPENDING ON CABLE SIZES



SECTION B-B
SCALE 1 : 8

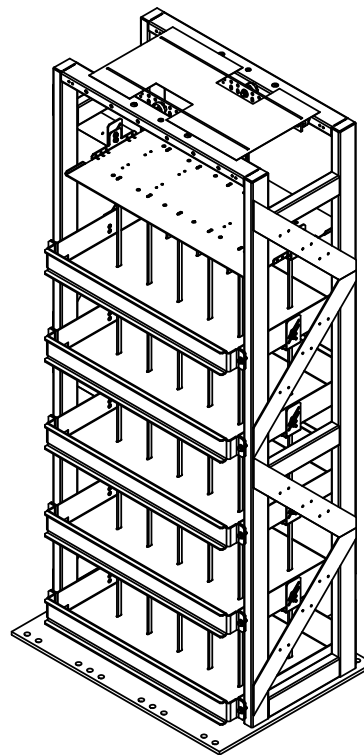
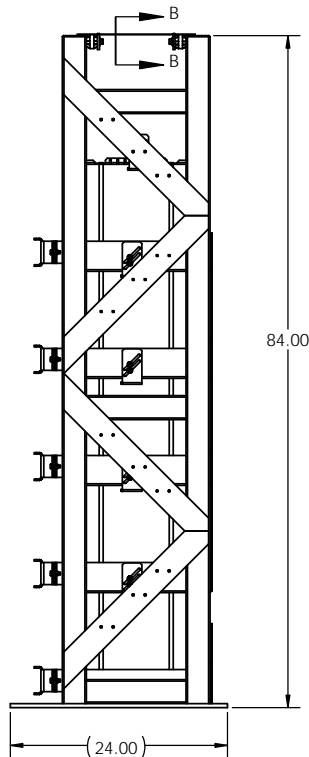
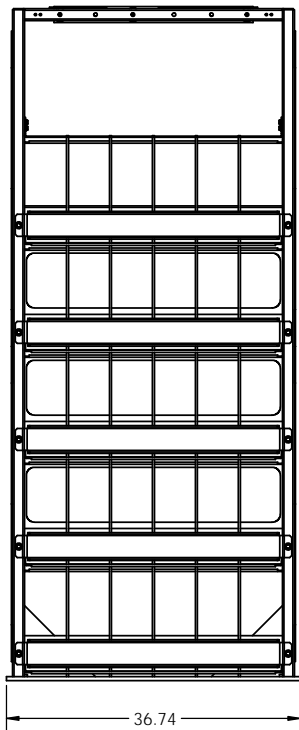
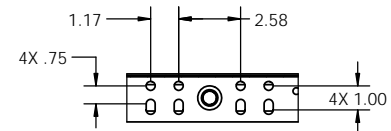
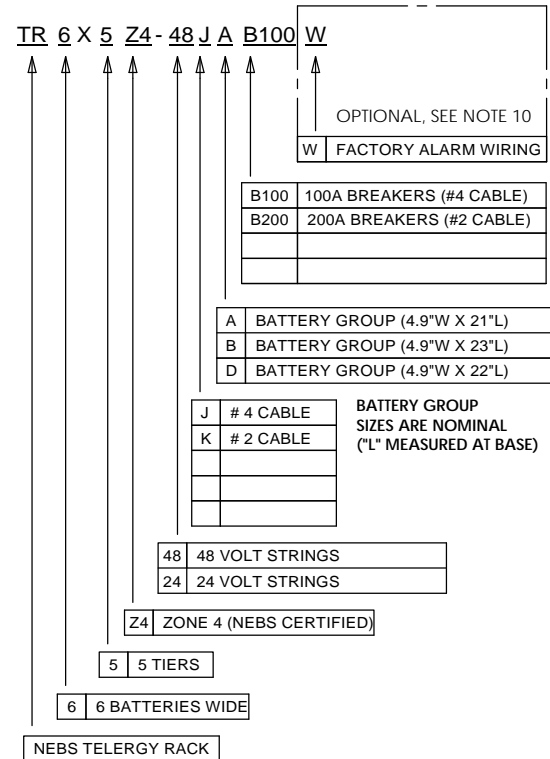


TABLE 1		
MODEL NO.	DESCRIPTION (CABLE GAUGE)	APPROXIMATE MINIMUM RACK WEIGHT (CABLES INCLUDED)
TR6X5Z4-48xxxxxx	#4 CABLE	653 LBS
TR6X5Z4-48xxxxxx	#2 CABLE	663 LBS
TR6X5Z4-24xxxxxx	#4 CABLE	663 LBS
TR6X5Z4-24xxxxxx	#2 CABLE	683 LBS

PART NUMBER LEGEND



DETAIL C
SCALE 1 : 4
CUSTOMER INTERFACE, 2 PER POLARITY
TYP FOR ALL CONFIGURATIONS

DIMENSIONS SHOWN ARE CURRENT AND ARE SUBJECT TO CHANGE WITHOUT NOTICE.

PROPRIETARY AND CONFIDENTIAL
THE INFORMATION CONTAINED IN THIS DRAWING IS THE SOLE PROPERTY OF ELECTRONIC SYSTEMS SUPPORT. ANY REPRODUCTION IN PART OR AS A WHOLE WITHOUT THE WRITTEN PERMISSION OF ELECTRONIC SYSTEMS SUPPORT IS PROHIBITED.

UNLESS OTHERWISE SPECIFIED: DIMENSIONS ARE IN INCHES		Electronic Systems Support www.ess.to		3233 W. Kingsley Rd. Garland, Texas 75041 PH. 972-272-2468 FAX 972-276-9844	
TITLE: CUSTOMER DRAWING, NEBS SEISMIC RACK 6X5 TELERGY					
PROJECTION:	NAME:	DATE:	SIZE: C	DWG. NO.: TR6X5Z4-SPEC	REV: A
DRAWN BY: RNA	DATE: 10-04-17		SCALE: 1:10		SHEET 1 OF 1