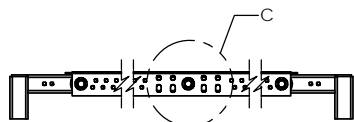
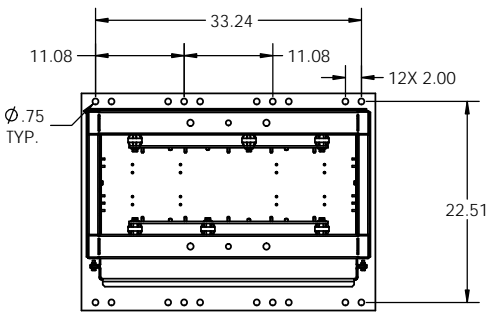


NOTES:

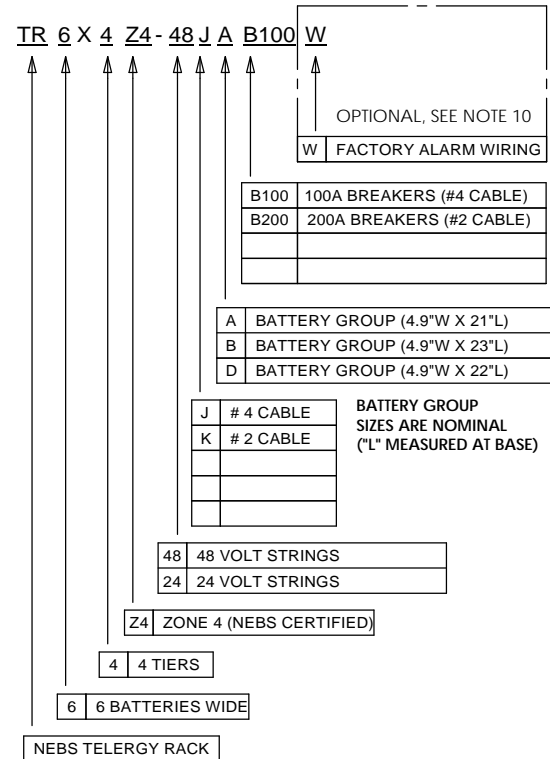
1. RACK HAS BEEN CERTIFIED TO GR-63-CORE SEISMIC ZONE 4 BY AN INDEPENDENT LABORATORY.
 2. FINISH: GRAY POWDER COAT FINISH.
 3. OUTPUT BUS BARS ARE LOCATED ON THE TOP COVERED BY A REMOVABLE SHIELD.
 4. OPTIONAL CIRCUIT BREAKERS AVAILABLE FOR EACH STRING. SEE PART NUMBER LEGEND.
 5. RACK SHIPS PRE-WIRED AND PRE-ASSEMBLED.
6. SEE TABLE 1 FOR APPROXIMATE MINIMUM RACK WEIGHT (INCLUDING CABLES). WEIGHT WILL VARY DEPENDING ON SIZE OF CABLES AND BREAKERS. WEIGHTS SHOWN ARE BASED ON 48V CONFIGURATION WITH #4 CABLE.
 7. 2 POSITION FOR $\varnothing 3/8"$ BOLT ON $3/4"$ OR $1.0"$ CENTERS PROVIDED ON POSITIVE AND NEGATIVE BUS BARS.
 8. 100A BREAKERS ARE IN STOCK. LEAD TIME WILL VARY FOR OTHER BREAKER SIZES.
 9. ADD "W" AT THE END OF PART NUMBER FOR BREAKER ALARM WIRED (NC SIGNAL). CUSTOM COLORS ARE AVAILABLE UPON REQUEST. CALL SALES FOR MORE INFO.
 10. DIMENSION SHOWN DOES NOT INCLUDE BREAKERS. BREAKERS WILL INCREASE WIDTH DIMENSION.



SECTION B-B
SCALE 1 : 8

TABLE 1		
MODEL NO.	DESCRIPTION (CABLE GAUGE)	APPROXIMATE MINIMUM RACK WEIGHT (CABLES INCLUDED)
TR6X4Z4-48xxxxxx	#4 CABLE	573 LBS
TR6X4Z4-48xxxxxx	#2 CABLE	583 LBS
TR6X4Z4-24xxxxxx	#4 CABLE	583 LBS
TR6X4Z4-24xxxxxx	#2 CABLE	603 LBS

PART NUMBER LEGEND



A	BATTERY GROUP (4.9"W X 21"L)
B	BATTERY GROUP (4.9"W X 23"L)
D	BATTERY GROUP (4.9"W X 22"L)

J	# 4 CABLE	BATTERY GROUP SIZES ARE NOMINAL ("L" MEASURED AT BASE)
K	# 2 CABLE	

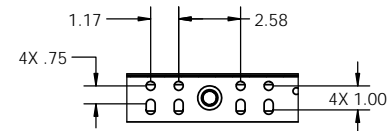
48	48 VOLT STRINGS
24	24 VOLT STRINGS

Z4	ZONE 4 (NEBS CERTIFIED)
----	-------------------------

4	4 TIERS
---	---------

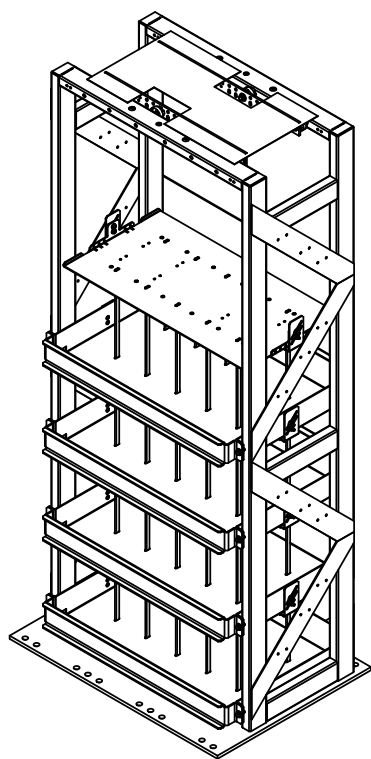
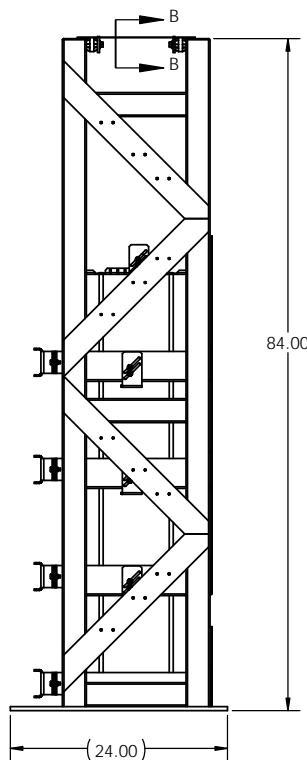
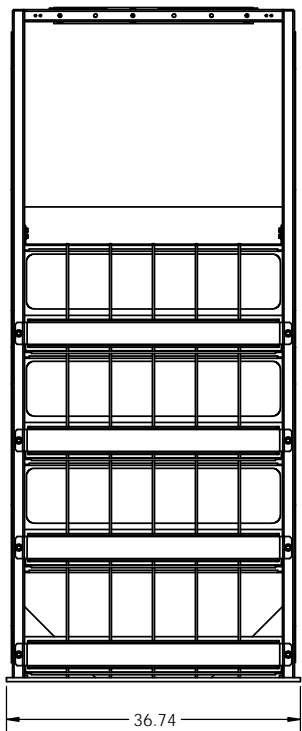
6	6 BATTERIES WIDE
---	------------------

NEBS TELERGY RACK



DETAIL C
SCALE 1 : 4
CUSTOMER INTERFACE, 2 PER POLARITY
TYP FOR ALL CONFIGURATIONS

TOP VIEW
PLASTIC SHIELDS NOT SHOWN
BUS BAR MAY VARY IN DESIGN
DEPENDING ON CABLE SIZES



DIMENSIONS SHOWN ARE CURRENT AND ARE SUBJECT TO CHANGE WITHOUT NOTICE.

PROPRIETARY AND CONFIDENTIAL
THE INFORMATION CONTAINED IN THIS DRAWING IS THE SOLE PROPERTY OF ELECTRONIC SYSTEMS SUPPORT. ANY REPRODUCTION IN PART OR AS A WHOLE WITHOUT THE WRITTEN PERMISSION OF ELECTRONIC SYSTEMS SUPPORT IS PROHIBITED.

UNLESS OTHERWISE SPECIFIED: DIMENSIONS ARE IN INCHES		Electronic Systems Support www.ess.to		3233 W. Kingsley Rd. Garland, Texas 75041 PH. 972-272-2468 FAX 972-276-9844	
TITLE: CUSTOMER DRAWING, NEBS SEISMIC RACK 6X4 TELERGY					
PROJECTION:	NAME:	DATE:	SIZE: C	DWG. NO.: TR6X4Z4-SPEC	REV: A
DRAWN BY: RNA	11/15/17		SCALE: 1:10		SHEET 1 OF 1