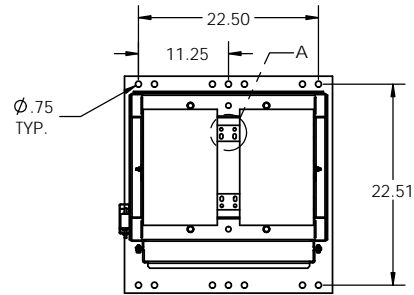
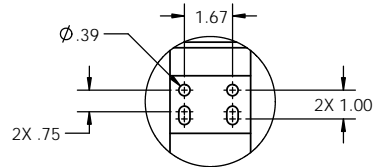


NOTES:

- RACK HAS BEEN CERTIFIED NEBS COMPLIANT BY AN INDEPENDENT LABORATORY TO THE FOLLOWING SPECS:
GR-63-CORE, ISSUE 4, 2012, SECTIONS 2, 3, 4.2, 4.3 (SEISMIC ZONE 4)
GR63-1089-CORE, ISSUE 6, 2011, SECTION 9.
- FINISH: GRAY POWDER COAT FINISH.
- OUTPUT BUS BARS ARE LOCATED ON THE TOP COVERED BY A REMOVABLE SHIELD.
- OPTIONAL CIRCUIT BREAKERS AVAILABLE FOR EACH STRING. SEE PART NUMBER LEGEND.
- RACK SHIPS PRE-WIRED AND PRE-ASSEMBLED.
- SEE TABLE 1 FOR APPROXIMATE MINIMUM RACK WEIGHT (INCLUDING CABLES). WEIGHT WILL VARY DEPENDING ON SIZE OF BREAKERS. WEIGHTS SHOWN ARE BASED ON SINGLE POLE 100A BREAKERS.
- 2 POSITION FOR $\phi 3/8"$ BOLT ON $3/4"$ OR $1.0"$ CENTERS PROVIDED ON POSITIVE AND NEGATIVE BUS BARS.
- 100A BREAKERS ARE IN STOCK. LEAD TIME WILL VARY FOR OTHER BREAKER SIZES.
- ADD "W" AT THE END OF PART NUMBER FOR BREAKER ALARM WIRED (NC SIGNAL). CUSTOM COLORS ARE AVAILABLE UPON REQUEST. CALL SALES FOR MORE INFO.
- DRAWING IS SUBJECT TO CHANGE WITHOUT NOTICE.



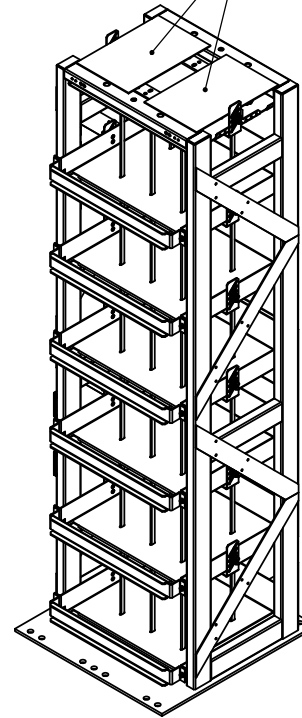
TOP VIEW
PLASTIC SHIELDS NOT SHOWN
BUS BAR MAY VARY IN DESIGN
DEPENDING ON CABLE SIZES



DETAIL A
SCALE 3 : 10
CUSTOMER INTERFACE,
1 PER POLARITY
TYP FOR ALL CONFIGURATIONS
(MAXIMUM LUG TONGUE WIDTH:
1.61" FOR 2 EA. 500 KCMIL LUGS
OR
1.94" FOR 1 EA. 750 KCMIL LUG)

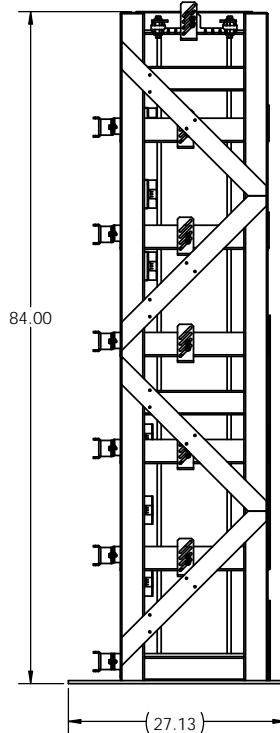
TABLE 1		
MODEL NO.	DESCRIPTION (CABLE GAUGE)	APPROXIMATE MINIMUM RACK WEIGHT (CABLES INCLUDED)
TR4X6Z4-48xxxxxx	#4 CABLE	492 lbs
TR4X6Z4-48xxxxxx	#2 CABLE	496 lbs
TR4X6Z4-48xxxxxx	1/0 CABLE	505lbs
TR4X6Z4-48xxxxxx	2/0 CABLE	512 lbs
TR4X6Z4-48xxxxxx	4/0 CABLE	528 lbs
TR4X6Z4-24xxxxxx	#4 CABLE	504 lbs
TR4X6Z4-24xxxxxx	#2 CABLE	513 lbs

BUS BAR SHIELDS



BREAKER DIM "B"	
100A	.62
200A	1.40
250A	1.60
350A	3.10

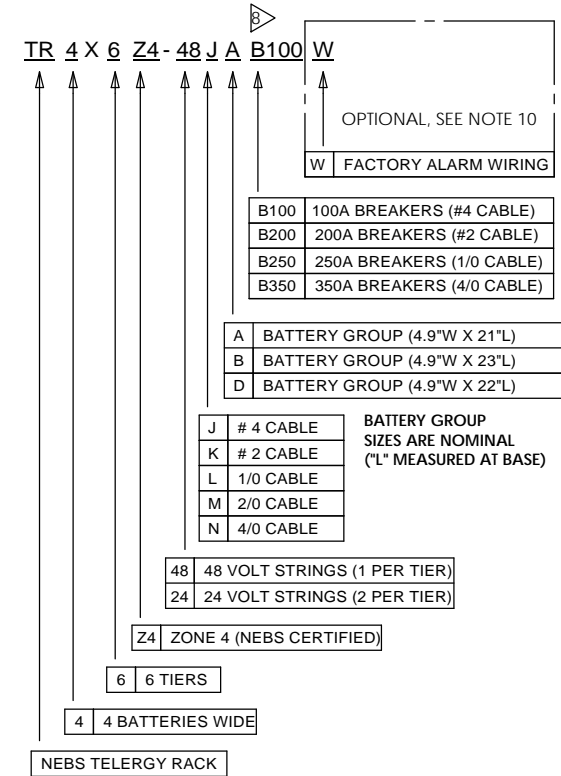
**NOTE:
FOR 24V SYSTEMS,
ADD DIM ABOVE
TO THE RIGHT SIDE
OF THE RACK AS WELL



"B" 26.00

DIMENSIONS SHOWN ARE CURRENT AND ARE SUBJECT TO CHANGE WITHOUT NOTICE.

PART NUMBER LEGEND

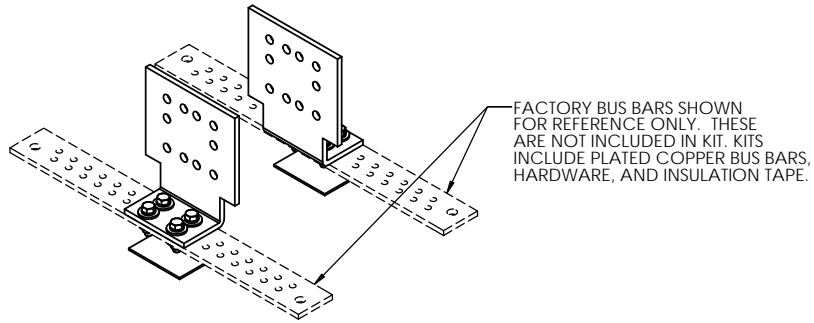


SEE PAGE 2 FOR ADDITIONAL ACCESSORIES

PROPRIETARY AND CONFIDENTIAL
THE INFORMATION CONTAINED IN THIS
DRAWING IS THE SOLE PROPERTY OF
ELECTRONIC SYSTEMS SUPPORT. ANY
REPRODUCTION IN PART OR AS A WHOLE
WITHOUT THE WRITTEN PERMISSION OF
ELECTRONIC SYSTEMS SUPPORT IS
PROHIBITED.

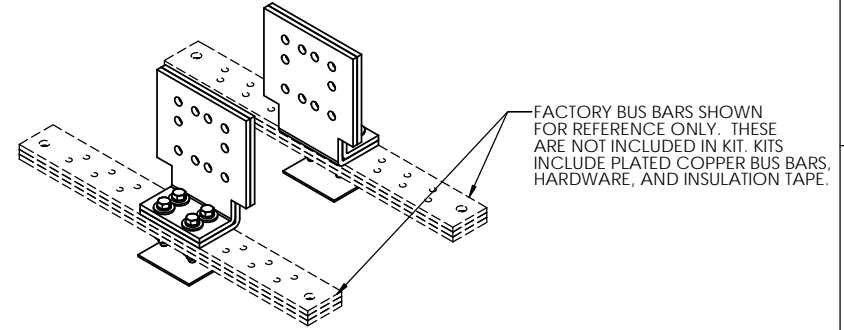
UNLESS OTHERWISE SPECIFIED: DIMENSIONS ARE IN INCHES		Electronic Systems Support www.ess.to		3233 W. Kingsley Rd. Garland, Texas 75041 PH. 972-272-2468 FAX 972-276-9844	
TITLE: CUSTOMER DRAWING, NEBS SEISMIC RACK 4X6 TELERGY					
PROJECTION:	NAME: RNA	DATE: 07-17-17	SIZE: C	DWG. NO.: TR4X6Z4-SPEC	REV: C
SCALE: 1:10			SHEET 1 OF 4		

ADDITIONAL ACCESSORIES AVAILABLE



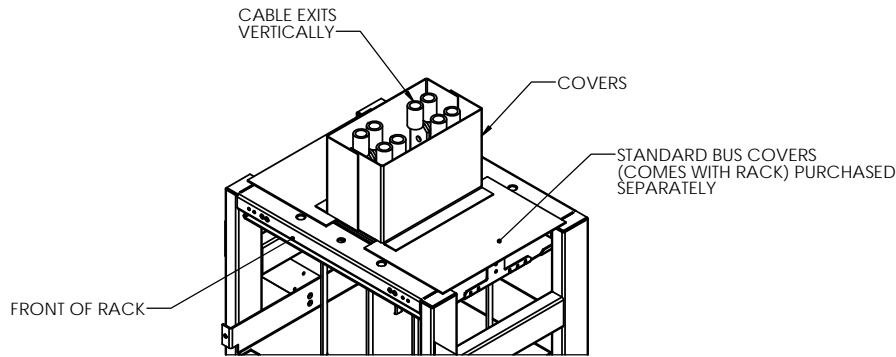
KIT-023200 - BUS BAR ADAPTER KIT, 1200 AMP CAPACITY

- LANDS UP TO 4 EA. 750 KCMIL (1 INCH CENTERS) LUGS (BACK TO BACK)
- HORIZONTAL OR VERTICAL CABLE LANDING
- 1 BUS BAR PER POLARITY INCLUDED IN KIT



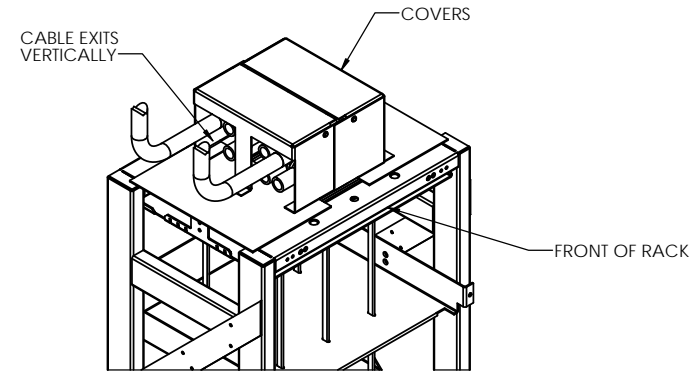
KIT-023300 - BUS BAR ADAPTER KIT, 2400 AMP CAPACITY

- LANDS UP TO 4 EA. 750 KCMIL (1 INCH CENTERS) LUGS (BACK TO BACK)
- HORIZONTAL OR VERTICAL CABLE LANDING
- 2 BUS BARS PER POLARITY INCLUDED IN KIT



KIT-034300 - COVER, BUS BAR ADAPTER, VERTICAL EXIT

- CAN BE USED WITH 1200A AND 2400A BUS KIT ADAPTERS



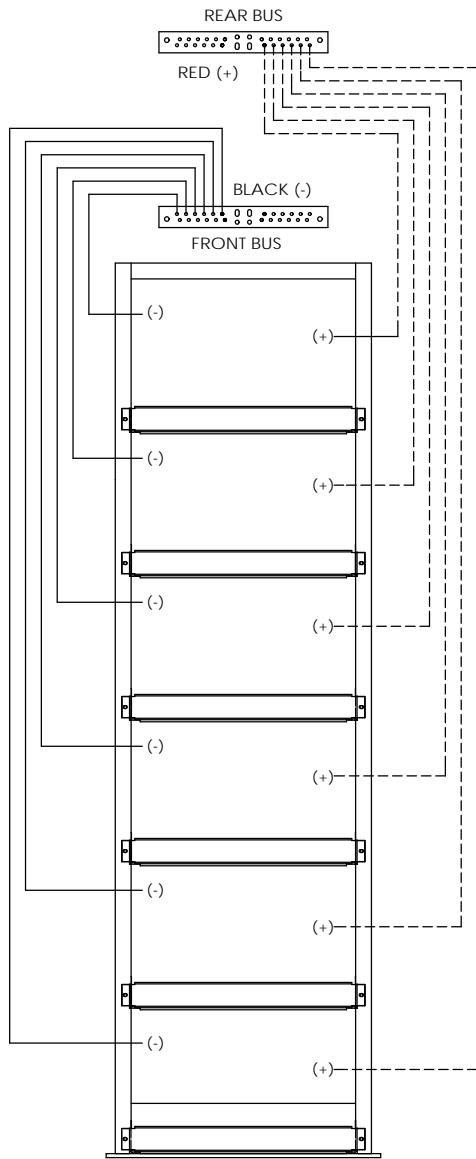
KIT-034400 - COVER, BUS BAR ADAPTER, HORIZONTAL EXIT

- SYMMETRICAL DESIGN ALLOWS CABLES TO EXIT FROM EITHER SIDE OF RACK
- CAN BE USED WITH 1200A AND 2400A BUS KIT ADAPTERS

PROPRIETARY AND CONFIDENTIAL
THE INFORMATION CONTAINED IN THIS DRAWING IS THE SOLE PROPERTY OF ELECTRONIC SYSTEMS SUPPORT. ANY REPRODUCTION IN PART OR AS A WHOLE WITHOUT THE WRITTEN PERMISSION OF ELECTRONIC SYSTEMS SUPPORT IS PROHIBITED.

UNLESS OTHERWISE SPECIFIED: DIMENSIONS ARE IN INCHES		 Electronic Systems Support www.ess.to		3233 W. Kingsley Rd. Garland, Texas 75041 PH. 972-272-2468 FAX 972-276-9844	
TITLE: CUSTOMER DRAWING, NEBS SEISMIC RACK 4X6 TELERGY					
PROJECTION: 	NAME: RNA	DATE: 07-17-17	SIZE: C	DWG. NO. TR4X6Z4-SPEC	REV C
SCALE: 1:4				SHEET 2 OF 4	

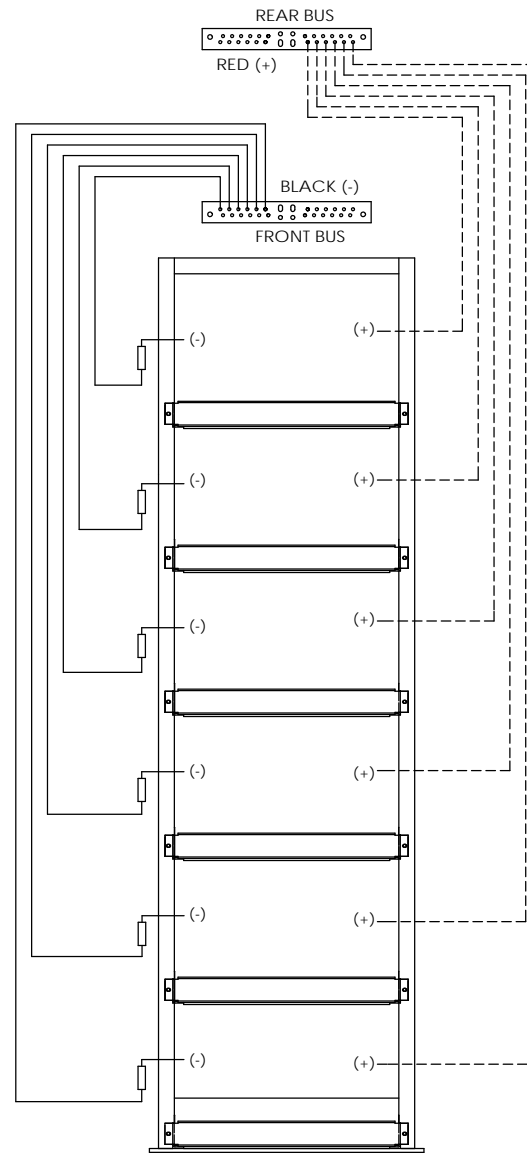
6 TIER -48V NO BREAKERS



FRONT VIEW

VIEW SHOWN REPRESENTS SYSTEMS WITH #4 AND #2 CABLE. SYSTEMS USING 1/0 AND 4/0 CABLE WILL HAVE SLIGHTLY DIFFERENT BUS BAR DESIGN BUT CABLE ROUTING WILL BE SIMILAR.

6 TIER -48V WITH BREAKER



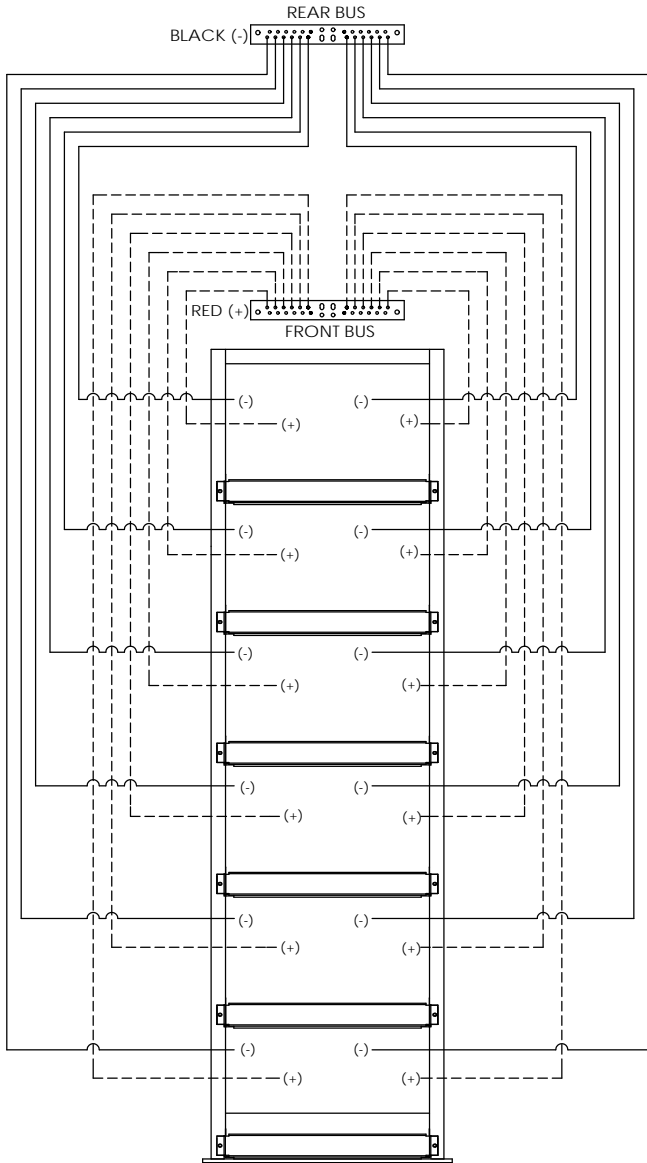
FRONT VIEW

VIEW SHOWN REPRESENTS SYSTEMS WITH #4 AND #2 CABLE. SYSTEMS USING 1/0 AND 4/0 CABLE WILL HAVE SLIGHTLY DIFFERENT BUS BAR DESIGN BUT CABLE ROUTING WILL BE SIMILAR.

PROPRIETARY AND CONFIDENTIAL
 THE INFORMATION CONTAINED IN THIS DRAWING IS THE SOLE PROPERTY OF ELECTRONIC SYSTEMS SUPPORT. ANY REPRODUCTION IN PART OR AS A WHOLE WITHOUT THE WRITTEN PERMISSION OF ELECTRONIC SYSTEMS SUPPORT IS PROHIBITED.

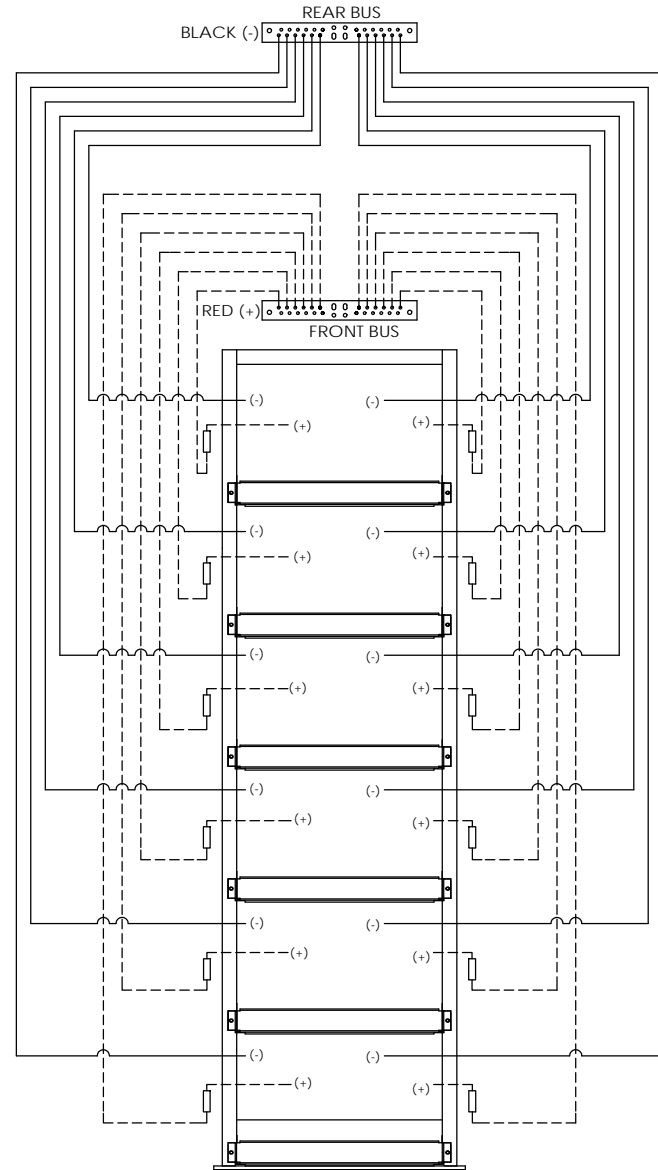
UNLESS OTHERWISE SPECIFIED: DIMENSIONS ARE IN INCHES		 Electronic Systems Support www.ess.to		3233 W. Kingsley Rd. Garland, Texas 75041 PH. 972-272-2468 FAX 972-276-9844	
TITLE: CUSTOMER DRAWING, NEBS SEISMIC RACK 4X6 TELERGY					
PROJECTION: 	NAME:	DATE:	SIZE: C	DWG. NO.: TR4X6Z4-SPEC	REV: C
DRAWN BY: RNA	DATE: 07-17-17		SCALE: 1:10	SHEET 3 OF 4	

6 TIER 24V NO BREAKER



FRONT VIEW

6 TIER 24V WITH BREAKER



FRONT VIEW

PROPRIETARY AND CONFIDENTIAL
THE INFORMATION CONTAINED IN THIS DRAWING IS THE SOLE PROPERTY OF ELECTRONIC SYSTEMS SUPPORT. ANY REPRODUCTION IN PART OR AS A WHOLE WITHOUT THE WRITTEN PERMISSION OF ELECTRONIC SYSTEMS SUPPORT IS PROHIBITED.

UNLESS OTHERWISE SPECIFIED: DIMENSIONS ARE IN INCHES	
PROJECTION:	
NAME:	
DATE:	07-17-17
DRAWN BY:	RNA



3233 W. Kingsley Rd.
Garland, Texas 75041
PH. 972-272-2468
FAX 972-276-9844

TITLE:
CUSTOMER DRAWING, NEBS SEISMIC RACK
4X6 TELERGY

SIZE	DWG. NO.	REV
C	TR4X6Z4-SPEC	C
SCALE: 1:10		SHEET 4 OF 4