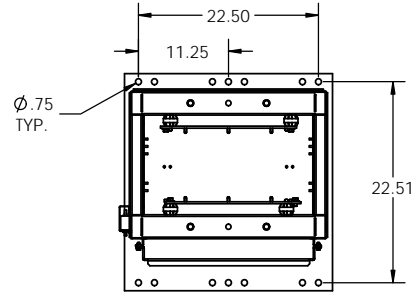
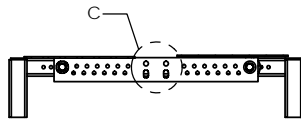


**NOTES:**

- RACK HAS BEEN CERTIFIED NEBS COMPLIANT BY AN INDEPENDENT LABORATORY TO THE FOLLOWING SPECS:  
GR-63-CORE, ISSUE 4, 2012, SECTIONS 2, 3, 4.2, 4.3 (SEISMIC ZONE 4)  
GR63-1089-CORE, ISSUE 6, 2011, SECTION 9.
- FINISH: GRAY POWDER COAT FINISH.
- OUTPUT BUS BARS ARE LOCATED ON THE TOP COVERED BY A REMOVABLE SHIELD.
- OPTIONAL CIRCUIT BREAKERS AVAILABLE FOR EACH STRING. SEE PART NUMBER LEGEND.
- RACK SHIPS PRE-WIRED AND PRE-ASSEMBLED.
- SEE TABLE 1 FOR APPROXIMATE MINIMUM RACK WEIGHT (INCLUDING CABLES). WEIGHT WILL VARY DEPENDING ON SIZE OF BREAKERS. WEIGHTS SHOWN ARE BASED ON SINGLE POLE 100A BREAKERS.
- 2 POSITION FOR  $\phi 3/8"$  BOLT ON  $3/4"$  OR  $1.0"$  CENTERS PROVIDED ON POSITIVE AND NEGATIVE BUS BARS.
- 100A BREAKERS ARE IN STOCK. LEAD TIME WILL VARY FOR OTHER BREAKER SIZES.
- ADD "W" AT THE END OF PART NUMBER FOR BREAKER ALARM WIRED (NC SIGNAL). CUSTOM COLORS ARE AVAILABLE UPON REQUEST. CALL SALES FOR MORE INFO.
- DRAWING IS SUBJECT TO CHANGE WITHOUT NOTICE.

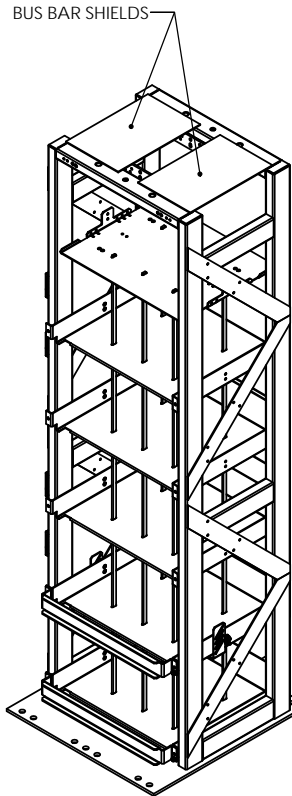


TOP VIEW  
PLASTIC SHIELDS NOT SHOWN  
BUS BAR MAY VARY IN DESIGN  
DEPENDING ON CABLE SIZES



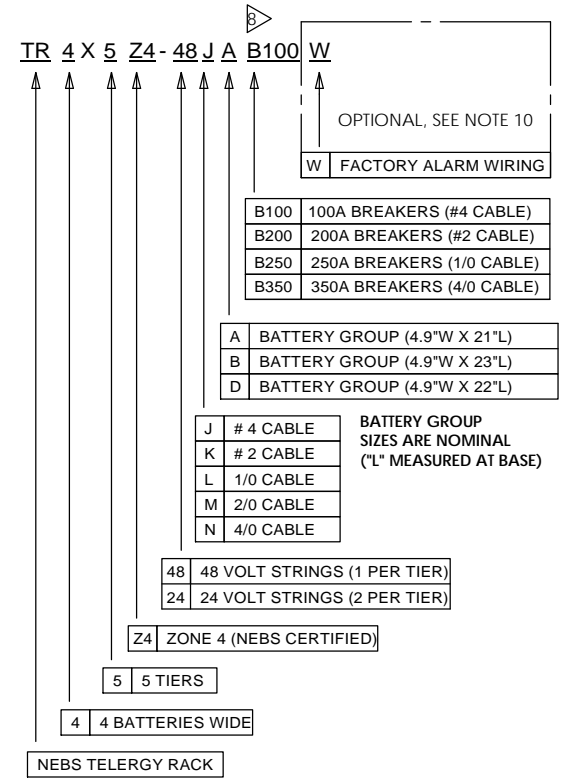
SECTION B-B  
SCALE 1 : 8

TABLE 1		
MODEL NO.	DESCRIPTION (CABLE GAUGE)	APPROXIMATE MINIMUM RACK WEIGHT (CABLES INCLUDED)
TR4X5Z4-48xxxxxx	#4 CABLE	424 lbs
TR4X5Z4-48xxxxxx	#2 CABLE	427 lbs
TR4X5Z4-48xxxxxx	1/0 CABLE	434 lbs
TR4X5Z4-48xxxxxx	2/0 CABLE	439 lbs
TR4X5Z4-48xxxxxx	4/0 CABLE	451 lbs
TR4X5Z4-24xxxxxx	#4 CABLE	433 lbs
TR4X5Z4-24xxxxxx	#2 CABLE	439 lbs



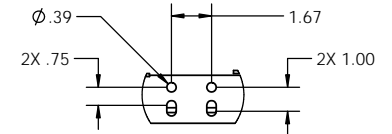
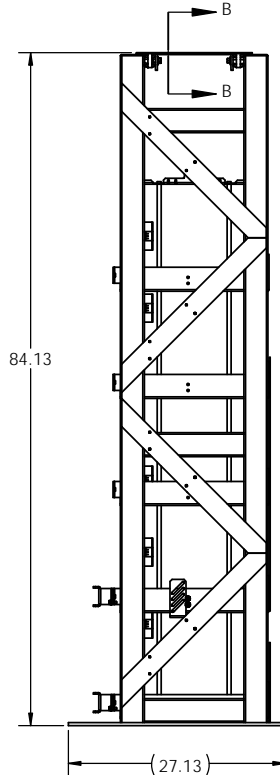
BUS BAR SHIELDS

**PART NUMBER LEGEND**



BREAKER DIM "B"	
100A	.62
200A	1.40
250A	1.60
350A	3.10

\*\*NOTE:  
FOR 24V SYSTEMS,  
ADD DIM ABOVE  
TO THE RIGHT SIDE  
OF THE RACK AS WELL



DETAIL C  
SCALE 1 : 4

CUSTOMER INTERFACE,  
1 PER POLARITY  
TYP FOR ALL CONFIGURATIONS  
(MAXIMUM LUG TONGUE WIDTH:  
1.61" FOR 2 EA. 500 KCMIL LUGS  
OR  
1.94" FOR 1 EA. 750 KCMIL LUG)

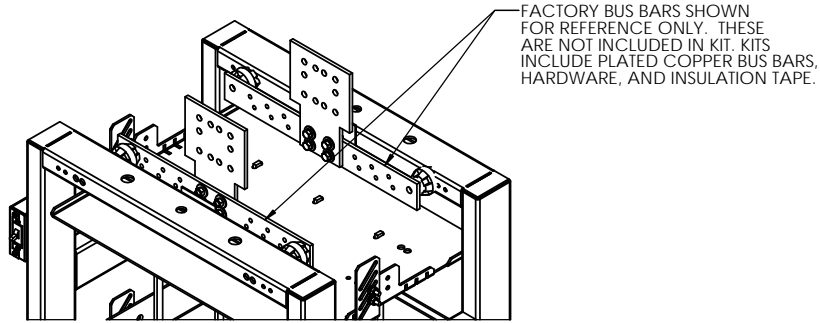
**SEE PAGE 2 FOR ADDITIONAL ACCESSORIES**

DIMENSIONS SHOWN ARE CURRENT AND ARE SUBJECT TO CHANGE WITHOUT NOTICE.

PROPRIETARY AND CONFIDENTIAL  
THE INFORMATION CONTAINED IN THIS  
DRAWING IS THE SOLE PROPERTY OF  
ELECTRONIC SYSTEMS SUPPORT. ANY  
REPRODUCTION IN PART OR AS A WHOLE  
WITHOUT THE WRITTEN PERMISSION OF  
ELECTRONIC SYSTEMS SUPPORT IS  
PROHIBITED.

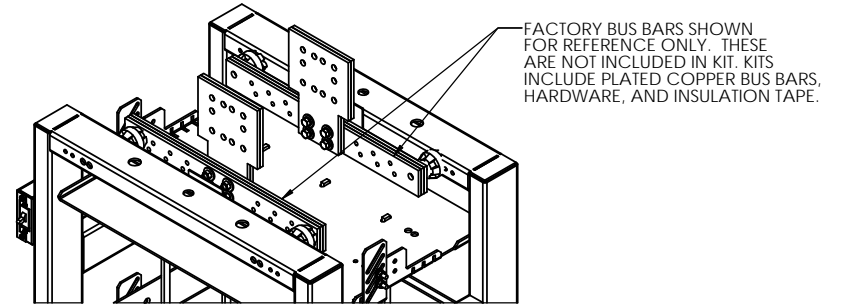
UNLESS OTHERWISE SPECIFIED: DIMENSIONS ARE IN INCHES		<b>Electronic Systems Support</b> www.ess.to		3233 W. Kingsley Rd. Garland, Texas 75041 PH. 972-272-2468 FAX 972-276-9844	
TITLE: CUSTOMER DRAWING, NEBS SEISMIC RACK 4X5 TELERGY					
PROJECTION: FIRST ANGLE	NAME: RNA	DATE: 07-17-17	SIZE: C	DWG. NO. TR4X5Z4-SPEC	REV C
SCALE: 1:10				SHEET 1 OF 4	

**ADDITIONAL ACCESSORIES AVAILABLE**



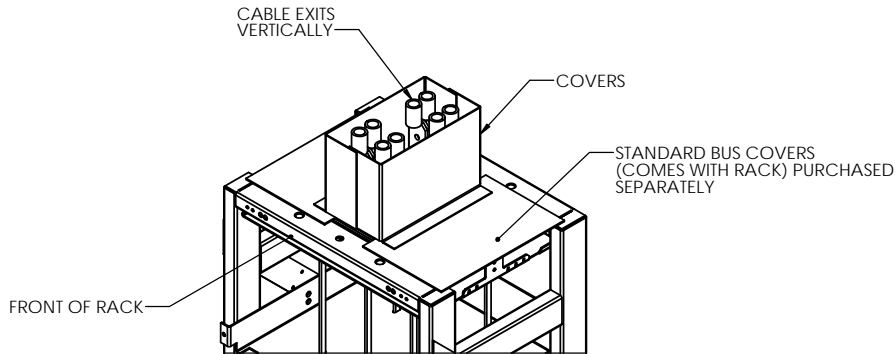
**KIT-027400 - BUS BAR ADAPTER KIT, VERTICAL MOUNTING, 1200 AMP CAPACITY**

- LANDS UP TO 4 EA. 750 KCMIL (1 INCH CENTERS) LUGS (BACK TO BACK)
- HORIZONTAL OR VERTICAL CABLE LANDING
- 1 BUS BAR PER POLARITY INCLUDED IN KIT



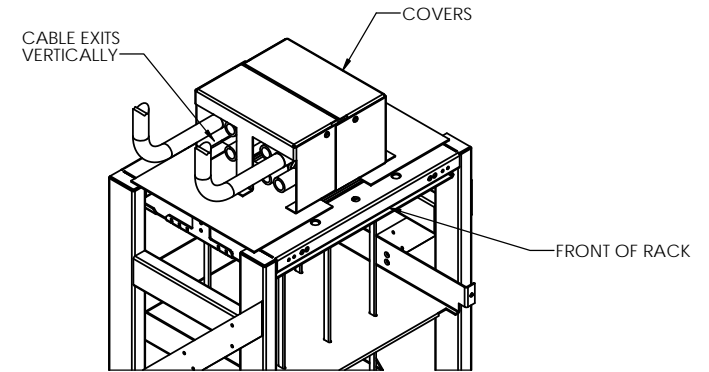
**KIT-027500 - BUS BAR ADAPTER KIT, VERTICAL MOUNTING, 2400 AMP CAPACITY**

- LANDS UP TO 4 EA. 750 KCMIL (1 INCH CENTERS) LUGS (BACK TO BACK)
- HORIZONTAL OR VERTICAL CABLE LANDING
- 2 BUS BARS PER POLARITY INCLUDED IN KIT



**KIT-034300 - COVER, BUS BAR ADAPTER, VERTICAL CABLE EXIT**

- CAN BE USED WITH 1200A AND 2400A BUS KIT ADAPTERS



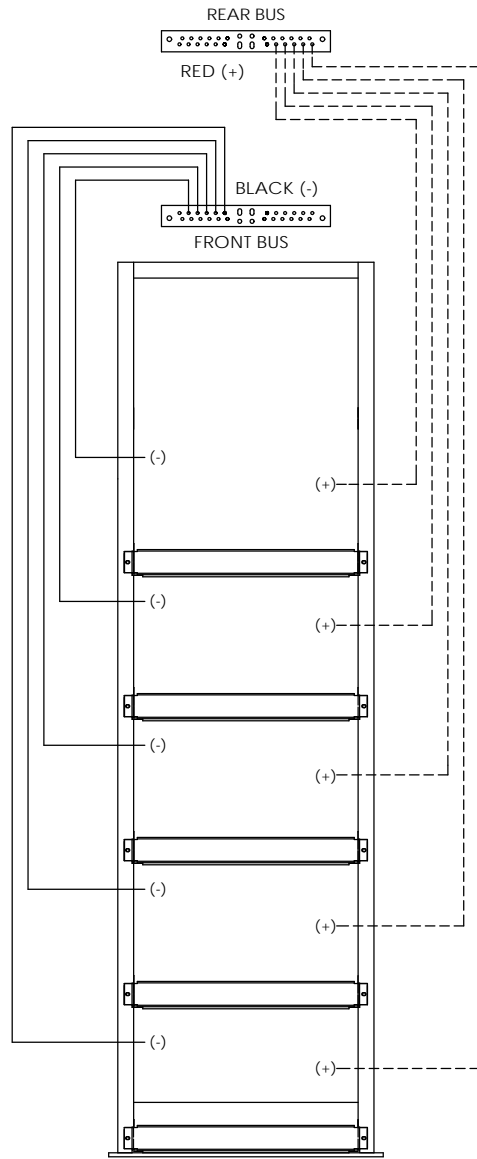
**KIT-034400 - COVER, BUS BAR ADAPTER, HORIZONTAL CABLE EXIT**

- SYMMETRICAL DESIGN ALLOWS CABLES TO EXIT FROM EITHER SIDE OF RACK
- CAN BE USED WITH 1200A AND 2400A BUS KIT ADAPTERS

PROPRIETARY AND CONFIDENTIAL  
THE INFORMATION CONTAINED IN THIS DRAWING IS THE SOLE PROPERTY OF ELECTRONIC SYSTEMS SUPPORT. ANY REPRODUCTION IN PART OR AS A WHOLE WITHOUT THE WRITTEN PERMISSION OF ELECTRONIC SYSTEMS SUPPORT IS PROHIBITED.

UNLESS OTHERWISE SPECIFIED: DIMENSIONS ARE IN INCHES		 <b>Electronic Systems Support</b> www.ess.to		3233 W. Kingsley Rd. Garland, Texas 75041 PH. 972-272-2468 FAX 972-276-9844	
TITLE: CUSTOMER DRAWING, NEBS SEISMIC RACK 4X5 TELERGY					
PROJECTION: 	NAME	DATE	SIZE <b>C</b>	DWG. NO. TR4X5Z4-SPEC	REV C
DRAWN BY RNA		07-17-17			SCALE: 1:4
					SHEET 2 OF 4

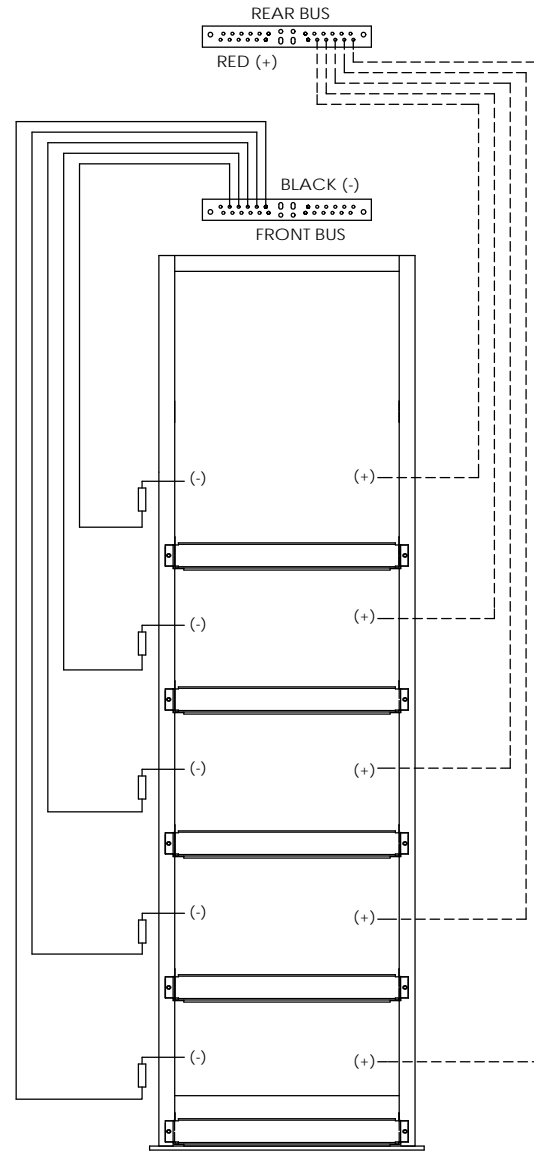
**5 TIER -48V NO BREAKERS**



**FRONT VIEW**

VIEW SHOWN REPRESENTS SYSTEMS WITH #4 AND #2 CABLE. SYSTEMS USING 1/0 AND 4/0 CABLE WILL HAVE SLIGHTLY DIFFERENT BUS BAR DESIGN BUT CABLE ROUTING WILL BE SIMILAR.

**5 TIER -48V WITH BREAKERS**



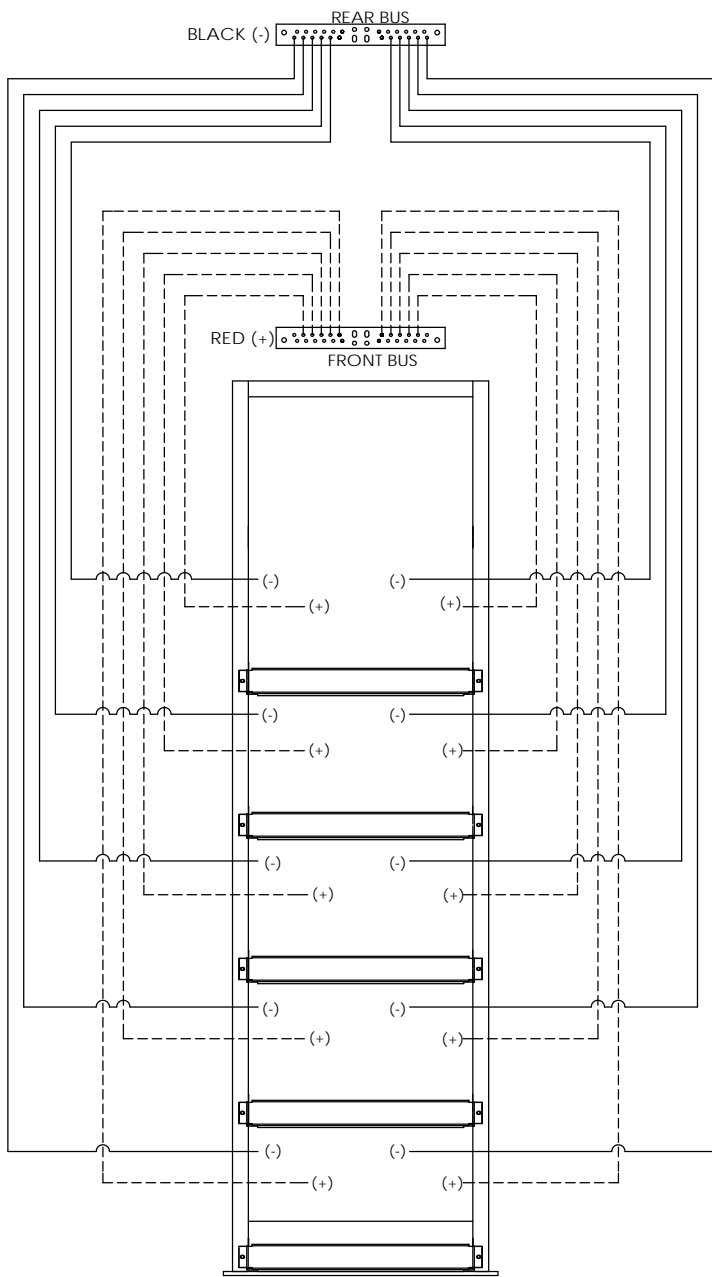
**FRONT VIEW**

VIEW SHOWN REPRESENTS SYSTEMS WITH #4 AND #2 CABLE. SYSTEMS USING 1/0 AND 4/0 CABLE WILL HAVE SLIGHTLY DIFFERENT BUS BAR DESIGN BUT CABLE ROUTING WILL BE SIMILAR.

**PROPRIETARY AND CONFIDENTIAL**  
THE INFORMATION CONTAINED IN THIS DRAWING IS THE SOLE PROPERTY OF ELECTRONIC SYSTEMS SUPPORT. ANY REPRODUCTION IN PART OR AS A WHOLE WITHOUT THE WRITTEN PERMISSION OF ELECTRONIC SYSTEMS SUPPORT IS PROHIBITED.

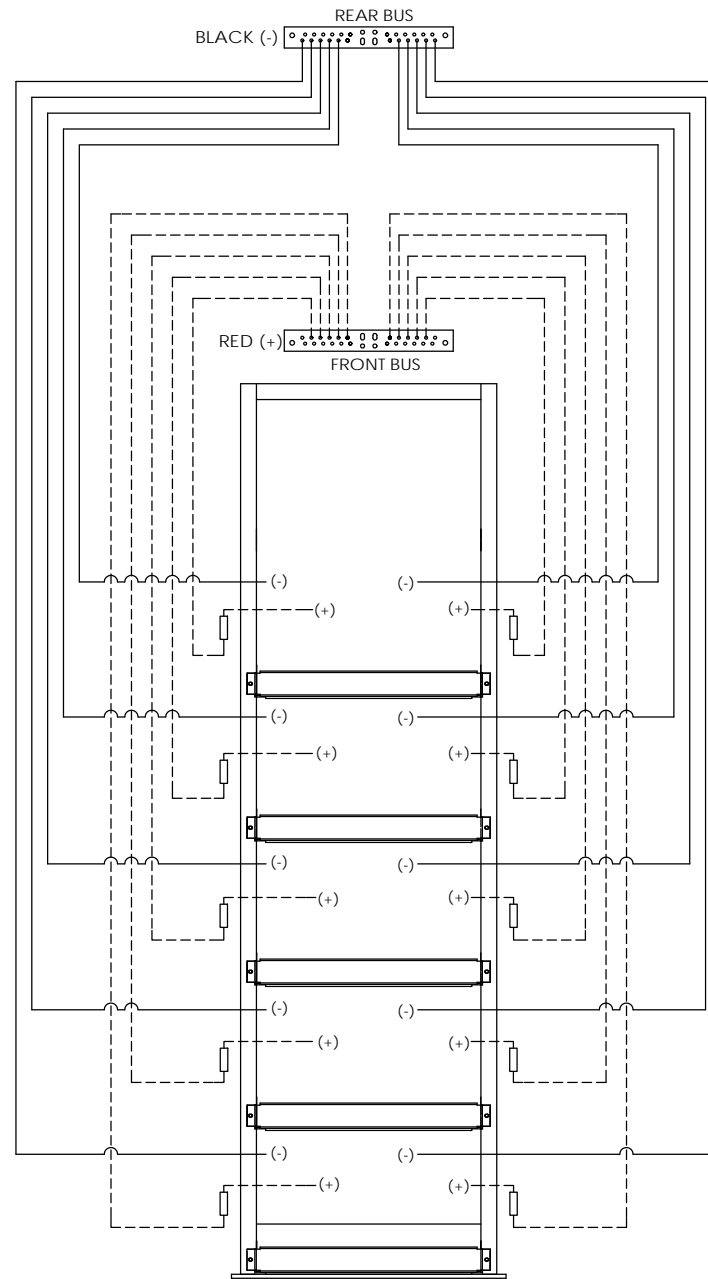
UNLESS OTHERWISE SPECIFIED: DIMENSIONS ARE IN INCHES		 <b>Electronic Systems Support</b> www.ess.to		3233 W. Kingsley Rd. Garland, Texas 75041 PH. 972-272-2468 FAX 972-276-9844	
TITLE: <b>CUSTOMER DRAWING, NEBS SEISMIC RACK 4X5 TELERGY</b>					
PROJECTION: 	NAME: RNA	DATE: 07-17-17	SIZE: <b>C</b>	DWG. NO. TR4X5Z4-SPEC	REV C
SCALE: 1:10				SHEET 3 OF 4	

5 TIER 24V NO BREAKER



FRONT VIEW

5 TIER 24V WITH BREAKER



FRONT VIEW

PROPRIETARY AND CONFIDENTIAL  
THE INFORMATION CONTAINED IN THIS DRAWING IS THE SOLE PROPERTY OF ELECTRONIC SYSTEMS SUPPORT. ANY REPRODUCTION IN PART OR AS A WHOLE WITHOUT THE WRITTEN PERMISSION OF ELECTRONIC SYSTEMS SUPPORT IS PROHIBITED.

UNLESS OTHERWISE SPECIFIED: DIMENSIONS ARE IN INCHES		<b>Electronic Systems Support</b> www.ess.to		3233 W. Kingsley Rd. Garland, Texas 75041 PH. 972-272-2468 FAX 972-276-9844	
TITLE: CUSTOMER DRAWING, NEBS SEISMIC RACK 4X5 TELERGY					
PROJECTION:	NAME:	DATE:	SIZE: <b>C</b>	DWG. NO.: TR4X5Z4-SPEC	REV: C
DRAWN BY: RNA	07-17-17		SCALE: 1:10	SHEET 4 OF 4	