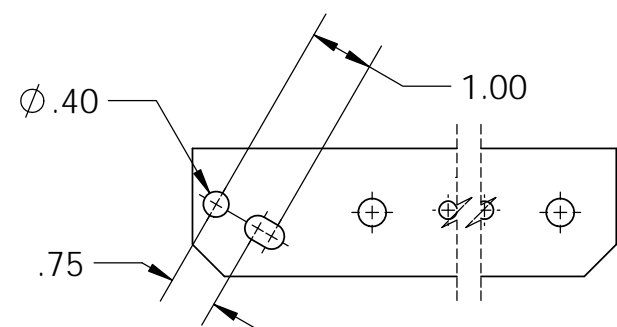
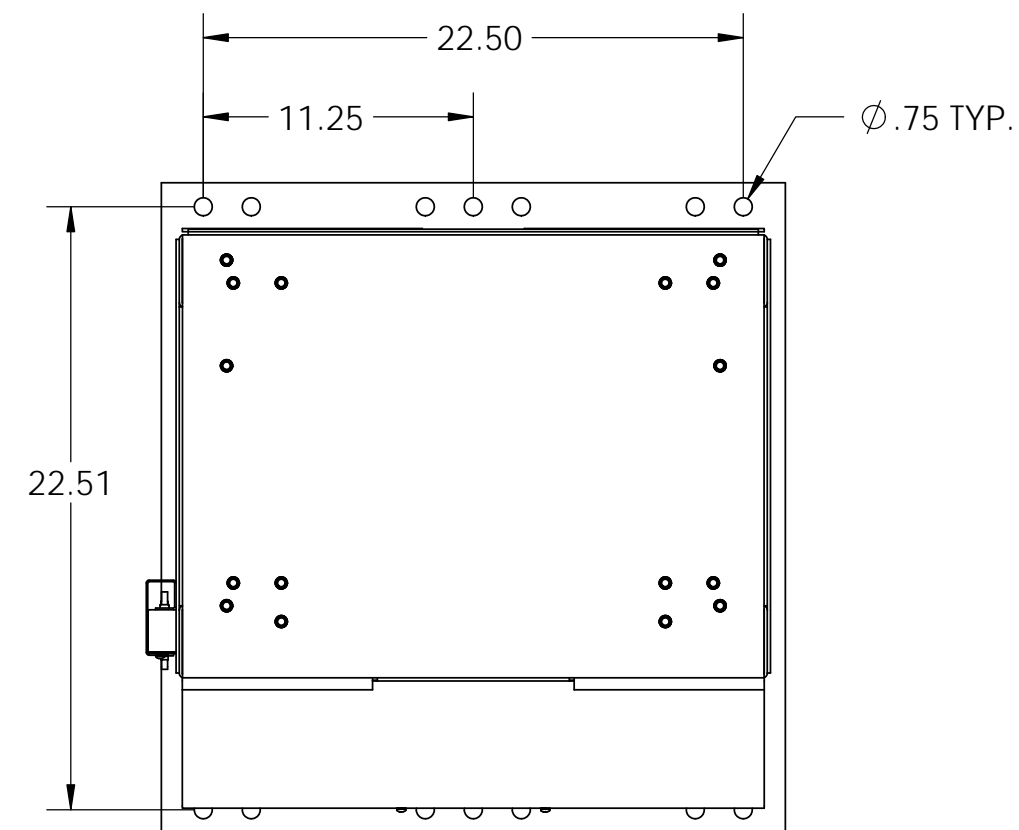


NOTES:

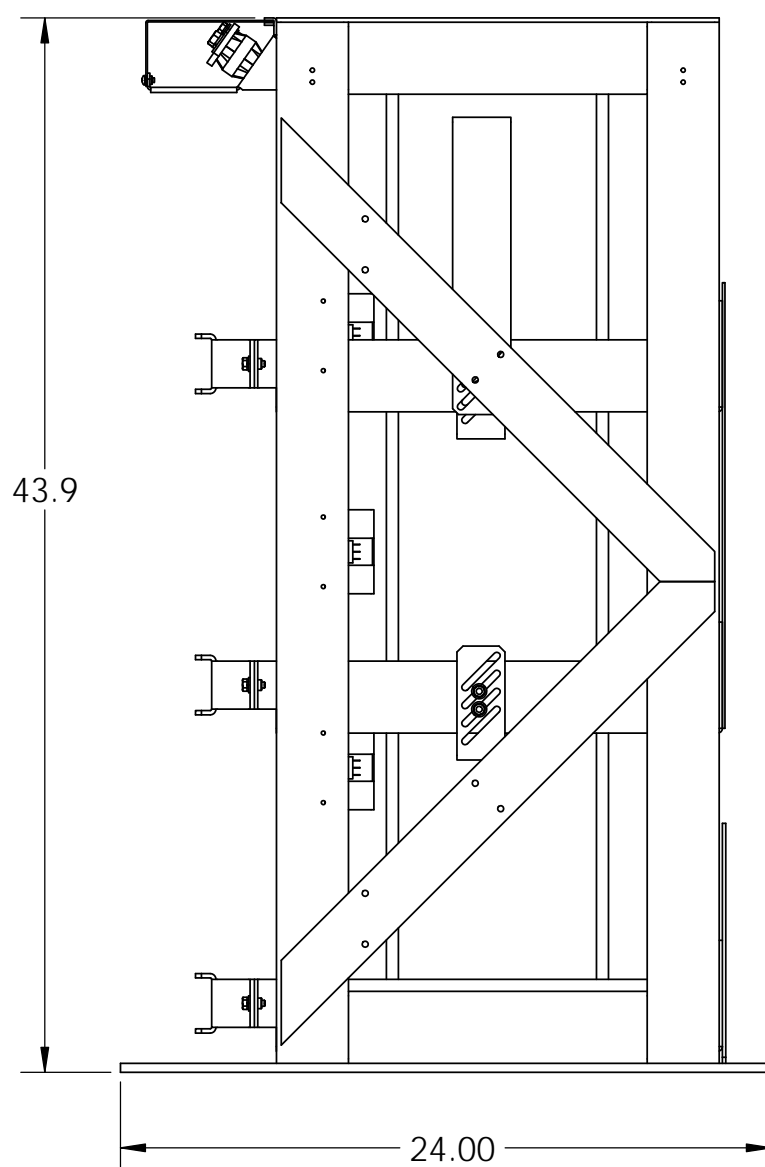
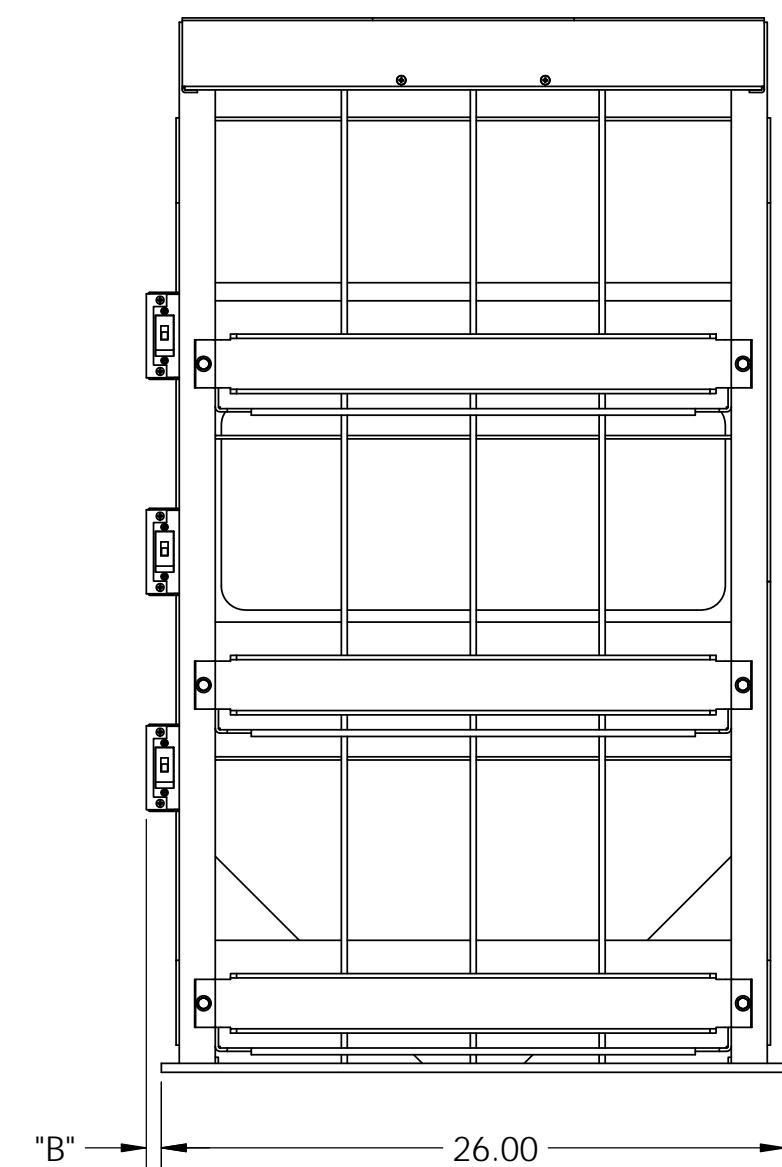
- RACK HAS BEEN CERTIFIED NEBS COMPLIANT BY AN INDEPENDENT LABORATORY TO THE FOLLOWING SPECS:
GR-63-CORE, ISSUE 4, 2012, SECTIONS 2, 3, 4.2, 4.3 (SEISMIC ZONE 4)
GR63-1089-CORE, ISSUE 6, 2011, SECTION 9.
- FINISH: GRAY POWDER COAT FINISH.
- OUTPUT BUS BARS ARE LOCATED ON THE TOP COVERED BY A REMOVABLE SHIELD.
- OPTIONAL CIRCUIT BREAKERS AVAILABLE FOR EACH STRING. SEE PART NUMBER LEGEND.
- RACK SHIPS PRE-WIRED AND PRE-ASSEMBLED.
- SEE TABLE 1 FOR APPROXIMATE MINIMUM RACK WEIGHT (INCLUDING CABLES). WEIGHT WILL VARY DEPENDING ON SIZE OF BREAKERS. WEIGHTS SHOWN ARE BASED ON SINGLE POLE 100A BREAKERS.
- 1 POSITION FOR $\varnothing 3/8$ " BOLT ON $3/4$ " OR 1.0" CENTERS PROVIDED ON POSITIVE AND NEGATIVE BUS BARS.
- 100A BREAKERS ARE IN STOCK. LEAD TIME WILL VARY FOR OTHER BREAKER SIZES.
- ADD "W" AT THE END OF PART NUMBER FOR BREAKER ALARM WIRED (NC SIGNAL). CUSTOM COLORS ARE AVAILABLE UPON REQUEST. CALL SALES FOR MORE INFO.



OUTPUT LUG PROVISION,
1 PER POLARITY

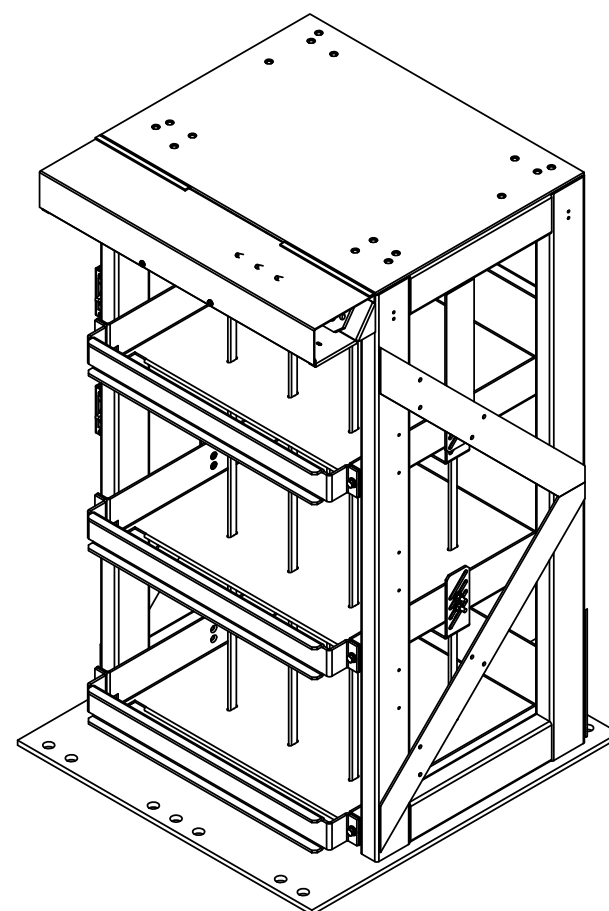
7

TOP VIEW
PLASTIC SHIELDS NOT SHOWN
BUS BAR MAY VARY IN DESIGN
DEPENDING ON CABLE SIZES



DIMENSIONS SHOWN ARE CURRENT AND ARE SUBJECT TO CHANGE WITHOUT NOTICE.

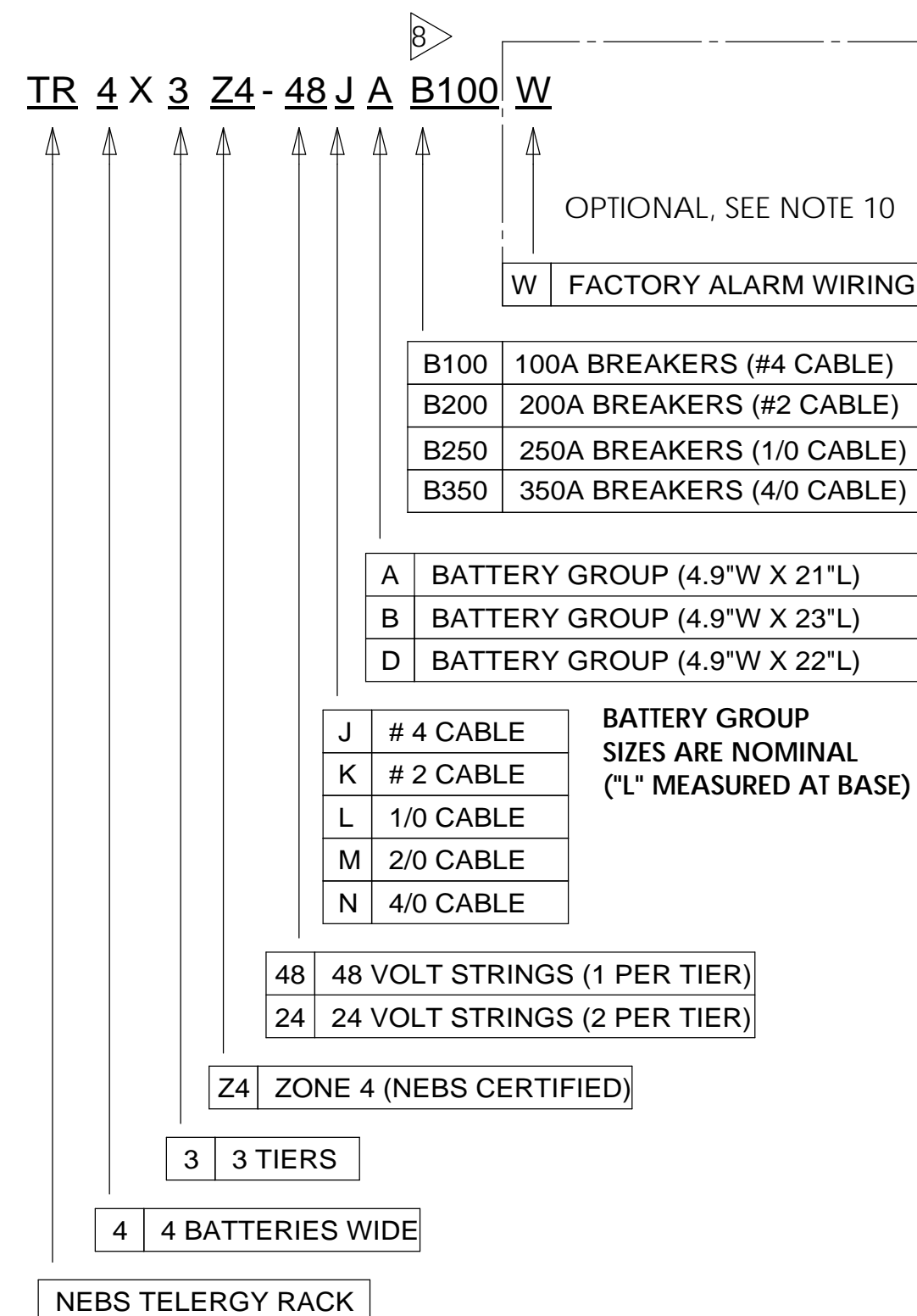
TABLE 1		
MODEL NO.	DESCRIPTION (CABLE GAUGE)	APPROXIMATE MINIMUM RACK WEIGHT (CABLES INCLUDED)
TR4X3Z4-48xxxxxx	#4 CABLE	306 lbs
TR4X3Z4-48xxxxxx	#2 CABLE	308 lbs
TR4X3Z4-48xxxxxx	1/0 CABLE	312 lbs
TR4X3Z4-48xxxxxx	2/0 CABLE	315 lbs
TR4X3Z4-48xxxxxx	4/0 CABLE	323 lbs
TR4X3Z4-24xxxxxx	#4 CABLE	312 lbs
TR4X3Z4-24xxxxxx	#2 CABLE	316 lbs



BREAKER DIM "B"	
100A	.62
200A	1.40
250A	1.60
350A	3.10

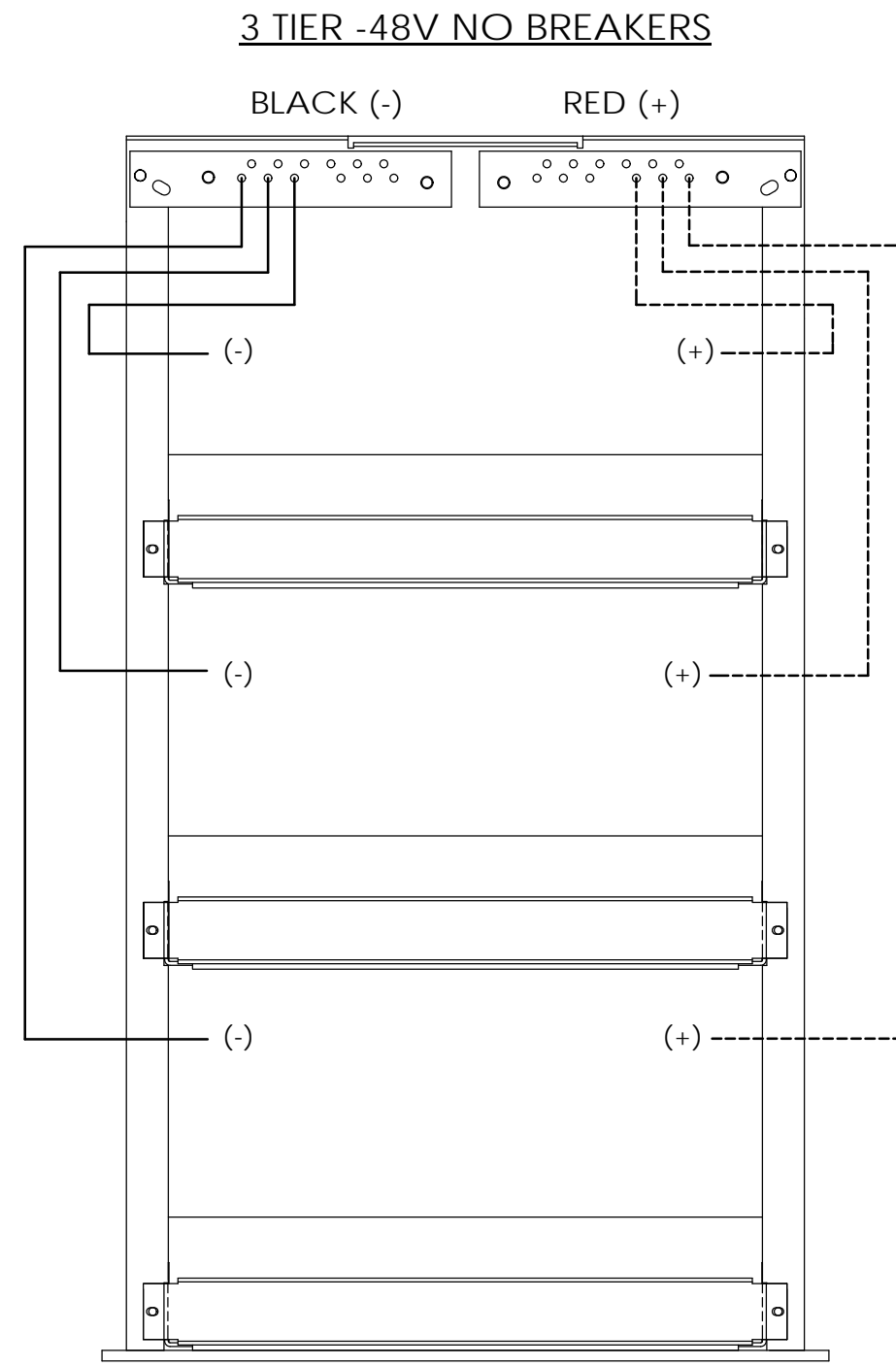
**NOTE:
FOR 24V SYSTEMS, ADD DIM ABOVE
TO THE RIGHT SIDE OF THE RACK AS WELL

PART NUMBER LEGEND



UNLESS OTHERWISE SPECIFIED: DIMENSIONS ARE IN INCHES		Electronic Systems Support www.ess.to		3233 W. Kingsley Rd. Garland, Texas 75041 PH. 972-272-2468 FAX 972-276-9844	
TITLE: CUSTOMER DRAWING, NEBS SEISMIC RACK 4X3 TELERGY					
PROJECTION:	NAME	DATE	SIZE	DWG. NO.	REV
	RNA	07-17-17	C	TR4X3Z4-SPEC	A
			SCALE: 1:10	SHEET 1 OF 3	

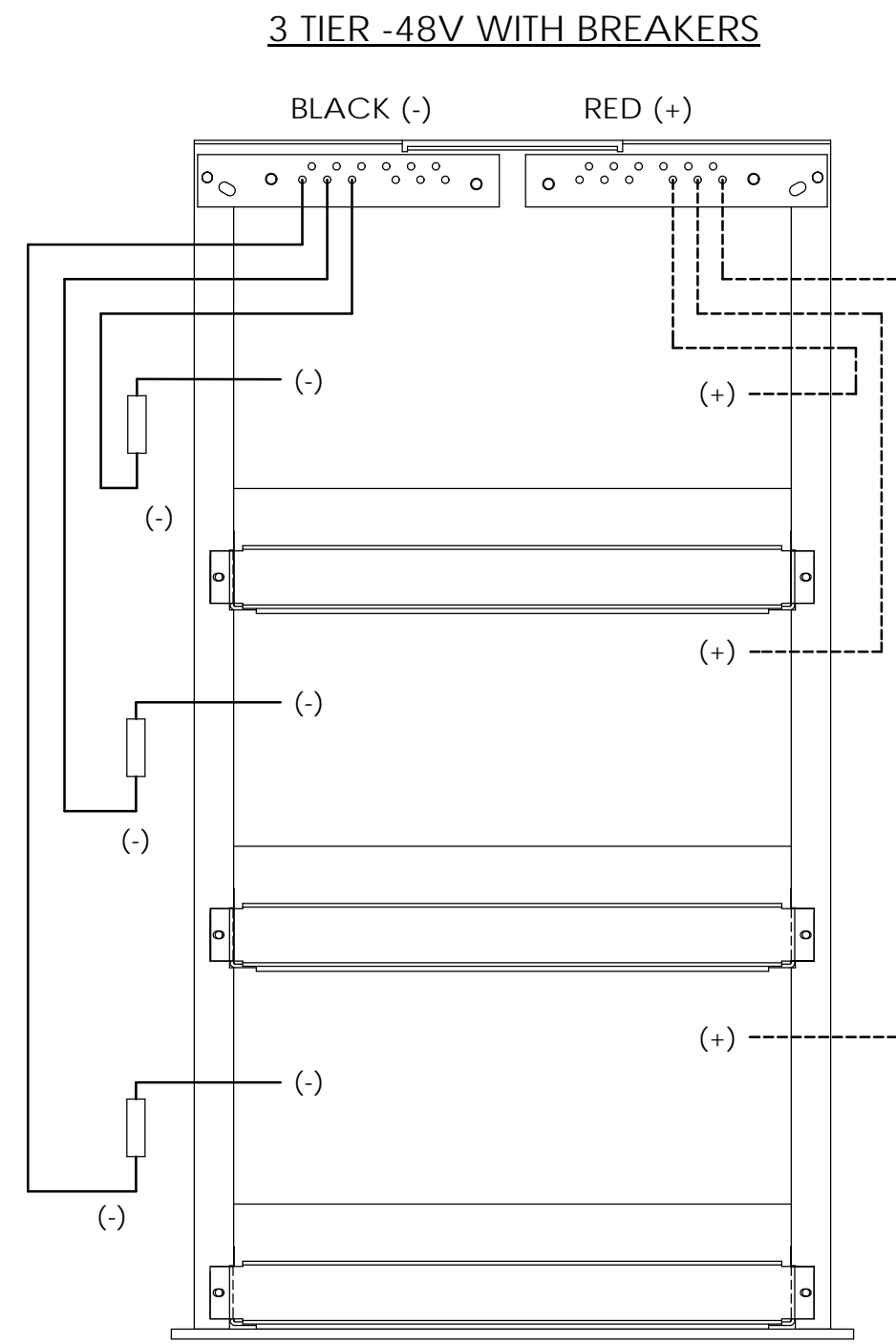
PROPRIETARY AND CONFIDENTIAL
THE INFORMATION CONTAINED IN THIS
DRAWING IS THE SOLE PROPERTY OF
ELECTRONIC SYSTEMS SUPPORT. ANY
REPRODUCTION IN PART OR AS A WHOLE
WITHOUT THE WRITTEN PERMISSION OF
ELECTRONIC SYSTEMS SUPPORT IS
PROHIBITED.



3 TIER -48V NO BREAKERS

FRONTSIDE VIEW

VIEW SHOWN REPRESENTS SYSTEMS WITH #4 AND #2 CABLE. SYSTEMS USING 1/0 AND 4/0 CABLE WILL HAVE SLIGHTLY DIFFERENT BUS BAR DESIGN BUT CABLE ROUTING WILL BE SIMILAR.



3 TIER -48V WITH BREAKERS

FRONTSIDE VIEW

VIEW SHOWN REPRESENTS SYSTEMS WITH #4 AND #2 CABLE. SYSTEMS USING 1/0 AND 4/0 CABLE WILL HAVE SLIGHTLY DIFFERENT BUS BAR DESIGN BUT CABLE ROUTING WILL BE SIMILAR.

PROPRIETARY AND CONFIDENTIAL
 THE INFORMATION CONTAINED IN THIS DRAWING IS THE SOLE PROPERTY OF **ELECTRONIC SYSTEMS SUPPORT**. ANY REPRODUCTION IN PART OR AS A WHOLE WITHOUT THE WRITTEN PERMISSION OF **ELECTRONIC SYSTEMS SUPPORT** IS PROHIBITED.

UNLESS OTHERWISE SPECIFIED:
 DIMENSIONS ARE IN INCHES

PROJECTION:		
DRAWN BY:	NAME	DATE
	RNA	07-17-17

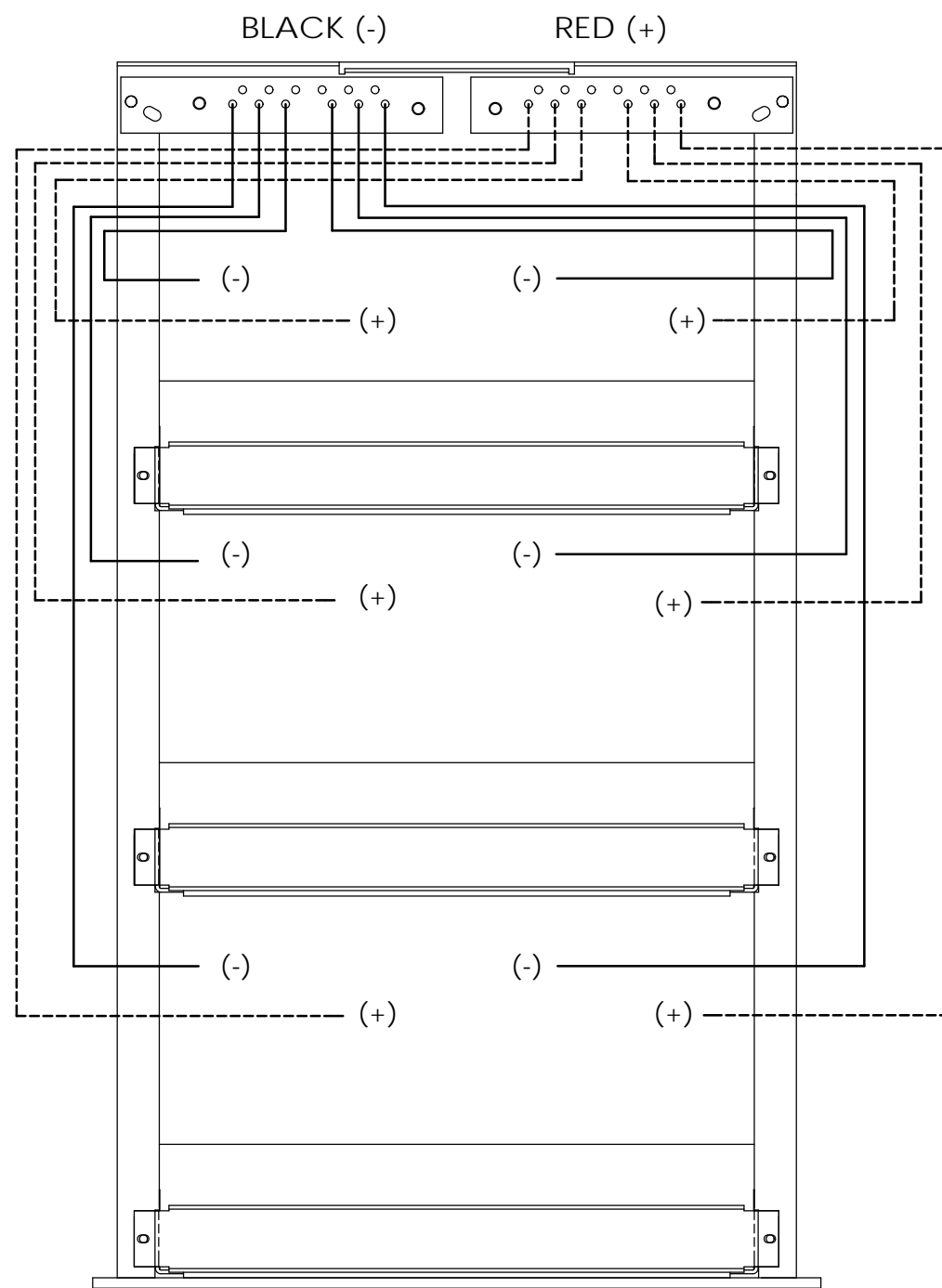


3233 W. Kingsley Rd.
 Garland, Texas 75041
 PH. 972-272-2468
 FAX 972-276-9844

TITLE:
**CUSTOMER DRAWING, NEBS SEISMIC RACK
 4X3 TELERGY**

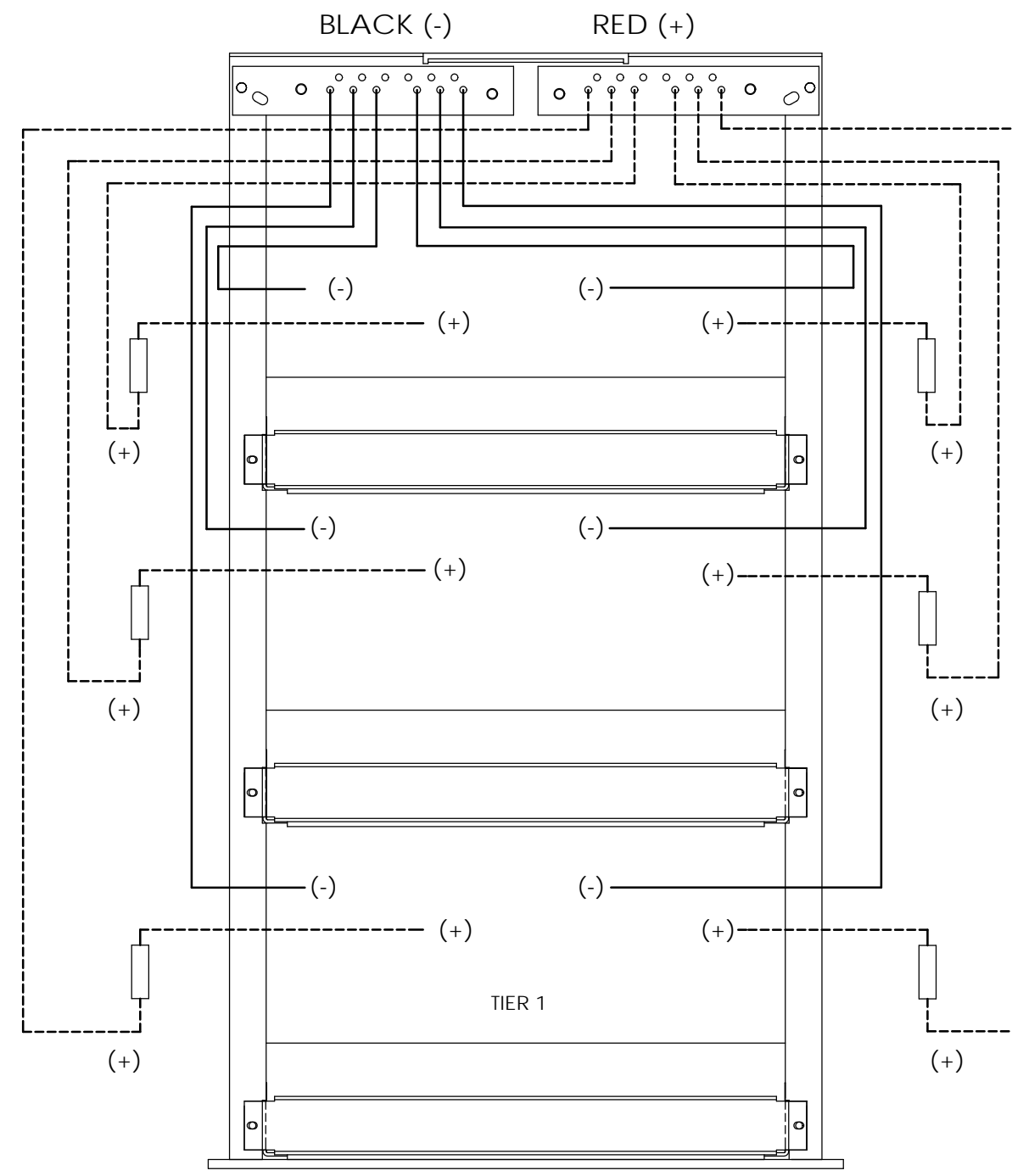
SIZE	DWG. NO.	REV
C	TR4X3Z4-SPEC	A
SCALE: 1:10	SHEET 2 OF 3	

24V NO BREAKERS



FRONTSIDE VIEW

24V WITH BREAKERS



FRONTSIDE VIEW

PROPRIETARY AND CONFIDENTIAL
 THE INFORMATION CONTAINED IN THIS DRAWING IS THE SOLE PROPERTY OF **ELECTRONIC SYSTEMS SUPPORT**. ANY REPRODUCTION IN PART OR AS A WHOLE WITHOUT THE WRITTEN PERMISSION OF **ELECTRONIC SYSTEMS SUPPORT** IS PROHIBITED.

UNLESS OTHERWISE SPECIFIED:
 DIMENSIONS ARE IN INCHES

PROJECTION:	
DRAWN BY:	RNA
NAME:	RNA
DATE:	07-17-17



3233 W. Kingsley Rd.
 Garland, Texas 75041
 PH. 972-272-2468
 FAX 972-276-9844

TITLE:
**CUSTOMER DRAWING, NEBS SEISMIC RACK
 4X3 TELERGY**

SIZE	DWG. NO.	REV
C	TR4X3Z4-SPEC	A
SCALE: 1:10	SHEET 3 OF 3	