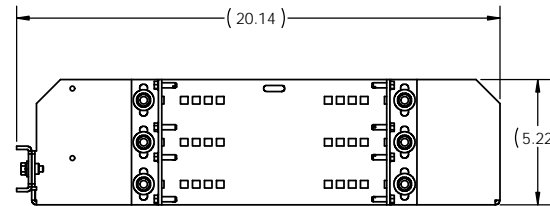
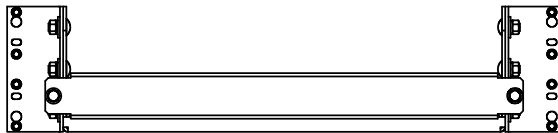
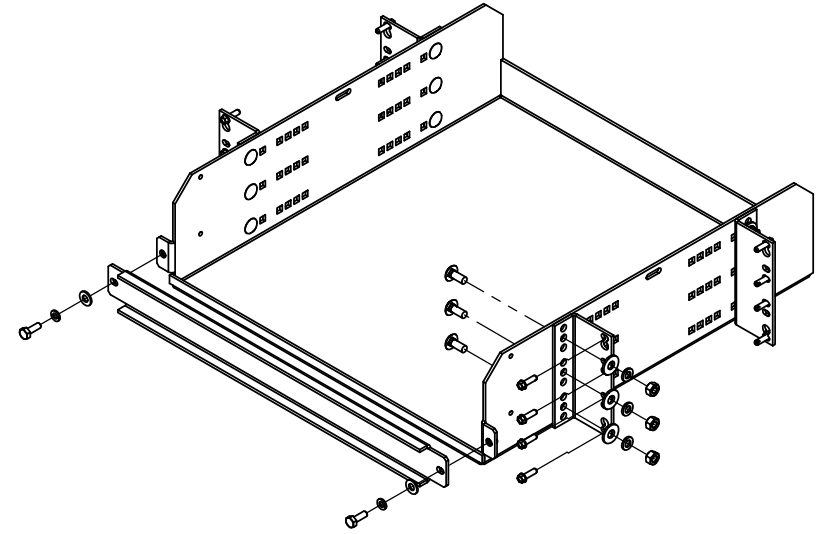
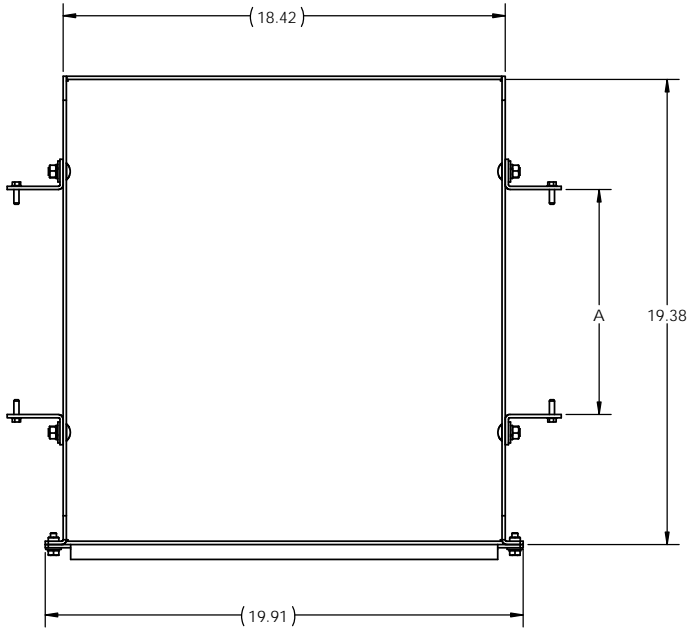


NOTES:

1. MATERIAL: SEE LIST OF MATERIALS
2. FINISH: POWDER COAT PER PART DRAWINGS OR CUSTOMER'S SPECIFICATIONS.
3. PARTS ARE TO BE ASSEMBLED BY THE CUSTOMER.
4. ALL NECESSARY MOUNTING HARDWARE INCLUDED.
5. APPROXIMATE UNPACKAGED WEIGHT: 38 LBS
6. SUGGESTED WEIGHT CAPACITY: 450 LBS

ADJUSTABLE DIMENSION	
DIM "A"	USED ON
3"	3" CHANNEL RACKS
4"	4" CHANNEL RACKS
5"	5" CHANNEL RACKS
6"	6" CHANNEL RACKS
8"	8" CHANNEL RACKS
9.38"	9.38" CHANNEL RACKS



PROPRIETARY AND CONFIDENTIAL  
 THE INFORMATION CONTAINED IN THIS DRAWING IS THE SOLE PROPERTY OF ELECTRONIC SYSTEMS SUPPORT. ANY REPRODUCTION IN PART OR AS A WHOLE WITHOUT THE WRITTEN PERMISSION OF ELECTRONIC SYSTEMS SUPPORT IS PROHIBITED.

UNLESS OTHERWISE SPECIFIED: DIMENSIONS ARE IN INCHES		 <b>Electronic Systems Support</b> www.ess.to		3233 W. Kingsley Rd. Garland, Texas 75041 PH. 972-272-2468 FAX 972-276-9844	
TITLE: TELCOM TRAY, 23", 19.38" DEEP, HEAVY DUTY(CUSTOMER DRAWING)					
PROJECTION: 	NAME:	DATE:	SIZE: <b>C</b>	DWG. NO. TEL23TRAY-C-SPEC	REV A
DRAWN BY: RNJ		06/20/17			
SCALE: 1:16				SHEET 1 OF 1	