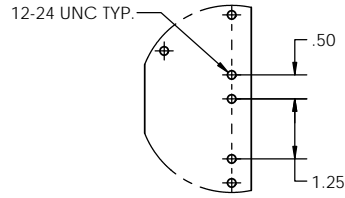
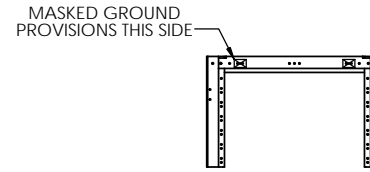


NOTES:

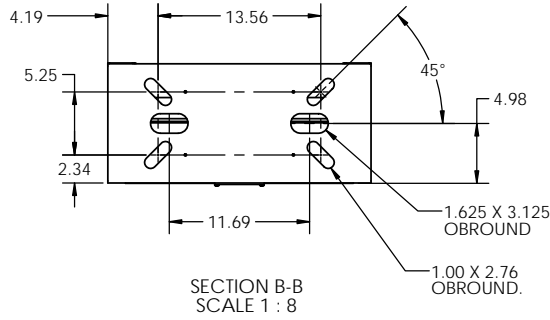
1. MATERIAL: HEAVY GAUGE WELDED STEEL FRAME
2. STANDARD FINISH: TELCO GRAY POWDER COAT (OTHER COLORS AVAILABLE)
3. TELCORDIA GR-63-CORE TESTED FOR SEISMIC ZONE 4 QUALIFICATION (HEIGHTS UNDER 84" ARE QUALIFIED UNDER CERTIFICATION).
4. LOAD RATING: 525 LBS IN ZONE 4 SEISMIC AREAS (INCLUDES 50 LBS OF OVERHEAD CABLE).
5. STATIC RATING: 850 LBS
6. HEIGHTS LISTED IN TABLE 1 ARE STANDARD HEIGHTS. SEE PART NUMBER LEGEND FOR ADDITIONAL HEIGHTS AVAILABLE.
7. IT IS RECOMMENDED TO SUPPORT RACKS TALLER THAN 8 FT. FROM TOP IN ADDITION TO FLOOR MOUNTING.



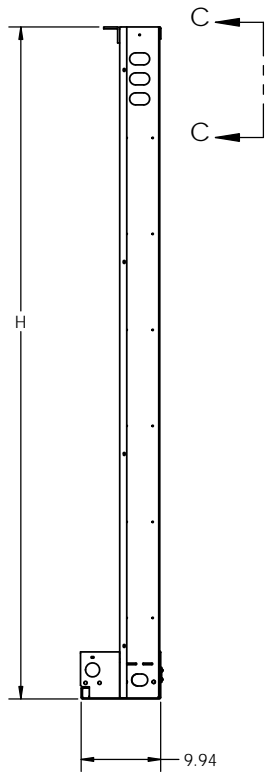
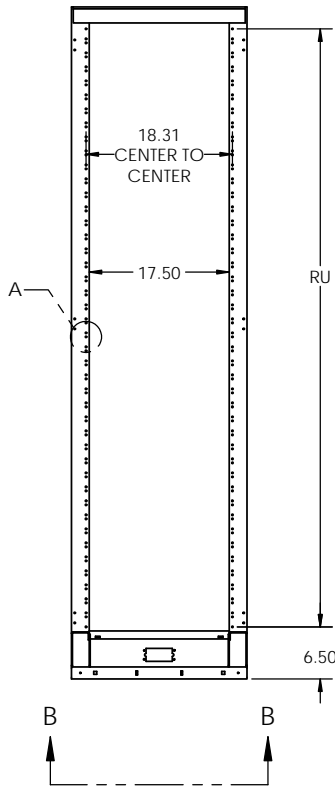
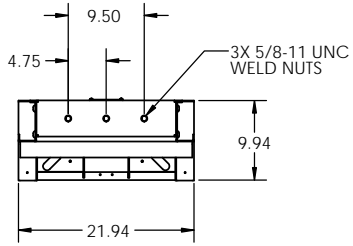
DETAIL A  
SCALE 1 : 2  
EIA HOLE SPACING



SECTION C-C



SECTION B-B  
SCALE 1 : 8



EIA RACK

**UNEQUAL FLANGE RACKS PART NUMBER LEGEND**

SUFR A 33 084 A A

A	TELCO GRAY
B	BLACK
C	BLUE
D	WHITE
E	CREAM
F	KONE GRAY

HOLE SPACING	
A	EIA HOLE SPACING

060	5'
066	5'6"
072	6'
078	6'6"
084	7'
090	7'6"
096	8'
102	8'6"
108	9'
114	9'6"
120	10'
126	10'6"
132	11'
138	11'6"

31	CLOSED DUCT
32	OPEN DUCT
33	CLOSED DUCT (TOP ANGLE OPTION)
34	OPEN DUCT (TOP ANGLE OPTION)

RACK WIDTH	
A	19" PANEL MOUNTING

RACK STYLE	
SUFR	SEISMIC UNEQUAL FLANGE RACK

**TABLE 1**

MODEL NO.	RACK UNITS EIA(RU)	HEIGHT (H)	WEIGHT (LBS.)
SUFRA33084Ax	43	84	83
SUFRA33090Ax	46	90	87
SUFRA33096Ax	49	96	91
SUFRA33108Ax	56	108	99
SUFRA33138Ax	73	138	119

\*\*LAST DIGIT (X) OF THE ABOVE PART NUMBER REPRESENTS COLOR. SEE PART NUMBER LEGEND TO COMPLETE PART NUMBER.

PROPRIETARY AND CONFIDENTIAL  
THE INFORMATION CONTAINED IN THIS DRAWING IS THE SOLE PROPERTY OF ELECTRONIC SYSTEMS SUPPORT. ANY REPRODUCTION IN PART OR AS A WHOLE WITHOUT THE WRITTEN PERMISSION OF ELECTRONIC SYSTEMS SUPPORT IS PROHIBITED.

UNLESS OTHERWISE SPECIFIED:  
DIMENSIONS ARE IN INCHES

**Electronic Systems Support**  
www.ess.io

3233 W. Kingsley Rd.  
Garland, Texas 75041  
PH. 972-272-2468  
FAX 972-276-9844

TITLE: **UNEQUAL FLANGE RACK, 19", SEISMIC, CLOSED DUCT, W/TOP ANGLE**

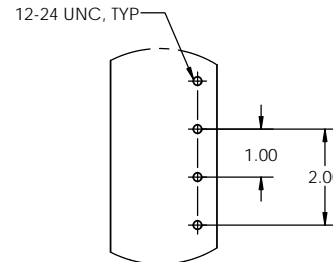
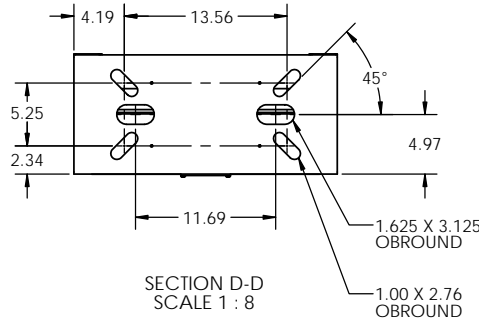
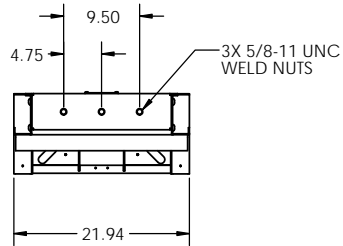
PROJECTION:

DRAWN BY: RNA	DATE: 10-29-15	SIZE: C	DWG. NO.: SUFRA33xxxxx-SPEC	REV: B
---------------	----------------	---------	-----------------------------	--------

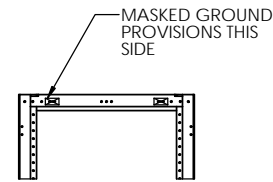
SCALE: 1:12 SHEET 1 OF 2

NOTES:

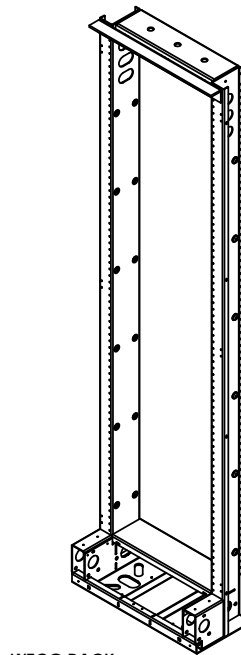
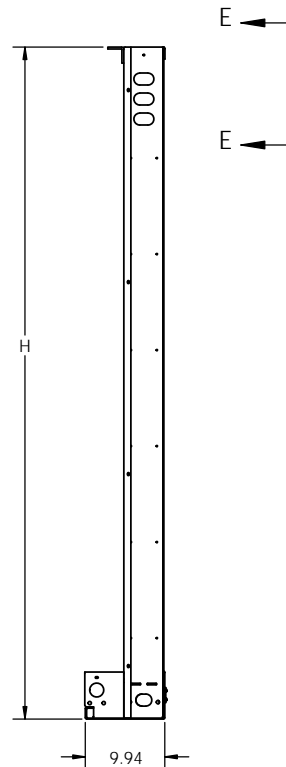
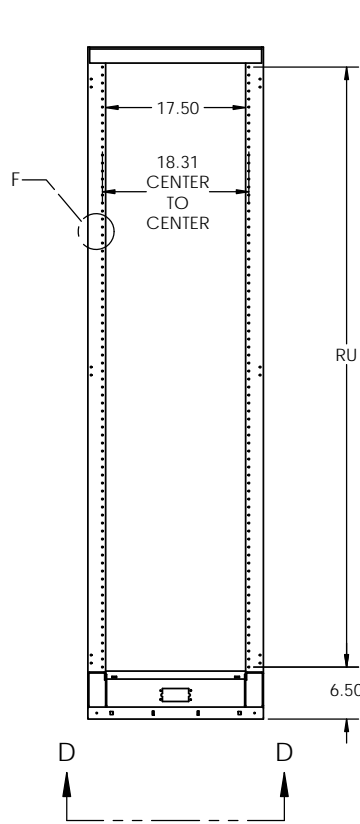
1. MATERIAL: HEAVY GAUGE WELDED STEEL FRAME
2. STANDARD FINISH: TELCO GRAY POWDER COAT (OTHER COLORS AVAILABLE)
3. TELCORDIA GR-63-CORE TESTED FOR SEISMIC ZONE 4 QUALIFICATION (HEIGHTS UNDER 84" ARE QUALIFIED UNDER CERTIFICATION).
4. LOAD RATING: 525 LBS IN ZONE 4 SEISMIC AREAS (INCLUDES 50 LBS OF OVERHEAD CABLE).
5. STATIC RATING: 850 LBS
6. HEIGHTS LISTED IN TABLE 1 ARE STANDARD HEIGHTS. SEE PART NUMBER LEGEND FOR ADDITIONAL HEIGHTS AVAILABLE.
7. IT IS RECOMMENDED TO SUPPORT RACKS TALLER THAN 8 FT. FROM TOP IN ADDITION TO FLOOR MOUNTING.



DETAIL F  
SCALE 1 : 2  
WECO HOLE SPACING



SECTION E-E



WECO RACK

UNEQUAL FLANGE RACKS PART NUMBER LEGEND

SUFR A 33 084 B A

A	TELCO GRAY
B	BLACK
C	BLUE
D	WHITE
E	CREAM
F	KONE GRAY

HOLE SPACING	
B	WECO HOLE SPACING

060	5'
066	5'6"
072	6'
078	6'6"
084	7'
090	7'6"
096	8'
102	8'6"
108	9'
114	9'6"
120	10'
126	10'6"
132	11'
138	11'6"

31	CLOSED DUCT
32	OPEN DUCT
33	CLOSED DUCT (TOP ANGLE OPTION)
34	OPEN DUCT (TOP ANGLE OPTION)

RACK WIDTH	
A	19" PANEL MOUNTING

RACK STYLE	
SUFR	SEISMIC UNEQUAL FLANGE RACK

TABLE 1

MODEL NO.	RACK UNITS WECO(RU)	HEIGHT (H)	WEIGHT (LBS.)
SUFRA33084Bx	38	84	83
SUFRA33090Bx	41	90	87
SUFRA33096Bx	44	96	91
SUFRA33108Bx	50	108	99
SUFRA33138Bx	65	138	119

\*\*LAST DIGIT (X) OF THE ABOVE PART NUMBER REPRESENTS COLOR. SEE PART NUMBER LEGEND TO COMPLETE PART NUMBER.

PROPRIETARY AND CONFIDENTIAL  
THE INFORMATION CONTAINED IN THIS DRAWING IS THE SOLE PROPERTY OF ELECTRONIC SYSTEMS SUPPORT. ANY REPRODUCTION IN PART OR AS A WHOLE WITHOUT THE WRITTEN PERMISSION OF ELECTRONIC SYSTEMS SUPPORT IS PROHIBITED.

UNLESS OTHERWISE SPECIFIED: DIMENSIONS ARE IN INCHES

**ESS** Electronic Systems Support  
www.ess.to

3233 W. Kingsley Rd.  
Garland, Texas 75041  
PH. 972-272-2468  
FAX 972-276-9844

TITLE: UNEQUAL FLANGE RACK, 19", SEISMIC, CLOSED DUCT, W/TOP ANGLE

PROJECTION:

SCALE: 1:12

SIZE: C

DWG. NO.: SUFRA33xxxx-SPEC

REV: B

SHEET 2 OF 2