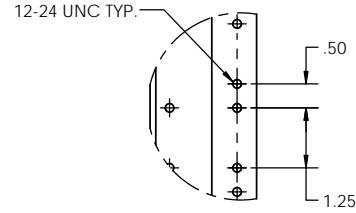
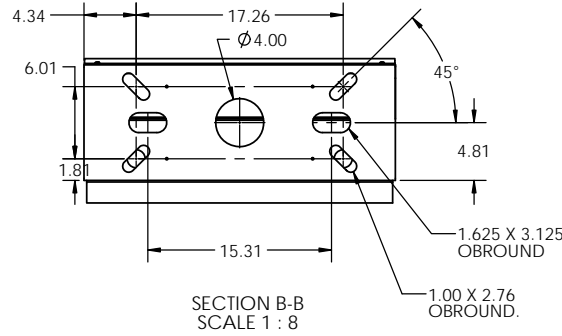
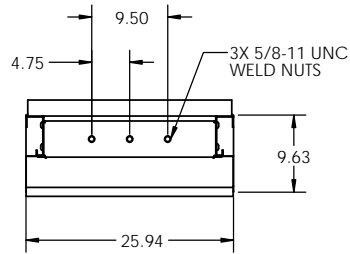


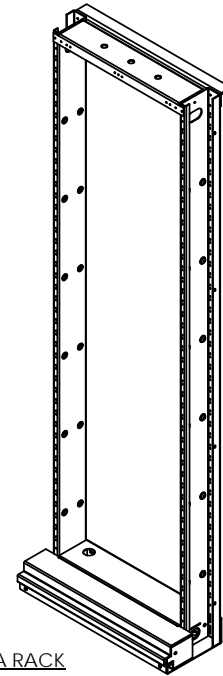
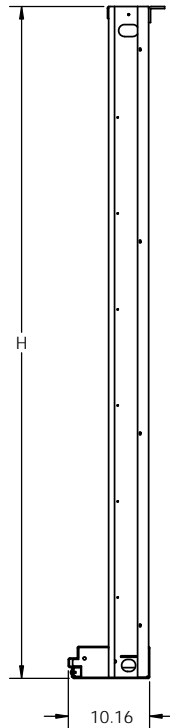
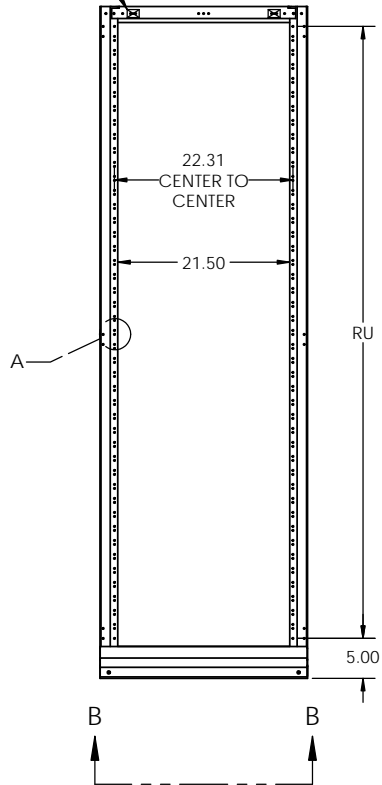
NOTES:

1. MATERIAL: HEAVY GAUGE WELDED STEEL FRAME
2. STANDARD FINISH: TELCO GRAY POWDER COAT (OTHER COLORS AVAILABLE)
3. TELCORDIA GR-63-CORE TESTED FOR SEISMIC ZONE 4 QUALIFICATION (HEIGHTS UNDER 84" ARE QUALIFIED UNDER CERTIFICATION).
4. LOAD RATING: 500 LBS IN ZONE 4 SEISMIC AREAS (INCLUDES 50 LBS OF OVERHEAD CABLE). STATIC RATING: 850 LBS
5. HEIGHTS LISTED IN TABLE 1 ARE STANDARD HEIGHTS. SEE PART NUMBER LEGEND FOR ADDITIONAL HEIGHTS AVAILABLE.
6. IT IS RECOMMENDED TO SUPPORT RACKS TALLER THAN 8 FT. FROM TOP IN ADDITION TO FLOOR MOUNTING.



DETAIL A
SCALE 1 : 2
EIA HOLE SPACING

MASKED GROUND PROVISIONS THIS SIDE



EIA RACK

NETWORK BAYS PART NUMBER LEGEND

SNB B 34 084 A A

A	TELCO GRAY
B	BLACK
C	BLUE
D	WHITE
E	CREAM
F	KONE GRAY

HOLE SPACING	
A	EIA HOLE SPACING

060	5'
066	5'6"
072	6'
078	6'6"
084	7'
090	7'6"
096	8'
102	8'6"
108	9'
114	9'6"
120	10'
126	10'6"
132	11'
138	11'6"

31	CLOSED DUCT
32	OPEN DUCT
33	CLOSED DUCT (TOP ANGLE OPTION)
34	OPEN DUCT (TOP ANGLE OPTION)

RACK WIDTH	
B	23" PANEL MOUNTING

RACK TYPE	
SNB	SEISMIC NETWORK BAY

MODEL NO.	RACK UNITS (RU)	HEIGHT (H)	WEIGHT (LBS.)
SNBA34084Ax	44	84	100
SNBA34090Ax	47	90	104
SNBA34096Ax	50	96	108
SNBA34108Ax	57	108	116
SNBA34138Ax	74	138	136

**LAST DIGIT (X) OF THE ABOVE PART NUMBER REPRESENTS COLOR. SEE PART NUMBER LEGEND TO COMPLETE PART NUMBER.

PROPRIETARY AND CONFIDENTIAL
THE INFORMATION CONTAINED IN THIS DRAWING IS THE SOLE PROPERTY OF ELECTRONIC SYSTEMS SUPPORT. ANY REPRODUCTION IN PART OR AS A WHOLE WITHOUT THE WRITTEN PERMISSION OF ELECTRONIC SYSTEMS SUPPORT IS PROHIBITED.

UNLESS OTHERWISE SPECIFIED: DIMENSIONS ARE IN INCHES		Electronic Systems Support www.ess.to		3233 W. Kingsley Rd. Garland, Texas 75041 PH. 972-272-2468 FAX 972-276-9844	
TITLE: NETWORK BAY, 23", SEISMIC, OPEN DUCT, W/ TOP ANGLE					
PROJECTION:	NAME:	DATE:	SIZE: C	DWG. NO.: SNBB34xxxx-SPEC	REV: A
DRAWN BY: RNJ 11/7/17			SCALE: 1:12		SHEET 1 OF 2

NOTES:

1. MATERIAL: HEAVY GAUGE WELDED STEEL FRAME
2. STANDARD FINISH: TELCO GRAY POWDER COAT (OTHER COLORS AVAILABLE)
3. TELCORDIA GR-63-CORE TESTED FOR SEISMIC ZONE 4 QUALIFICATION (HEIGHTS UNDER 84" ARE QUALIFIED UNDER CERTIFICATION).
4. LOAD RATING: 500 LBS IN ZONE 4 SEISMIC AREAS (INCLUDES 50 LBS OF OVERHEAD CABLE). STATIC RATING: 850 LBS
5. HEIGHTS LISTED IN TABLE 1 ARE STANDARD HEIGHTS. SEE PART NUMBER LEGEND FOR ADDITIONAL HEIGHTS AVAILABLE.
6. IT IS RECOMMENDED TO SUPPORT RACKS TALLER THAN 8 FT. FROM TOP IN ADDITION TO FLOOR MOUNTING.

NETWORK BAYS PART NUMBER LEGEND

SNB B 34 084 B A

A	TELCO GRAY
B	BLACK
C	BLUE
D	WHITE
E	CREAM
F	KONE GRAY

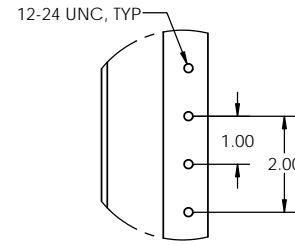
HOLE SPACING	
B	WECO HOLE SPACING

060	5'
066	5'6"
072	6'
078	6'6"
084	7'
090	7'6"
096	8'
102	8'6"
108	9'
114	9'6"
120	10'
126	10'6"
132	11'
138	11'6"

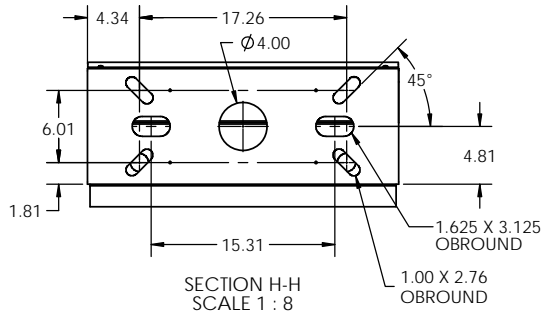
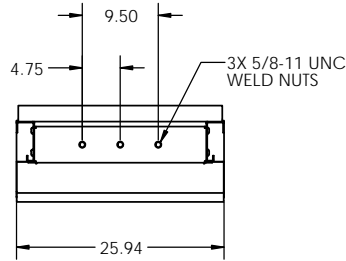
31	CLOSED DUCT
32	OPEN DUCT
33	CLOSED DUCT (TOP ANGLE OPTION)
34	OPEN DUCT (TOP ANGLE OPTION)

RACK WIDTH	
B	23" PANEL MOUNTING

RACK TYPE	
SNB	SEISMIC NETWORK BAY

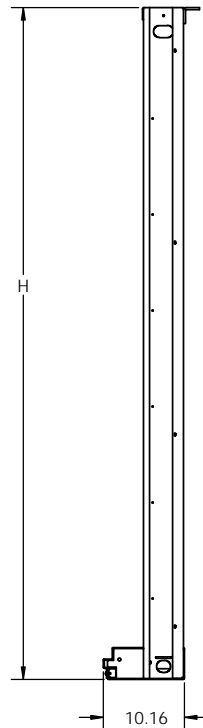
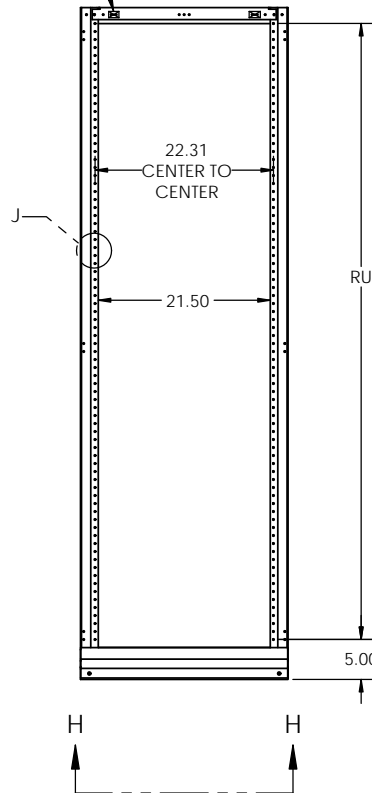


DETAIL J
SCALE 1 : 2
WECO HOLE SPACING



SECTION H-H
SCALE 1 : 8

MASKED GROUND PROVISIONS THIS SIDE



WECO RACK

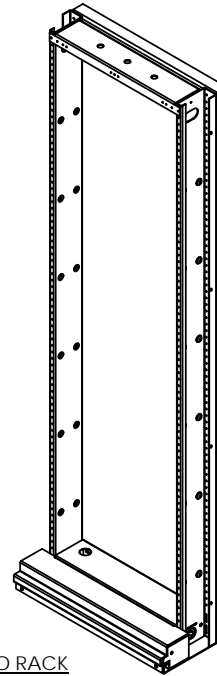


TABLE 1

MODEL NO.	RACK UNITS (RU)	HEIGHT (H)	WEIGHT (LBS.)
SNBA34084Bx	39	84	100
SNBA34090Bx	42	90	104
SNBA34096Bx	45	96	108
SNBA34108Bx	51	108	116
SNBA34138Bx	66	138	136

**LAST DIGIT (X) OF THE ABOVE PART NUMBER REPRESENTS COLOR. SEE PART NUMBER LEGEND TO COMPLETE PART NUMBER.

PROPRIETARY AND CONFIDENTIAL
THE INFORMATION CONTAINED IN THIS DRAWING IS THE SOLE PROPERTY OF ELECTRONIC SYSTEMS SUPPORT. ANY REPRODUCTION IN PART OR AS A WHOLE WITHOUT THE WRITTEN PERMISSION OF ELECTRONIC SYSTEMS SUPPORT IS PROHIBITED.

UNLESS OTHERWISE SPECIFIED: DIMENSIONS ARE IN INCHES		Electronic Systems Support www.ess.to		3233 W. Kingsley Rd. Garland, Texas 75041 PH. 972-272-2468 FAX 972-276-9844	
TITLE: NETWORK BAY, 23", SEISMIC, OPEN DUCT, W/ TOP ANGLE					
PROJECTION:	NAME: _____	DATE: _____	SIZE: C	DWG. NO.: SNBB34xxxx-SPEC	REV: A
DRAWN BY: RNJ	DATE: 11/7/17	SCALE: 1:12		SHEET 2 OF 2	