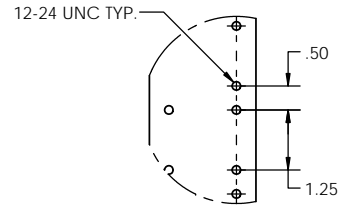
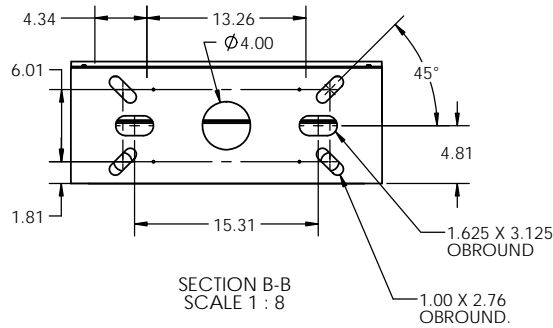
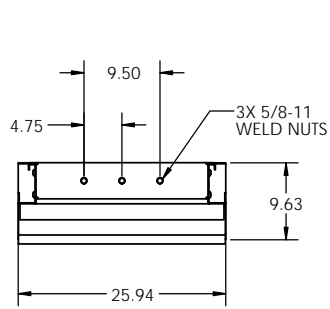


NOTES:

1. MATERIAL: HEAVY GAUGE WELDED STEEL FRAME
2. STANDARD FINISH: TELCO GRAY POWDER COAT (OTHER COLORS AVAILABLE)
3. TELCORDIA GR-63-CORE TESTED FOR SEISMIC ZONE 4 QUALIFICATION (HEIGHTS UNDER 84" ARE QUALIFIED UNDER CERTIFICATION).
4. LOAD RATING: 500 LBS IN ZONE 4 SEISMIC AREAS (INCLUDES 50 LBS OF OVERHEAD CABLE). STATIC RATING: 850 LBS
5. HEIGHTS LISTED IN TABLE 1 ARE STANDARD HEIGHTS. SEE PART NUMBER LEGEND FOR ADDITIONAL HEIGHTS AVAILABLE.
6. IT IS RECOMMENDED TO SUPPORT RACKS TALLER THAN 8 FT. FROM TOP IN ADDITION TO FLOOR MOUNTING.

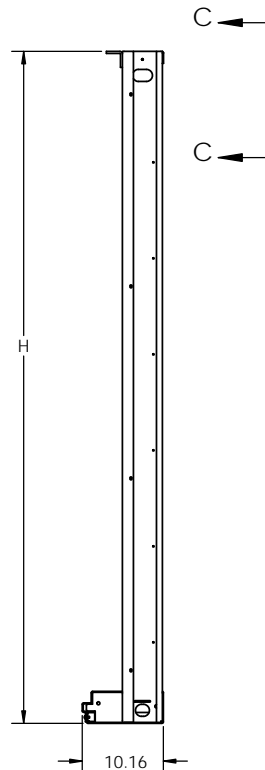
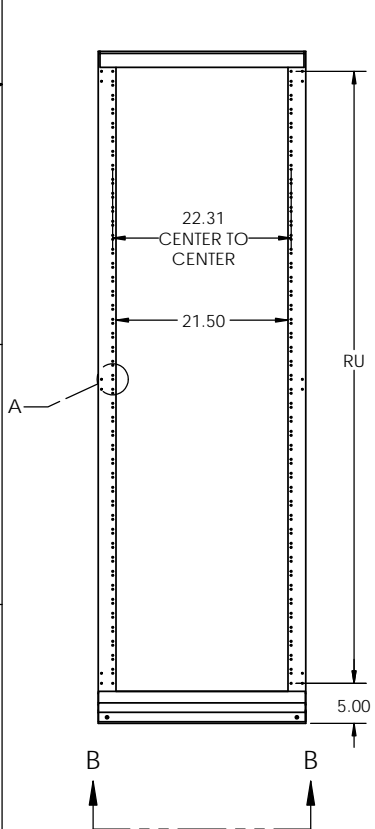


DETAIL A
SCALE 1 : 2
EIA HOLE SPACING

MASKED GROUND PROVISIONS THIS SIDE



SECTION C-C



EIA RACK

NETWORK BAYS PART NUMBER LEGEND

SNB B 33 084 A A

| | |
|---|------------|
| A | TELCO GRAY |
| B | BLACK |
| C | BLUE |
| D | WHITE |
| E | CREAM |
| F | KONE GRAY |

| | |
|--------------|------------------|
| HOLE SPACING | |
| A | EIA HOLE SPACING |

| | |
|-----|-------|
| 060 | 5' |
| 066 | 5'6" |
| 072 | 6' |
| 078 | 6'6" |
| 084 | 7' |
| 090 | 7'6" |
| 096 | 8' |
| 102 | 8'6" |
| 108 | 9' |
| 114 | 9'6" |
| 120 | 10' |
| 126 | 10'6" |
| 132 | 11' |
| 138 | 11'6" |

| | |
|----|--------------------------------|
| 31 | CLOSED DUCT |
| 32 | OPEN DUCT |
| 33 | CLOSED DUCT (TOP ANGLE OPTION) |
| 34 | OPEN DUCT (TOP ANGLE OPTION) |

| | |
|------------|--------------------|
| RACK WIDTH | |
| B | 23" PANEL MOUNTING |

| | |
|-----------|---------------------|
| RACK TYPE | |
| SNB | SEISMIC NETWORK BAY |

| MODEL NO. | RACK UNITS (RU) | HEIGHT (H) | WEIGHT (LBS.) |
|-------------|-----------------|------------|---------------|
| SNBB33084Ax | 44 | 84 | 100 |
| SNBB33090Ax | 47 | 90 | 104 |
| SNBB33096Ax | 50 | 96 | 108 |
| SNBB33108Ax | 57 | 108 | 116 |
| SNBB33138Ax | 74 | 138 | 136 |

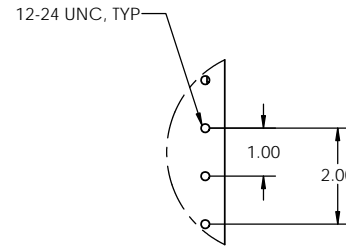
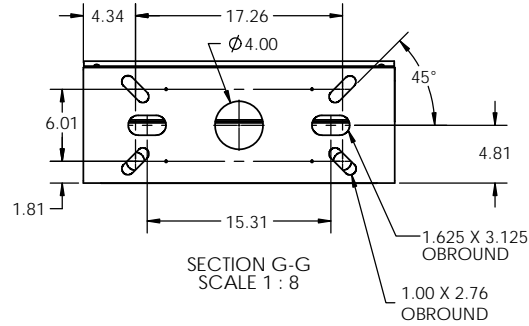
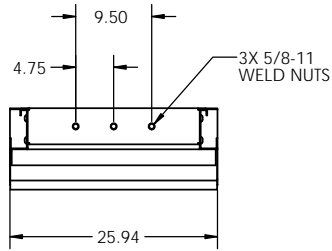
**LAST DIGIT (X) OF THE ABOVE PART NUMBER REPRESENTS COLOR. SEE PART NUMBER LEGEND TO COMPLETE PART NUMBER.

PROPRIETARY AND CONFIDENTIAL
THE INFORMATION CONTAINED IN THIS DRAWING IS THE SOLE PROPERTY OF ELECTRONIC SYSTEMS SUPPORT. ANY REPRODUCTION IN PART OR AS A WHOLE WITHOUT THE WRITTEN PERMISSION OF ELECTRONIC SYSTEMS SUPPORT IS PROHIBITED.

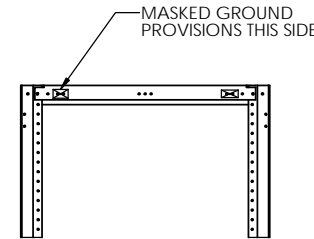
| | | | | | |
|---|-------|---|--------------------------------|--|-------------|
| UNLESS OTHERWISE SPECIFIED: DIMENSIONS ARE IN INCHES | | Electronic Systems Support www.ess.to | | 3233 W. Kingsley Rd. Garland, Texas 75041 PH. 972-272-2468 FAX 972-276-9844 | |
| TITLE: NETWORK BAY, 23", SEISMIC, CLOSED DUCT, W/ TOP ANGLE | | | | | |
| PROJECTION: | NAME: | DATE: | SIZE: DWG. NO. SNBB33xxxx-SPEC | REV: A | SCALE: 1:12 |
| DRAWN BY: RNJ 11/7/17 | | | SHEET 1 OF 2 | | |

NOTES:

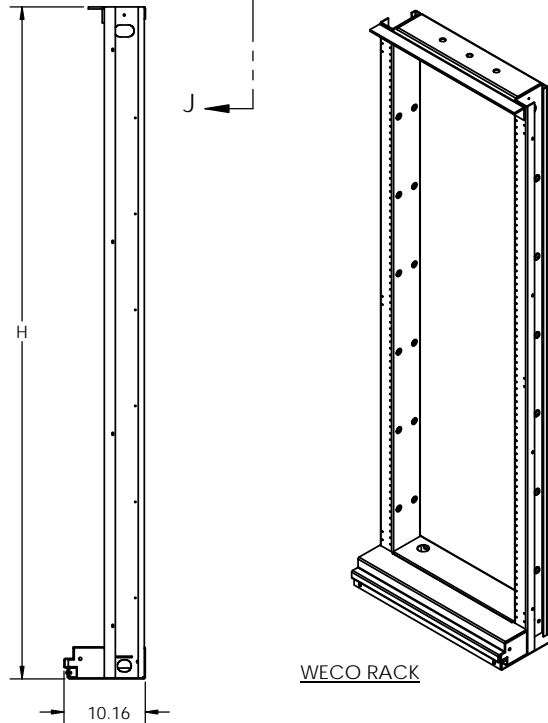
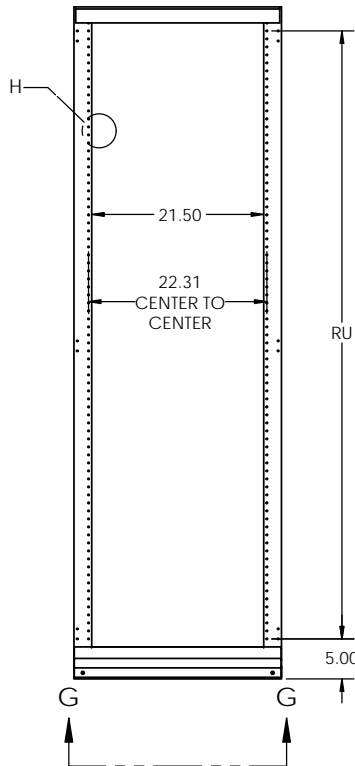
1. MATERIAL: HEAVY GAUGE WELDED STEEL FRAME
2. STANDARD FINISH: TELCO GRAY POWDER COAT (OTHER COLORS AVAILABLE)
3. TELCORDIA GR-63-CORE TESTED FOR SEISMIC ZONE 4 QUALIFICATION (HEIGHTS UNDER 84" ARE QUALIFIED UNDER CERTIFICATION).
4. LOAD RATING: 500 LBS IN ZONE 4 SEISMIC AREAS (INCLUDES 50 LBS OF OVERHEAD CABLE).
STATIC RATING: 850 LBS
5. HEIGHTS LISTED IN TABLE 1 ARE STANDARD HEIGHTS. SEE PART NUMBER LEGEND FOR ADDITIONAL HEIGHTS AVAILABLE.
6. IT IS RECOMMENDED TO SUPPORT RACKS TALLER THAN 8 FT. FROM TOP IN ADDITION TO FLOOR MOUNTING.



DETAIL H
SCALE 1 : 2
WECO HOLE SPACING



SECTION J-J
SCALE 1 : 10



WECO RACK

NETWORK BAYS PART NUMBER LEGEND

| | | | | | |
|-----|---|----|-----|---|---|
| SNB | B | 33 | 084 | B | A |
|-----|---|----|-----|---|---|

| | |
|---|------------|
| A | TELCO GRAY |
| B | BLACK |
| C | BLUE |
| D | WHITE |
| E | CREAM |
| F | KONE GRAY |

| | |
|--------------|-------------------|
| HOLE SPACING | |
| B | WECO HOLE SPACING |

| | |
|-----|-------|
| 060 | 5' |
| 066 | 5'6" |
| 072 | 6' |
| 078 | 6'6" |
| 084 | 7' |
| 090 | 7'6" |
| 096 | 8' |
| 102 | 8'6" |
| 108 | 9' |
| 114 | 9'6" |
| 120 | 10' |
| 126 | 10'6" |
| 132 | 11' |
| 138 | 11'6" |

| | |
|----|--------------------------------|
| 31 | CLOSED DUCT |
| 32 | OPEN DUCT |
| 33 | CLOSED DUCT (TOP ANGLE OPTION) |
| 34 | OPEN DUCT (TOP ANGLE OPTION) |

| | |
|------------|--------------------|
| RACK WIDTH | |
| B | 23" PANEL MOUNTING |

| | |
|-----------|---------------------|
| RACK TYPE | |
| SNB | SEISMIC NETWORK BAY |

TABLE 1

| MODEL NO. | RACK UNITS (RU) | HEIGHT (H) | WEIGHT (LBS.) |
|-------------|-----------------|------------|---------------|
| SNBB33084Bx | 39 | 84 | 100 |
| SNBB33090Bx | 42 | 90 | 104 |
| SNBB33096Bx | 45 | 96 | 108 |
| SNBB33108Bx | 51 | 108 | 116 |
| SNBB33138Bx | 66 | 138 | 136 |

**LAST DIGIT (X) OF THE ABOVE PART NUMBER REPRESENTS COLOR. SEE PART NUMBER LEGEND TO COMPLETE PART NUMBER.

PROPRIETARY AND CONFIDENTIAL
THE INFORMATION CONTAINED IN THIS DRAWING IS THE SOLE PROPERTY OF ELECTRONIC SYSTEMS SUPPORT. ANY REPRODUCTION IN PART OR AS A WHOLE WITHOUT THE WRITTEN PERMISSION OF ELECTRONIC SYSTEMS SUPPORT IS PROHIBITED.

| | | | |
|---|--------------|---|-----------------------------|
| UNLESS OTHERWISE SPECIFIED: DIMENSIONS ARE IN INCHES | | Electronic Systems Support www.ess.to 3233 W. Kingsley Rd. Garland, Texas 75041 PH. 972-272-2468 FAX 972-276-9844 | |
| TITLE: NETWORK BAY, 23", SEISMIC, CLOSED DUCT, W/ TOP ANGLE | | | |
| PROJECTION: ① | NAME: RNJ | DATE: 11/7/17 | REV A |
| DRAWN BY: | | SIZE C | DWG. NO. SNBB33xxxx-SPEC |
| | | SCALE: 1:12 | SHEET 2 OF 2 |