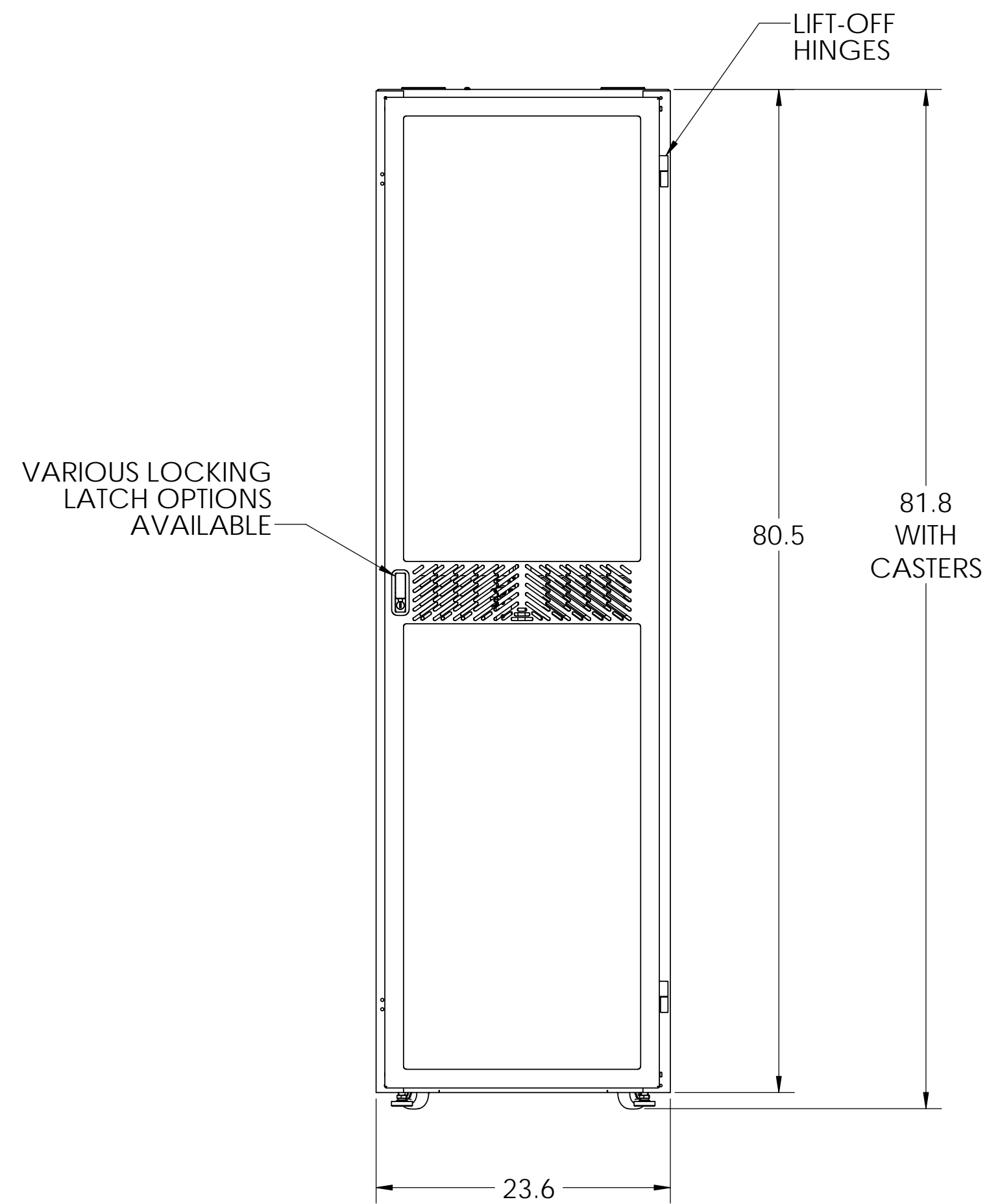
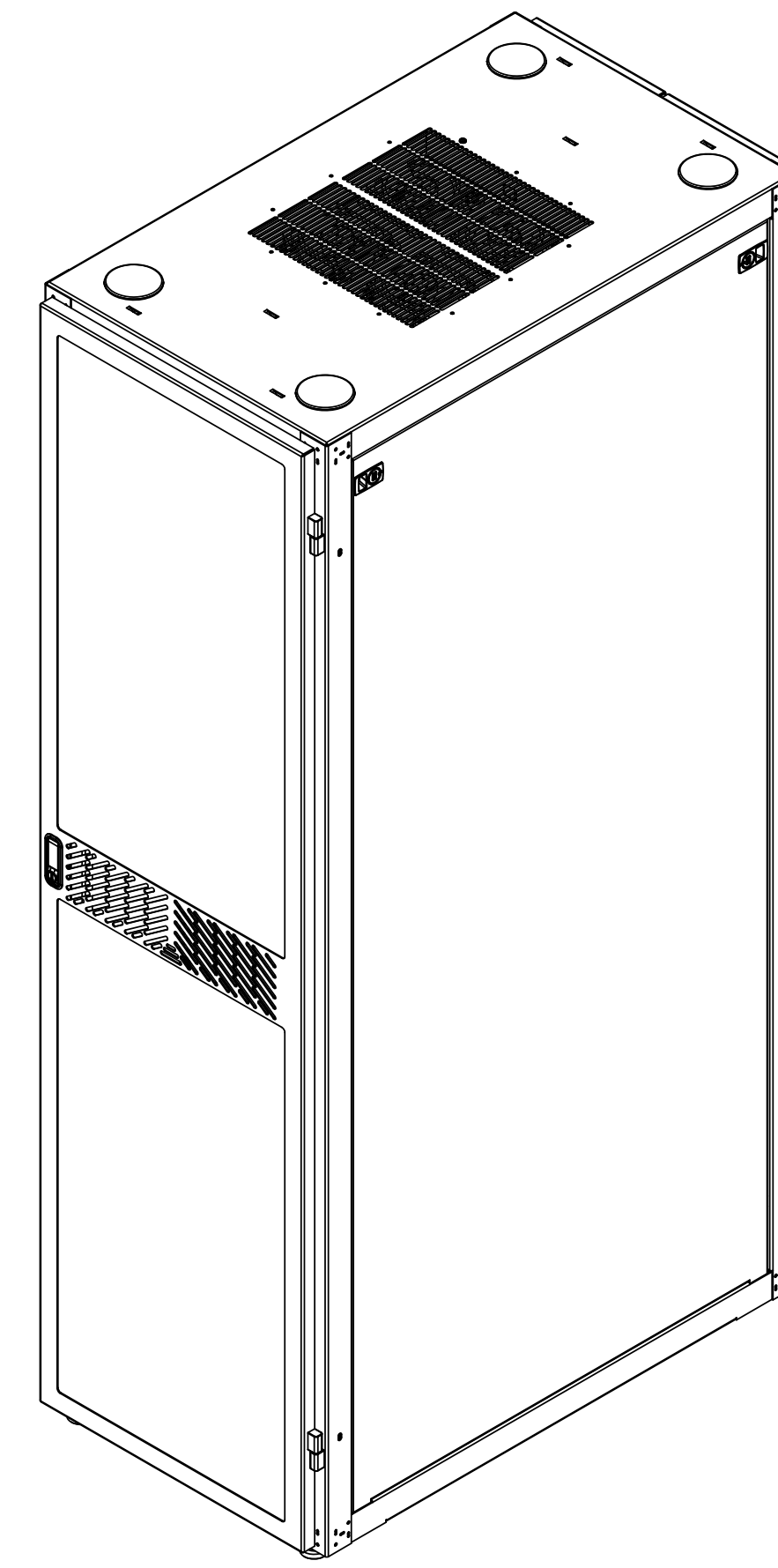
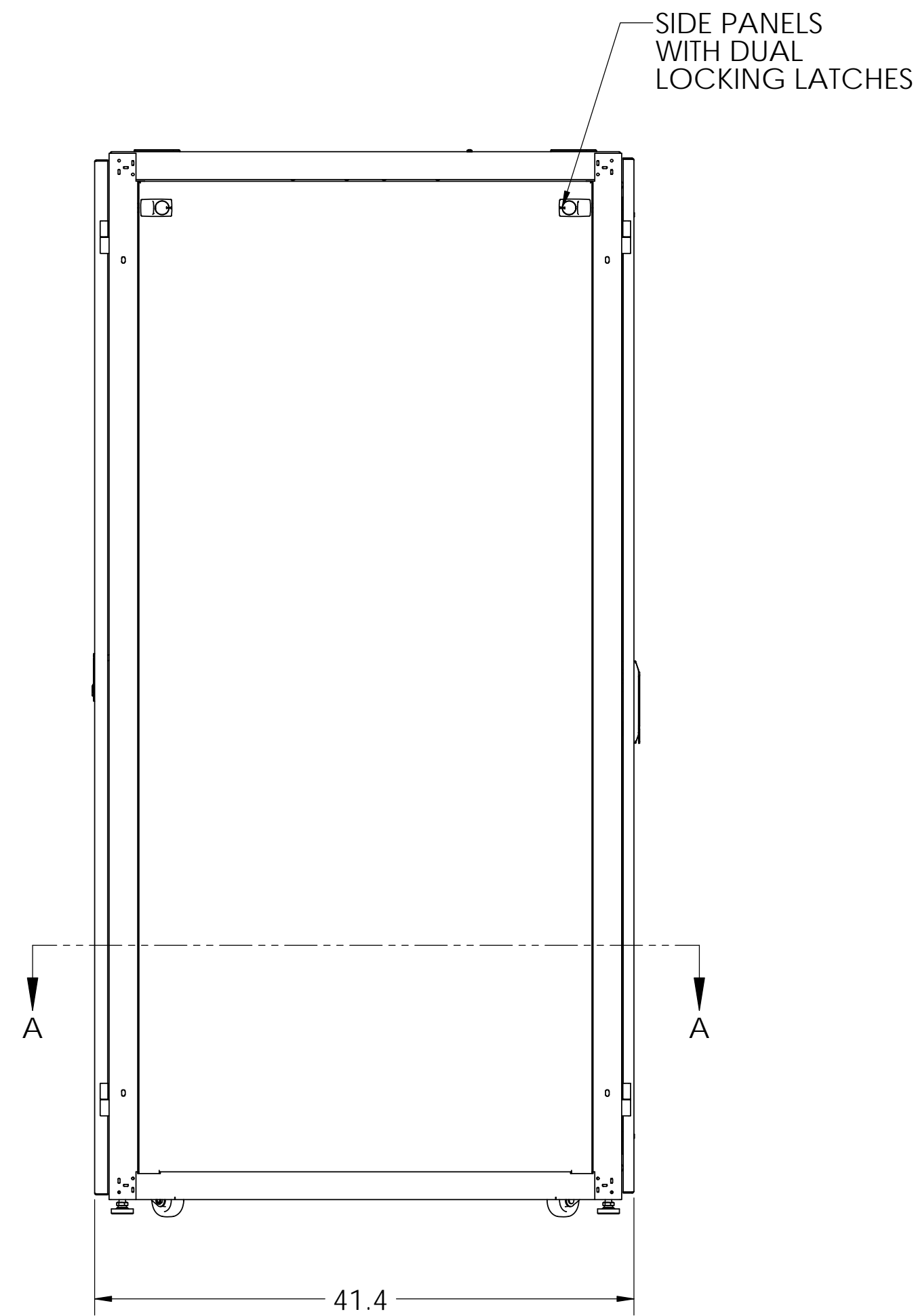


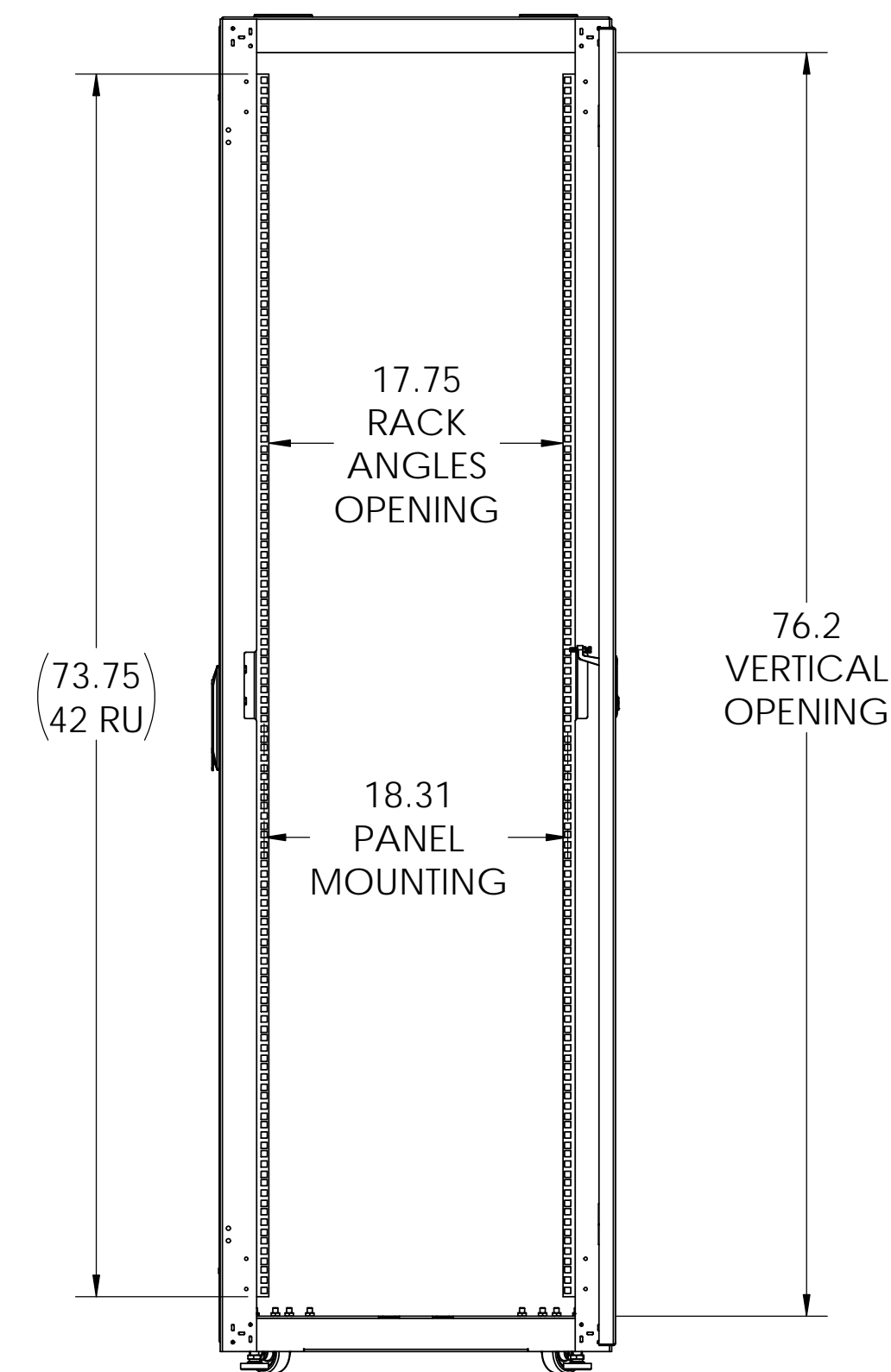
SECTION A-A
SCALE 1 : 10
ANCHOR LOCATIONS



FRONT VIEW



SIDE VIEW



FRONT VIEW-DOORS OPEN

NOTES:

1. MATERIAL: HEAVY GAUGE FORMED STEEL
2. FULLY WELDED FRAME CONSTRUCTION SUPPORTS UP TO 1300 LBS IN STATIC LOADS.
3. POWDER COAT FINISH. VARIOUS STANDARD COLORS AVAILABLE.
4. MULTIPLE DOOR LATCH OPTIONS AVAILABLE.
5. BASE CABINET INCLUDES FRAME, 2 PAIR OF RACK ANGLES, FRONT AND REAR DOORS WITH LOCKING LATCH, 2 FULL SIDE PANELS WITH LOCKS, CASTERS, LEVELING FEET AND INSTALLATION HARDWARE (50 PCS. 12-24 SCREWS AND CAGE NUTS)
6. APPROXIMATE EMPTY WEIGHT: 290 LBS.
7. OPTIONAL ITEMS INCLUDE:
 - SPLIT SIDE PANELS WITH LOCKS
 - HIGH SECURITY LATCHES
 - HORIZONTAL LACING BARS
 - VERTICAL LACING BARS
 - BLANK PANELS
 - POWER STRIPS

PROPRIETARY AND CONFIDENTIAL
THE INFORMATION CONTAINED IN THIS DRAWING IS THE SOLE PROPERTY OF ELECTRONIC SYSTEMS SUPPORT. ANY REPRODUCTION IN PART OR AS A WHOLE WITHOUT THE WRITTEN PERMISSION OF ELECTRONIC SYSTEMS SUPPORT IS PROHIBITED.

UNLESS OTHERWISE SPECIFIED: DIMENSIONS ARE IN INCHES		Electronic Systems Support www.ess.to		3233 W. Kingsley Rd. Garland, Texas 75041 PH. 972-272-2468 FAX 972-276-9844	
TITLE: CUSTOMER DRAWING, STANDARD DATA CABINET					
PROJECTION: 	NAME	DATE	SIZE	DWG. NO.	REV
DRAWN BY: RNA		11-29-30	D	SDC-424124-SPEC	
SCALE: 1:16				SHEET 1 OF 1	