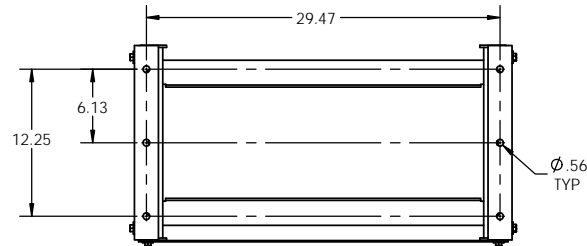
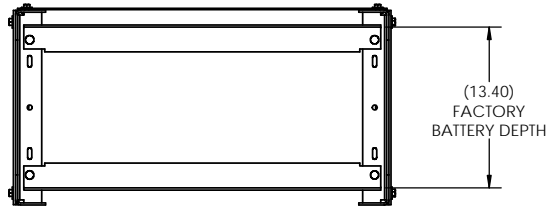


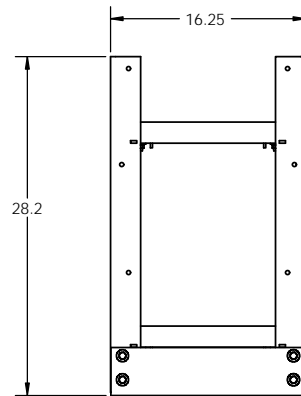
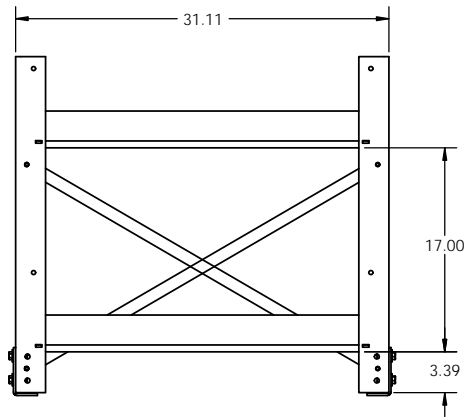
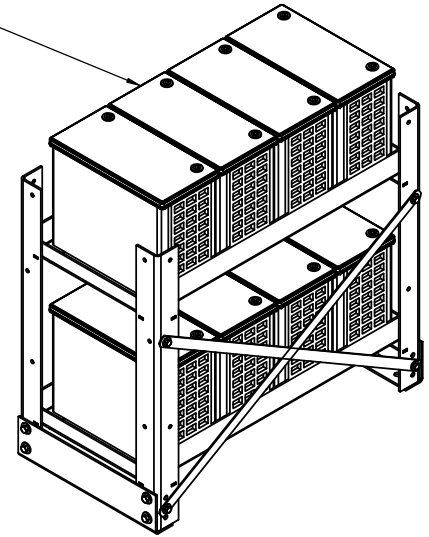
NOTES:

1. MATERIAL: HEAVY GAUGE WELDED STEEL
2. FINISH: POWDER COAT ASA 61 GRAY
3. APPROXIMATE UNPACKAGED RACK WEIGHT: 80 LBS.
4. FRAME CONSTRUCTION, BATTERY SUPPORT RAIL DESIGN, AND SEISMIC BRACKET OPTIONS ARE SEISMIC CERTIFIED TO UBC (UNIFORM BUILDING CODE) SECTION 1632.



BOTTOM VIEW  
OPTIONAL SEISMIC MOUNTING FOOTPRINT

BATTERIES SHOWN FOR  
REFERENCE ONLY.  
SOLD SEPARATELY



MAX BATTERY CAPACITY	
BATTERY TYPE	QTY
100 wpc	10
250 wpc - 800 wpc	8

PROPRIETARY AND CONFIDENTIAL  
THE INFORMATION CONTAINED IN THIS  
DRAWING IS THE SOLE PROPERTY OF  
ELECTRONIC SYSTEMS SUPPORT. ANY  
REPRODUCTION IN PART OR AS A WHOLE  
WITHOUT THE WRITTEN PERMISSION OF  
ELECTRONIC SYSTEMS SUPPORT IS  
PROHIBITED.

UNLESS OTHERWISE SPECIFIED: DIMENSIONS ARE IN INCHES		 <b>Electronic Systems Support</b> www.ess.to		3233 W. Kingsley Rd. Garland, Texas 75041 PH. 972-272-2468 FAX 972-276-9844	
TITLE: BATTERY RACK, VRLA, 2 TIER/4 WIDE, SEISMIC Z4					
PROJECTION: 	NAME: RNA	DATE: 07-20-09	SIZE: C	DWG. NO.: R2T4Z4-SPEC	REV: B
SCALE: 1:8				SHEET 1 OF 1	