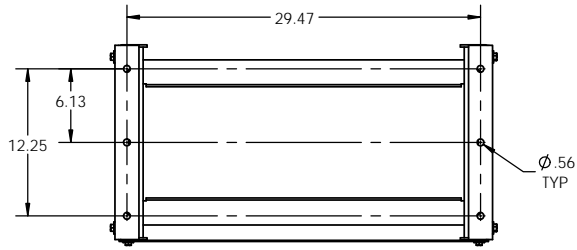
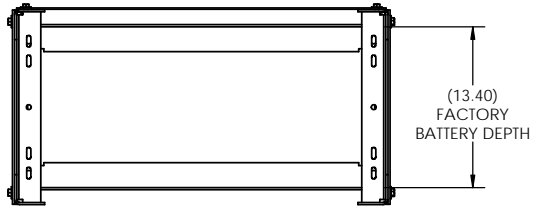


NOTES:

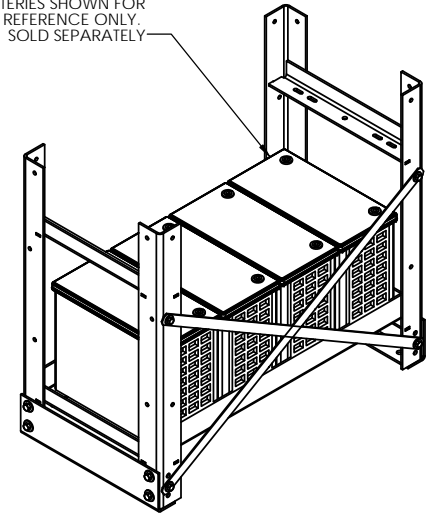
1. MATERIAL: HEAVY GAUGE WELDED STEEL
2. FINISH: POWDER COAT ASA 61 GRAY
3. APPROXIMATE UNPACKAGED RACK WEIGHT: 65 LBS.
4. FRAME CONSTRUCTION, BATTERY SUPPORT RAIL DESIGN, AND SEISMIC BRACKET OPTIONS ARE SEISMIC CERTIFIED TO UBC (UNIFORM BUILDING CODE) SECTION 1632.



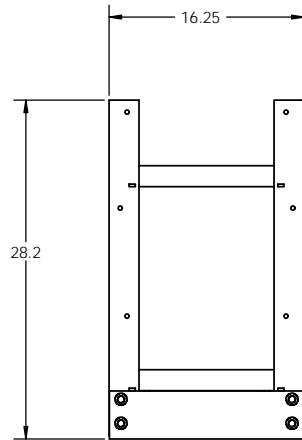
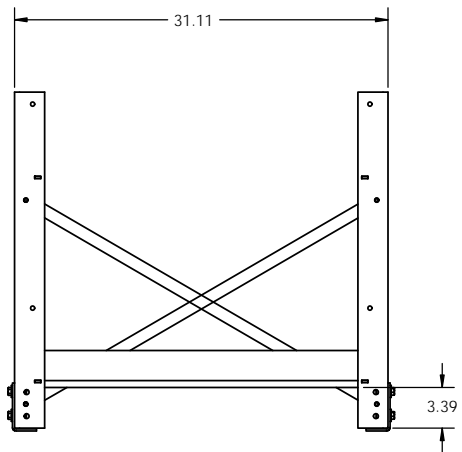
BOTTOM VIEW
OPTIONAL SEISMIC MOUNTING FOOTPRINT



BATTERIES SHOWN FOR
REFERENCE ONLY.
SOLD SEPARATELY



REAR ISO VIEW



MAX BATTERY CAPACITY	
BATTERY TYPE	QTY
100 wpc	5
250 wpc - 800 wpc	4

PROPRIETARY AND CONFIDENTIAL
THE INFORMATION CONTAINED IN THIS
DRAWING IS THE SOLE PROPERTY OF
ELECTRONIC SYSTEMS SUPPORT. ANY
REPRODUCTION IN PART OR AS A WHOLE
WITHOUT THE WRITTEN PERMISSION OF
ELECTRONIC SYSTEMS SUPPORT IS
PROHIBITED.

UNLESS OTHERWISE SPECIFIED: DIMENSIONS ARE IN INCHES		 Electronic Systems Support www.ess.to		3233 W. Kingsley Rd. Garland, Texas 75041 PH. 972-272-2468 FAX 972-276-9844	
TITLE: BATTERY RACK, VRLA, 1 TIER/4 WIDE, SEISMIC Z4					
PROJECTION: ①	NAME: RNA	DATE: 07-20-09	SIZE: C	DWG. NO.: RT14Z4-SPEC	REV: B
SCALE: 1:8				SHEET 1 OF 1	