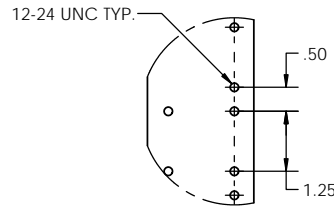
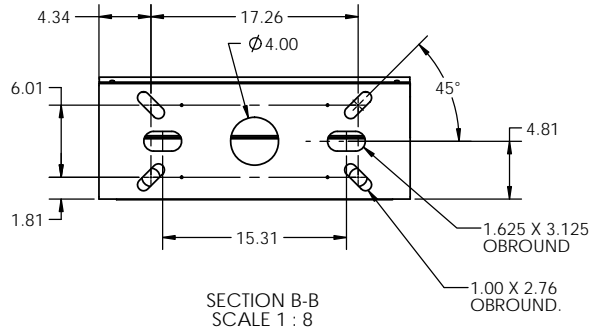
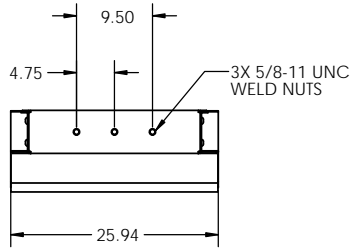


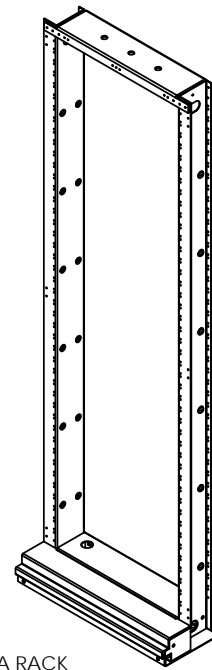
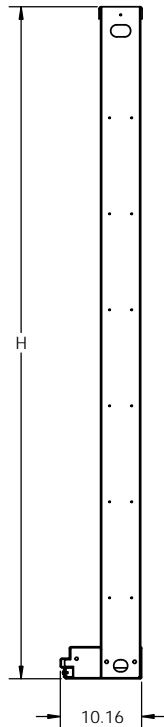
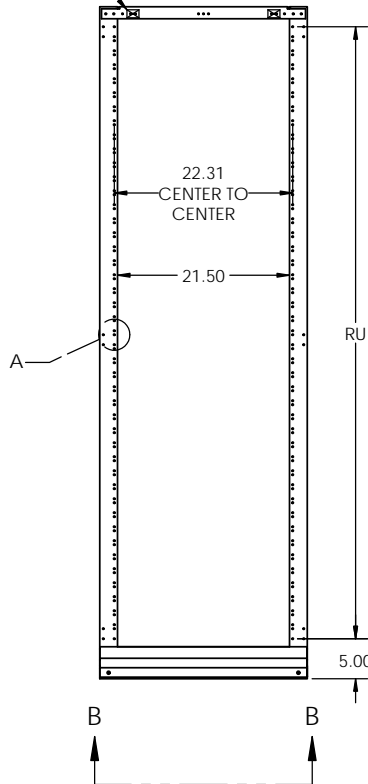
NOTES:

1. MATERIAL: HEAVY GAUGE WELDED STEEL FRAME
2. STANDARD FINISH: TELCO GRAY POWDER COAT (OTHER COLORS AVAILABLE)
3. STATIC RATING: 850 LBS
4. HEIGHTS LISTED IN TABLE 1 ARE STANDARD HEIGHTS. SEE PART NUMBER LEGEND FOR ADDITIONAL HEIGHTS AVAILABLE.
5. IT IS RECOMMENDED TO SUPPORT RACKS TALLER THAN 8 FT. FROM TOP IN ADDITION TO FLOOR MOUNTING.



DETAIL A  
SCALE 1 : 2  
EIA HOLE SPACING

MASKED GROUND PROVISIONS FRONT AND REAR



EIA RACK

**NETWORK BAYS PART NUMBER LEGEND**

NB B 31 084 A A

A	TELCO GRAY
B	BLACK
C	BLUE
D	WHITE
E	CREAM
F	KONE GRAY

HOLE SPACING	
A	EIA HOLE SPACING

060	5'
066	5'6"
072	6'
078	6'6"
084	7'
090	7'6"
096	8'
102	8'6"
108	9'
114	9'6"
120	10'
126	10'6"
132	11'
138	11'6"

31	CLOSED DUCT
32	OPEN DUCT
33	CLOSED DUCT (TOP ANGLE OPTION)
34	OPEN DUCT (TOP ANGLE OPTION)

RACK WIDTH	
B	23" PANEL MOUNTING

SNB	
NB	STANDARD NETWORK BAY

MODEL NO.	RACK UNITS (RU)	HEIGHT (H)	WEIGHT (LBS.)
NBB31084Ax	44	84	86
NBB31090Ax	47	90	89
NBB31096Ax	50	96	92
NBB31108Ax	57	108	98
NBB31138Ax	74	138	113

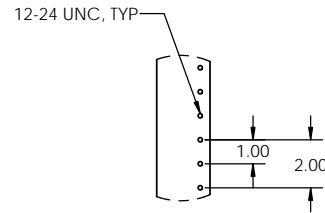
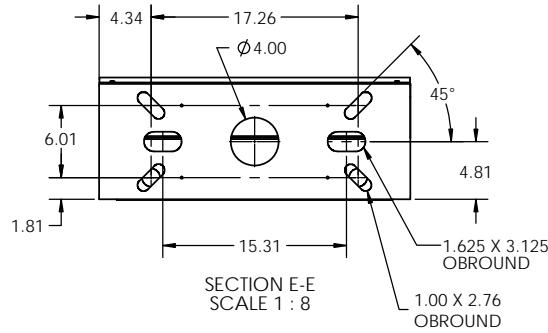
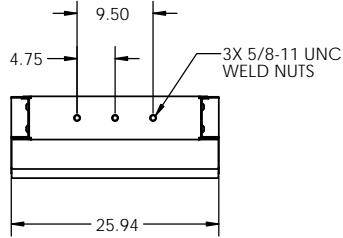
\*\*LAST DIGIT (X) OF THE ABOVE PART NUMBER REPRESENTS COLOR. SEE PART NUMBER LEGEND TO COMPLETE PART NUMBER.

PROPRIETARY AND CONFIDENTIAL  
THE INFORMATION CONTAINED IN THIS DRAWING IS THE SOLE PROPERTY OF ELECTRONIC SYSTEMS SUPPORT. ANY REPRODUCTION IN PART OR AS A WHOLE WITHOUT THE WRITTEN PERMISSION OF ELECTRONIC SYSTEMS SUPPORT IS PROHIBITED.

UNLESS OTHERWISE SPECIFIED: DIMENSIONS ARE IN INCHES		<b>Electronic Systems Support</b> www.ess.to		3233 W. Kingsley Rd. Garland, Texas 75041 PH. 972-272-2468 FAX 972-276-9844	
TITLE: NETWORK BAY, 23" NON-SEISMIC, CLOSED DUCT					
PROJECTION:	NAME:	DATE:	SIZE: <b>C</b>	DWG. NO.: NBB31xxxx-SPEC	REV: A
DRAWN BY: RNJ	DATE: 11/7/17	SCALE: 1:12		SHEET 1 OF 2	

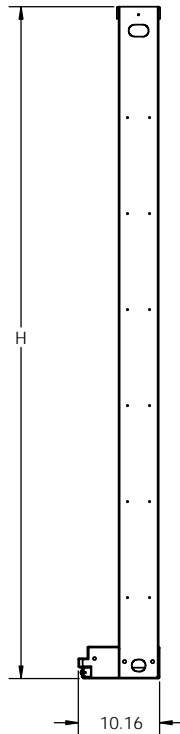
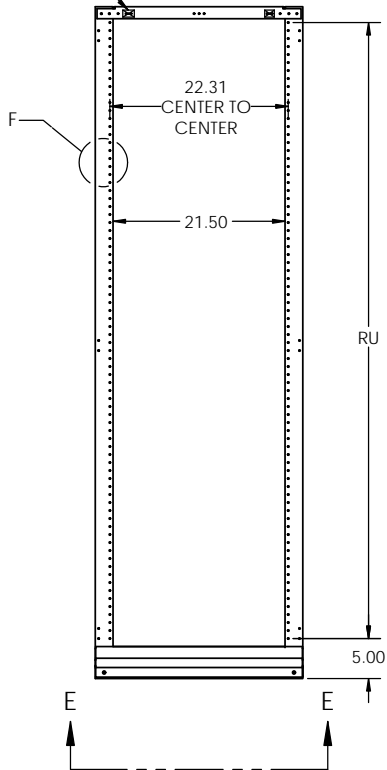
NOTES:

1. MATERIAL: HEAVY GAUGE WELDED STEEL FRAME
2. STANDARD FINISH: TELCO GRAY POWDER COAT (OTHER COLORS AVAILABLE)
3. STATIC RATING: 850 LBS
4. HEIGHTS LISTED IN TABLE 1 ARE STANDARD HEIGHTS. SEE PART NUMBER LEGEND FOR ADDITIONAL HEIGHTS AVAILABLE.
5. IT IS RECOMMENDED TO SUPPORT RACKS TALLER THAN 8 FT. FROM TOP IN ADDITION TO FLOOR MOUNTING.

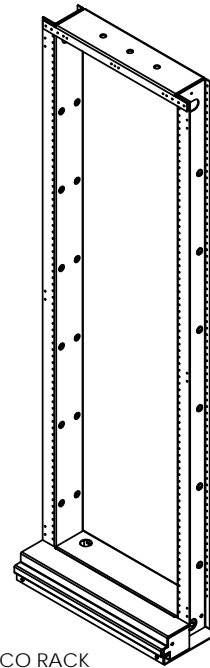


DETAIL F SCALE 1:4 WECO HOLE SPACING

MASKED GROUND PROVISIONS FRONT AND REAR



WECO RACK



NETWORK BAYS PART NUMBER LEGEND

NB B 31 084 B A

A	TELCO GRAY
B	BLACK
C	BLUE
D	WHITE
E	CREAM
F	KONE GRAY

HOLE SPACING  
B WECO HOLE SPACING

060	5'
066	5'6"
072	6'
078	6'6"
084	7'
090	7'6"
096	8'
102	8'6"
108	9'
114	9'6"
120	10'
126	10'6"
132	11'
138	11'6"

31	CLOSED DUCT
32	OPEN DUCT
33	CLOSED DUCT (TOP ANGLE OPTION)
34	OPEN DUCT (TOP ANGLE OPTION)

RACK WIDTH	
B	23" PANEL MOUNTING

SNB	
NB	STANDARD NETWORK BAY

TABLE 1

MODEL NO.	RACK UNITS (RU)	HEIGHT (H)	WEIGHT (LBS.)
NBB31084Bx	39	84	86
NBB31090Bx	42	90	89
NBB31096Bx	45	96	92
NBB31108Bx	51	108	98
NBB31138Bx	66	138	113

\*\*LAST DIGIT (X) OF THE ABOVE PART NUMBER REPRESENTS COLOR. SEE PART NUMBER LEGEND TO COMPLETE PART NUMBER.

PROPRIETARY AND CONFIDENTIAL  
THE INFORMATION CONTAINED IN THIS DRAWING IS THE SOLE PROPERTY OF ELECTRONIC SYSTEMS SUPPORT. ANY REPRODUCTION IN PART OR AS A WHOLE WITHOUT THE WRITTEN PERMISSION OF ELECTRONIC SYSTEMS SUPPORT IS PROHIBITED.

UNLESS OTHERWISE SPECIFIED: DIMENSIONS ARE IN INCHES

**ESS** Electronic Systems Support  
www.ess.to

3233 W. Kingsley Rd.  
Garland, Texas 75041  
PH. 972-272-2468  
FAX 972-276-9844

TITLE: NETWORK BAY, 23" NON-SEISMIC, CLOSED DUCT

PROJECTION:	SIZE: C	DWG. NO.: NBB31xxxx-SPEC	REV: A
DRAWN BY: RNJ	DATE: 11/7/17	SCALE: 1:12	SHEET 2 OF 2