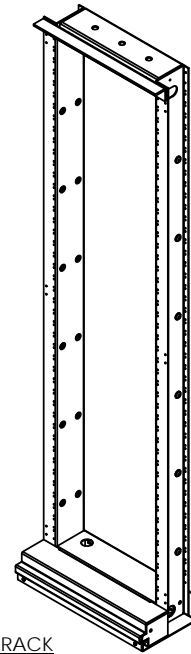
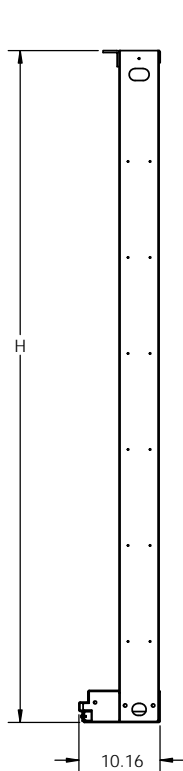
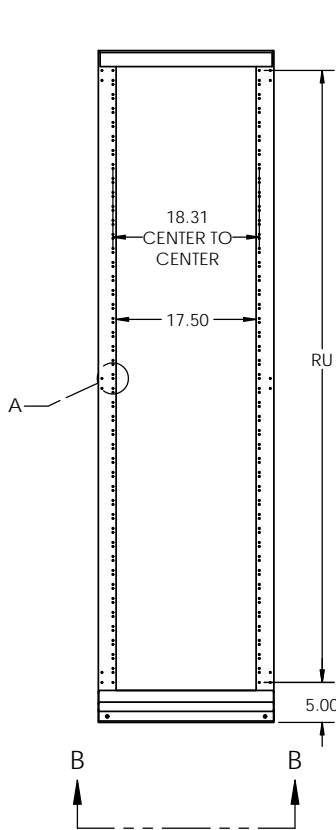
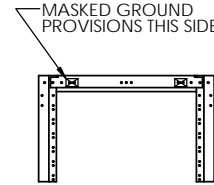
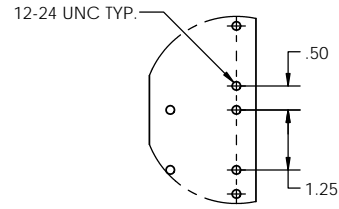
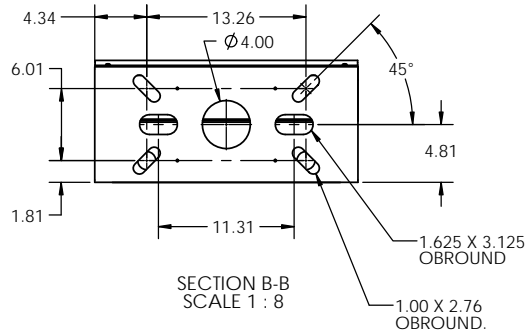
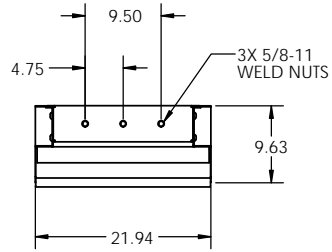


NOTES:

1. MATERIAL: HEAVY GAUGE WELDED STEEL FRAME
2. STANDARD FINISH: TELCO GRAY POWDER COAT (OTHER COLORS AVAILABLE)
3. STATIC RATING: 850 LBS
4. HEIGHTS LISTED IN TABLE 1 ARE STANDARD HEIGHTS. SEE PART NUMBER LEGEND FOR ADDITIONAL HEIGHTS AVAILABLE.
5. IT IS RECOMMENDED TO SUPPORT RACKS TALLER THAN 8 FT. FROM TOP IN ADDITION TO FLOOR MOUNTING.



NETWORK BAYS PART NUMBER LEGEND

NB A 33 084 A A

A	TELCO GRAY
B	BLACK
C	BLUE
D	WHITE
E	CREAM
F	KONE GRAY

HOLE SPACING	
A	EIA HOLE SPACING

060	5'
066	5'6"
072	6'
078	6'6"
084	7'
090	7'6"
096	8'
102	8'6"
108	9'
114	9'6"
120	10'
126	10'6"
132	11'
138	11'6"

31	CLOSED DUCT
32	OPEN DUCT
33	CLOSED DUCT (TOP ANGLE OPTION)
34	OPEN DUCT (TOP ANGLE OPTION)

RACK WIDTH	
A	19" PANEL MOUNTING

RACK TYPE	
NB	STANDARD NETWORK BAY

TABLE 1

MODEL NO.	RACK UNITS (RU)	HEIGHT (H)	WEIGHT (LBS.)
NBA33084Ax	44	84	79
NBA33090Ax	47	90	82
NBA33096Ax	50	96	85
NBA33108Ax	57	108	91
NBA33138Ax	74	138	106

**LAST DIGIT (X) OF THE ABOVE PART NUMBER REPRESENTS COLOR. SEE PART NUMBER LEGEND TO COMPLETE PART NUMBER.

PROPRIETARY AND CONFIDENTIAL
THE INFORMATION CONTAINED IN THIS DRAWING IS THE SOLE PROPERTY OF ELECTRONIC SYSTEMS SUPPORT. ANY REPRODUCTION IN PART OR AS A WHOLE WITHOUT THE WRITTEN PERMISSION OF ELECTRONIC SYSTEMS SUPPORT IS PROHIBITED.

UNLESS OTHERWISE SPECIFIED: DIMENSIONS ARE IN INCHES

ESS Electronic Systems Support
www.ess.to

3233 W. Kingsley Rd.
Garland, Texas 75041
PH. 972-272-2468
FAX 972-276-9844

TITLE: NETWORK BAY, 19", NON-SEISMIC, CLOSED DUCT, W/ TOP ANGLE

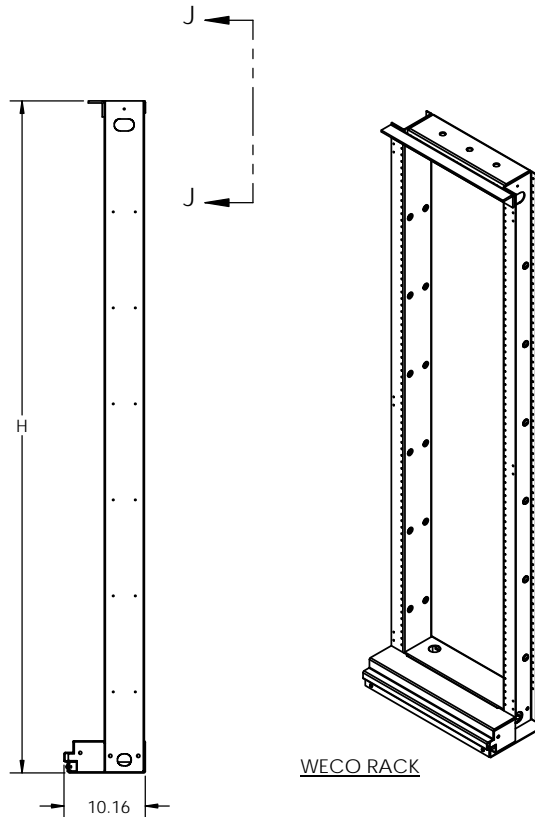
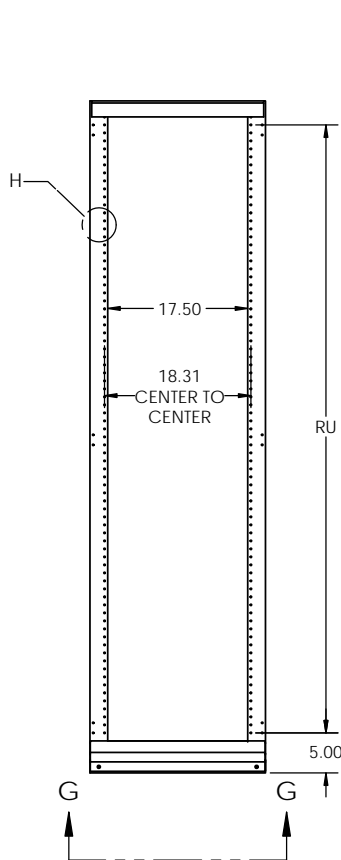
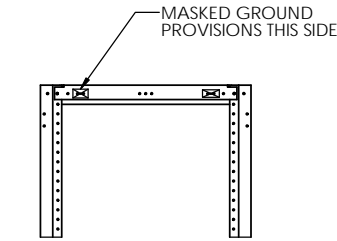
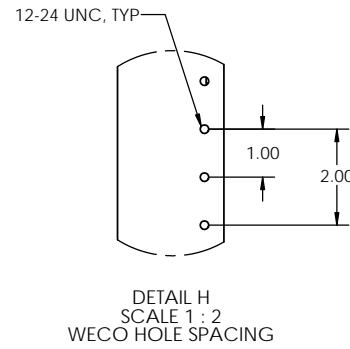
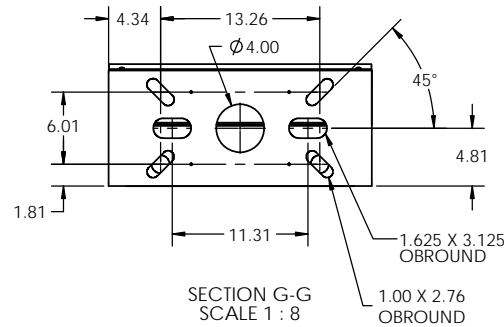
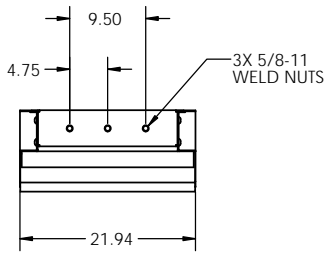
PROJECTION:

DRAWN BY: RNJ	DATE: 11/8/17	SIZE: C	DWG. NO.: NBA33xxxxx-SPEC	REV: A
---------------	---------------	---------	---------------------------	--------

SCALE: 1:12 SHEET 1 OF 2

NOTES:

1. MATERIAL: HEAVY GAUGE WELDED STEEL FRAME
2. STANDARD FINISH: TELCO GRAY POWDER COAT (OTHER COLORS AVAILABLE)
3. STATIC RATING: 850 LBS
4. HEIGHTS LISTED IN TABLE 1 ARE STANDARD HEIGHTS. SEE PART NUMBER LEGEND FOR ADDITIONAL HEIGHTS AVAILABLE.
5. IT IS RECOMMENDED TO SUPPORT RACKS TALLER THAN 8 FT. FROM TOP IN ADDITION TO FLOOR MOUNTING.



WECO RACK

NETWORK BAYS PART NUMBER LEGEND

NB	A	33	084	B	A
----	---	----	-----	---	---

A	TELCO GRAY
B	BLACK
C	BLUE
D	WHITE
E	CREAM
F	KONE GRAY

HOLE SPACING	
B	WECO HOLE SPACING

060	5'
066	5'6"
072	6'
078	6'6"
084	7'
090	7'6"
096	8'
102	8'6"
108	9'
114	9'6"
120	10'
126	10'6"
132	11'
138	11'6"

31	CLOSED DUCT
32	OPEN DUCT
33	CLOSED DUCT (TOP ANGLE OPTION)
34	OPEN DUCT (TOP ANGLE OPTION)

RACK WIDTH	
A	19" PANEL MOUNTING

RACK TYPE	
NB	STANDARD NETWORK BAY

MODEL NO.	RACK UNITS (RU)	HEIGHT (H)	WEIGHT (LBS.)
NBA33084Bx	39	84	79
NBA33090Bx	42	90	82
NBA33096Bx	45	96	85
NBA33108Bx	51	108	91
NBA33138Bx	66	138	106

**LAST DIGIT (X) OF THE ABOVE PART NUMBER REPRESENTS COLOR. SEE PART NUMBER LEGEND TO COMPLETE PART NUMBER.

PROPRIETARY AND CONFIDENTIAL
THE INFORMATION CONTAINED IN THIS DRAWING IS THE SOLE PROPERTY OF ELECTRONIC SYSTEMS SUPPORT. ANY REPRODUCTION IN PART OR AS A WHOLE WITHOUT THE WRITTEN PERMISSION OF ELECTRONIC SYSTEMS SUPPORT IS PROHIBITED.

UNLESS OTHERWISE SPECIFIED: DIMENSIONS ARE IN INCHES		Electronic Systems Support www.ess.to		3233 W. Kingsley Rd. Garland, Texas 75041 PH. 972-272-2468 FAX 972-276-9844	
TITLE: NETWORK BAY, 19", NON-SEISMIC, CLOSED DUCT, W/ TOP ANGLE					
PROJECTION:	NAME: _____	DATE: _____	SIZE: DWG. NO. _____	REV: _____	REV: _____
DRAWN BY: RNJ	DATE: 11/8/17	C		NBA33xxxxx-SPEC	
SCALE: 1:12			SHEET 2 OF 2		