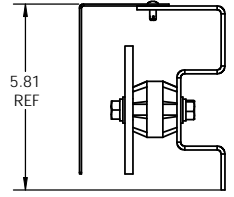
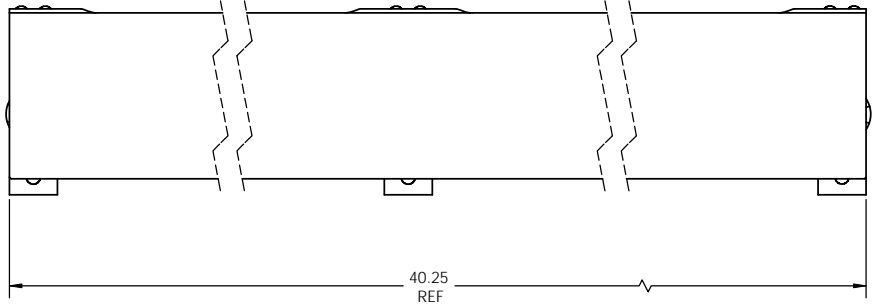
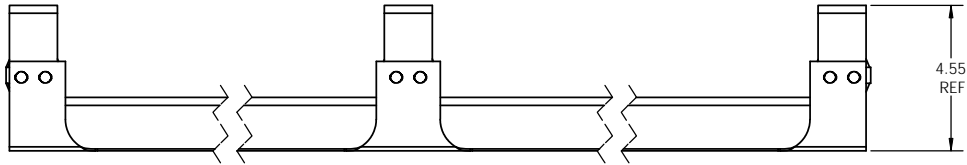
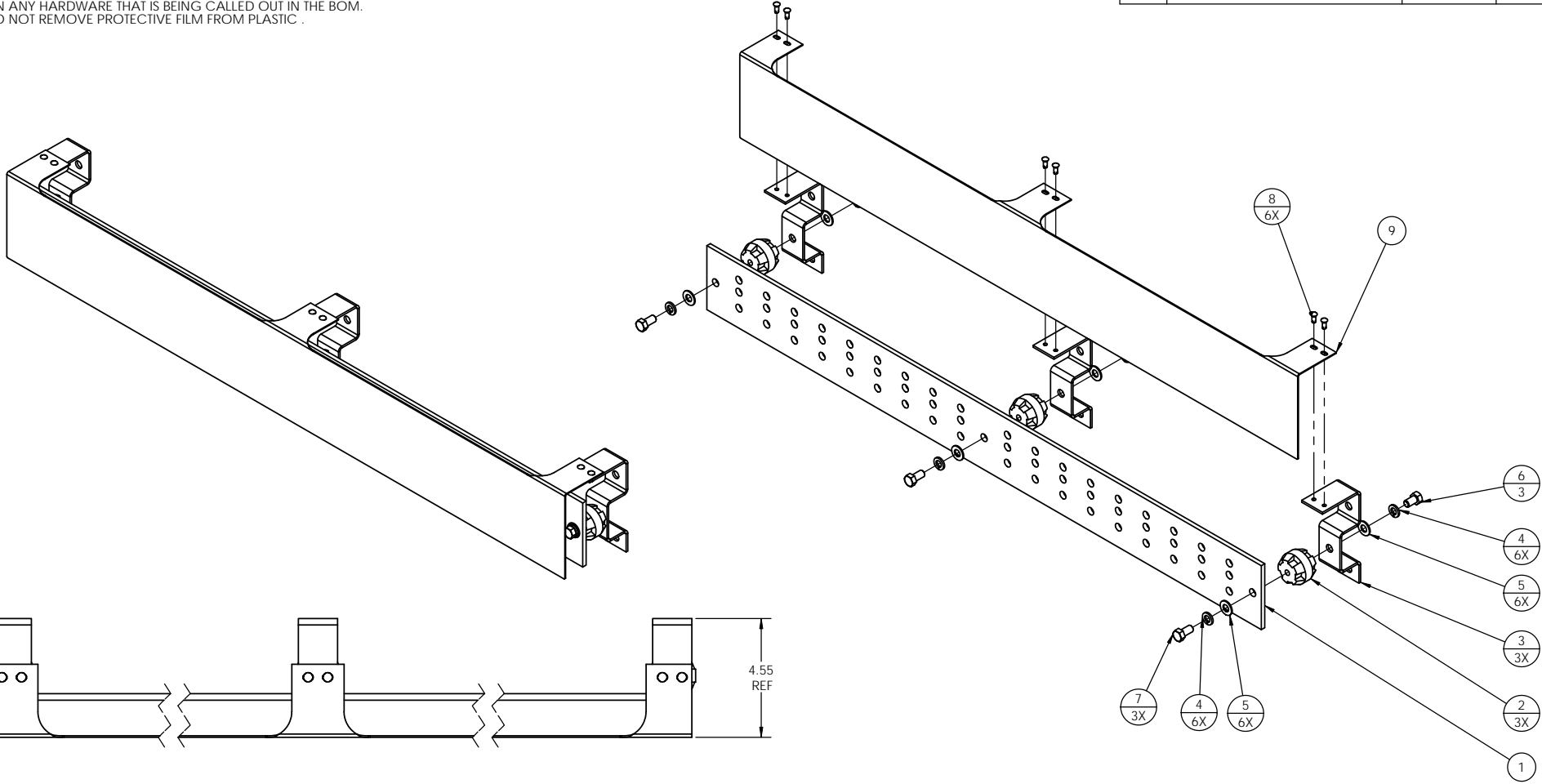


NOTES:

1. MATERIAL: SEE BOM
2. FINISH: NONE
3. ASSEMBLE AS SHOWN IN VIEWS.
4. USE HARDWARE DESCRIBED IN BOM ONLY. SPEAK TO ENGINEER PRIOR TO MAKING CHANGES
5. ON ANY HARDWARE THAT IS BEING CALLED OUT IN THE BOM.
6. DO NOT REMOVE PROTECTIVE FILM FROM PLASTIC.

REVISIONS			
REV.	DESCRIPTION	DATE	APPROVED
A	ORIGINATION	5/6/2009	RNA/GGR



ITEM NO.	PART NUMBER	DESCRIPTION	QTY.
9	GB04SHLD40	SHIELD, GROUND BAR KIT, 4" X 40"	1
8	EH00033	PUSH NYLON RIVET, BLK, .20T HOLE, .313 THKNESS	6
7	EH00031	HBOLT 0.3750-16x0.75, Z.P.	3
6	EH00032	HBOLT 0.3750-16x0.625, Z.P.	3
5	EH00012	5/16" FLAT WASHER, Z.P.	6
4	EH00013	3/8" LOCK WASHER, Z.P.	6
3	GBBKT001	GROUND BAR BRACKET, WITH COVER	3
2	8160310	INSULATOR STANDOFF, 600V, 3/8-16 (1603-2A)	3
1	BB044018	BUSS BAR, 4" X 40" X .25", 18 POS.	1

UNLESS OTHERWISE SPECIFIED:		ESS ELECTRONIC SYSTEM SUPPORT 888-475-9292 www.ess.to		110 AUSTIN STREET GARLAND, TX 75040 PH. 972-272-2468 FAX 972-276-9844	
DIMENSIONS ARE IN INCHES TOLERANCES:		DRAWN	NAME	DATE	TITLE
ANGULAR: MACH ± .5 BEND ±1		RNA	RNA	05-08-09	GROUND BAR KIT WITH COVER, 4" X 40" X .25", 18 POS.
TWO PLACE DECIMAL ± .01		CHECKED			SIZE DWG. NO. REV
THREE PLACE DECIMAL ± .005		ENG APPR			C GB044018WC A
PROJECTION	SEE BOM	MFG APPR			SCALE: 1:4 WEIGHT: SHEET 1 OF 1
MATERIAL	NONE	C.A.			
FINISH	NONE				
USED ON	DO NOT SCALE DRAWING				

PROPRIETARY AND CONFIDENTIAL
 THE INFORMATION CONTAINED IN THIS
 DRAWING IS THE SOLE PROPERTY OF
 ELECTRONIC SYSTEMS SUPPORT. ANY
 REPRODUCTION IN PART OR AS A WHOLE
 WITHOUT THE WRITTEN PERMISSION OF
 ELECTRONIC SYSTEMS SUPPORT IS
 PROHIBITED.