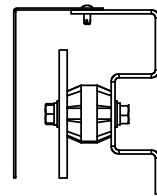
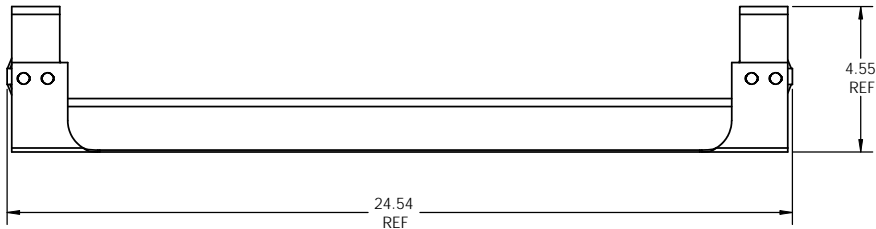
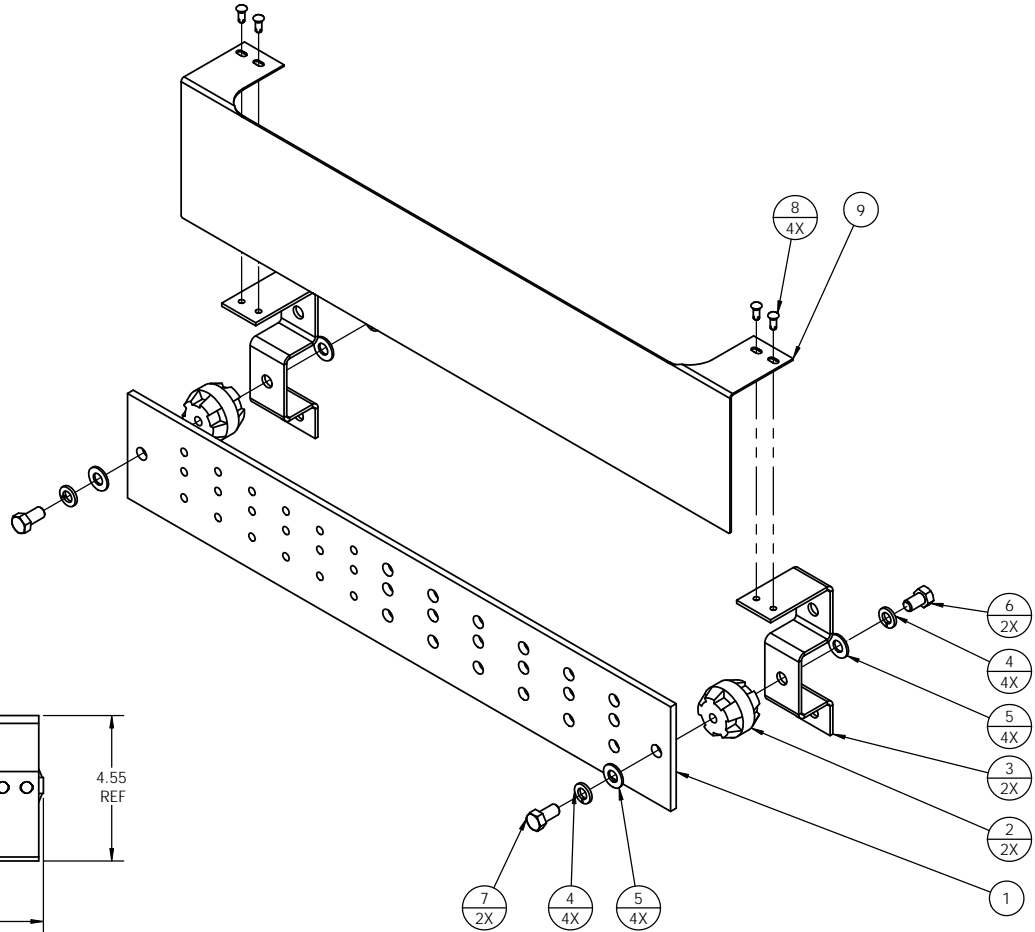
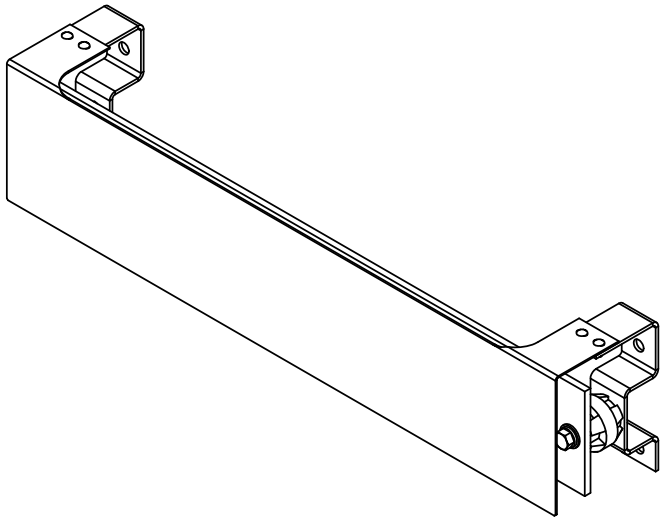


NOTES:

1. MATERIAL: SEE BOM
2. FINISH: NONE
3. ASSEMBLE AS SHOWN IN VIEWS.
4. USE HARDWARE DESCRIBED IN BOM ONLY. SPEAK TO ENGINEER PRIOR TO MAKING CHANGES
5. ON ANY HARDWARE THAT IS BEING CALLED OUT IN THE BOM.
6. DO NOT REMOVE PROTECTIVE FILM FROM PLASTIC .

REVISIONS			
REV.	DESCRIPTION	DATE	APPROVED
A	ORIGINATION	5/6/2009	RNA/GGR



ITEM NO.	PART NUMBER	DESCRIPTION	QTY.
9	GB04SHLD24	SHIELD, GROUND BAR KIT, 4" X 24"	1
8	EH00033	PUSH NYLON RIVET, BLK, .201 HOLE, .313 THKNESS	4
7	EH00031	HBOLT 0.3750-16x0.75, Z.P.	2
6	EH00032	HBOLT 0.3750-16x0.625, Z.P.	2
5	EH00012	5/16" FLAT WASHER, Z.P.	4
4	EH00013	3/8" LOCK WASHER, Z.P.	4
3	GBBKT001	GROUND BAR BRACKET, WITH COVER	2
2	8160310	INSULATOR STAND OFF, 600V, 3/8-16 (1603-2A)	2
1	BB042412	BUSS BAR, 4" X 24" X .25", 12 POS.	1

UNLESS OTHERWISE SPECIFIED:		ESS ELECTRONIC SYSTEM SUPPORT 888-475-9292 www.ess.to		110 AUSTIN STREET GARLAND, TX 75040 PH. 972-272-2468 FAX 972-276-9844	
DIMENSIONS ARE IN INCHES TOLERANCES:		DRAWN	NAME	DATE	TITLE
ANGULAR: MACH ± .5 BEND ±1		CHECKED	RNA	05-08-09	GROUND BAR KIT WITH COVER, 4" X 24" X .25", 12 POS.
TWO PLACE DECIMAL ± .01		ENG APPR			
THREE PLACE DECIMAL ± .005		MFG APPR			SIZE DWG. NO. REV
PROJECTION:		C.A.			C GB042412WC A
MATERIAL: SEE BOM		USED ON		SCALE: 1:4 WEIGHT: SHEET 1 OF 1	
FINISH: NONE					
DO NOT SCALE DRAWING					

PROPRIETARY AND CONFIDENTIAL
THE INFORMATION CONTAINED IN THIS DRAWING IS THE SOLE PROPERTY OF ELECTRONIC SYSTEMS SUPPORT. ANY REPRODUCTION IN PART OR AS A WHOLE WITHOUT THE WRITTEN PERMISSION OF ELECTRONIC SYSTEMS SUPPORT IS PROHIBITED.