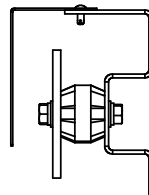
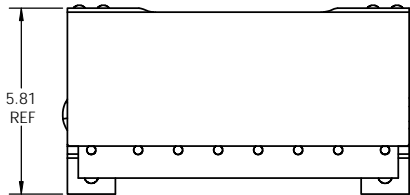
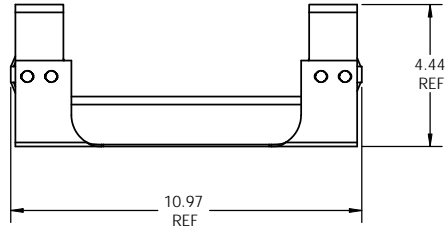
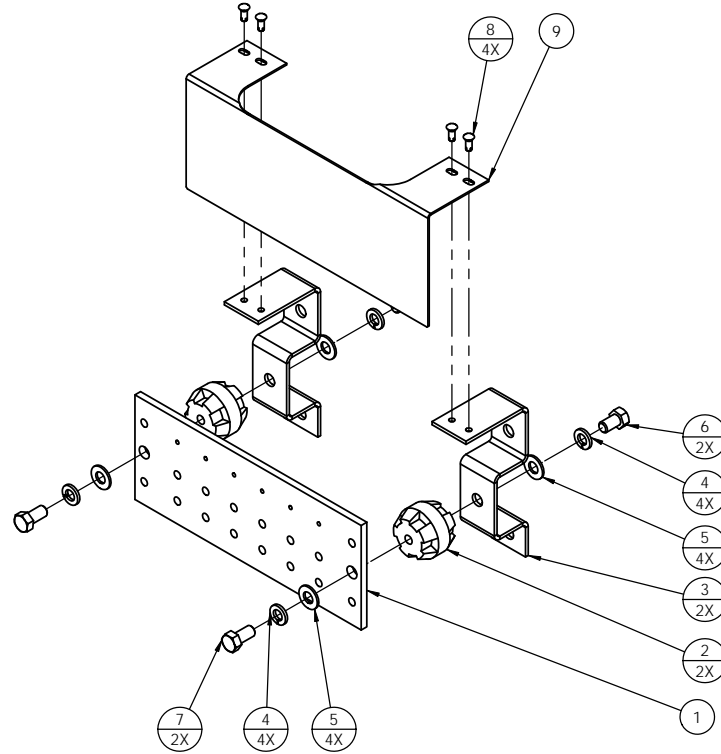
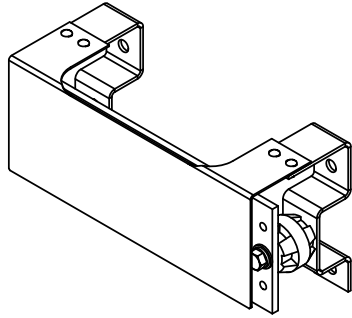


NOTES:

1. MATERIAL: SEE BOM
2. FINISH: NONE
3. ASSEMBLE AS SHOWN IN VIEWS.
4. USE HARDWARE DESCRIBED IN BOM ONLY. SPEAK TO ENGINEER PRIOR TO MAKING CHANGES
5. ON ANY HARDWARE THAT IS BEING CALLED OUT IN THE BOM.
6. DO NOT REMOVE PROTECTIVE FILM FROM PLASTIC.

REVISIONS			
REV.	DESCRIPTION	DATE	APPROVED
A	ORIGINATION	5/6/2009	RNA/GGR



ITEM NO.	PART NUMBER	DESCRIPTION	Default/ QTY
9	GB02SHLD10	SHIELD, GROUND BAR KIT, 10" X 2"	1
8	EH00033	PUSH NYLON RIVET, BLK, .201 HOLE, 313 THKNSS	4
7	EH00031	HBOLT 0.3750-16x0.75, Z.P.	2
6	EH00032	HBOLT 0.3750-16x0.625, Z.P.	2
5	EH00012	5/16" FLAT WASHER, Z.P.	4
4	EH00013	3/8" LOCK WASHER, Z.P.	4
3	GBBK001	GROUND BAR BRACKET, WITH COVER	2
2	8160310	INSULATOR STANDOFF, 600V, 3/8-16 (1603-2A)	2
1	BB041006	BUSS BAR, 4" X 10" X .25", 6 POS.	1

PROPRIETARY AND CONFIDENTIAL
 THE INFORMATION CONTAINED IN THIS DRAWING IS THE SOLE PROPERTY OF ELECTRONIC SYSTEMS SUPPORT. ANY REPRODUCTION IN PART OR AS A WHOLE WITHOUT THE WRITTEN PERMISSION OF ELECTRONIC SYSTEMS SUPPORT IS PROHIBITED.

UNLESS OTHERWISE SPECIFIED:		DIMENSIONS ARE IN INCHES		TOLERANCES:		ELECTRONIC SYSTEM SUPPORT 888-475-9292 www.ess.to		110 AUSTIN STREET GARLAND, TX 75040 PH. 972-272-2468 FAX 972-276-9844		
ANGULAR: MACH ± .5 BEND #1	TWO PLACE DECIMAL # .01	THREE PLACE DECIMAL # .005	DRAWN	NAME	DATE	TITLE:				
PROJECTION:	MATERIAL: SEE BOM	FINISH: NONE	CHECKED			GROUND BAR KIT WITH COVER, 4" X 10", 6 LOCATIONS				
USED ON	DO NOT SCALE DRAWING		ENG APPR			SIZE: C	DWG. NO: GB041006WC	REV: A		
						SCALE: 1:4	WEIGHT:	SHEET 1 OF 1		