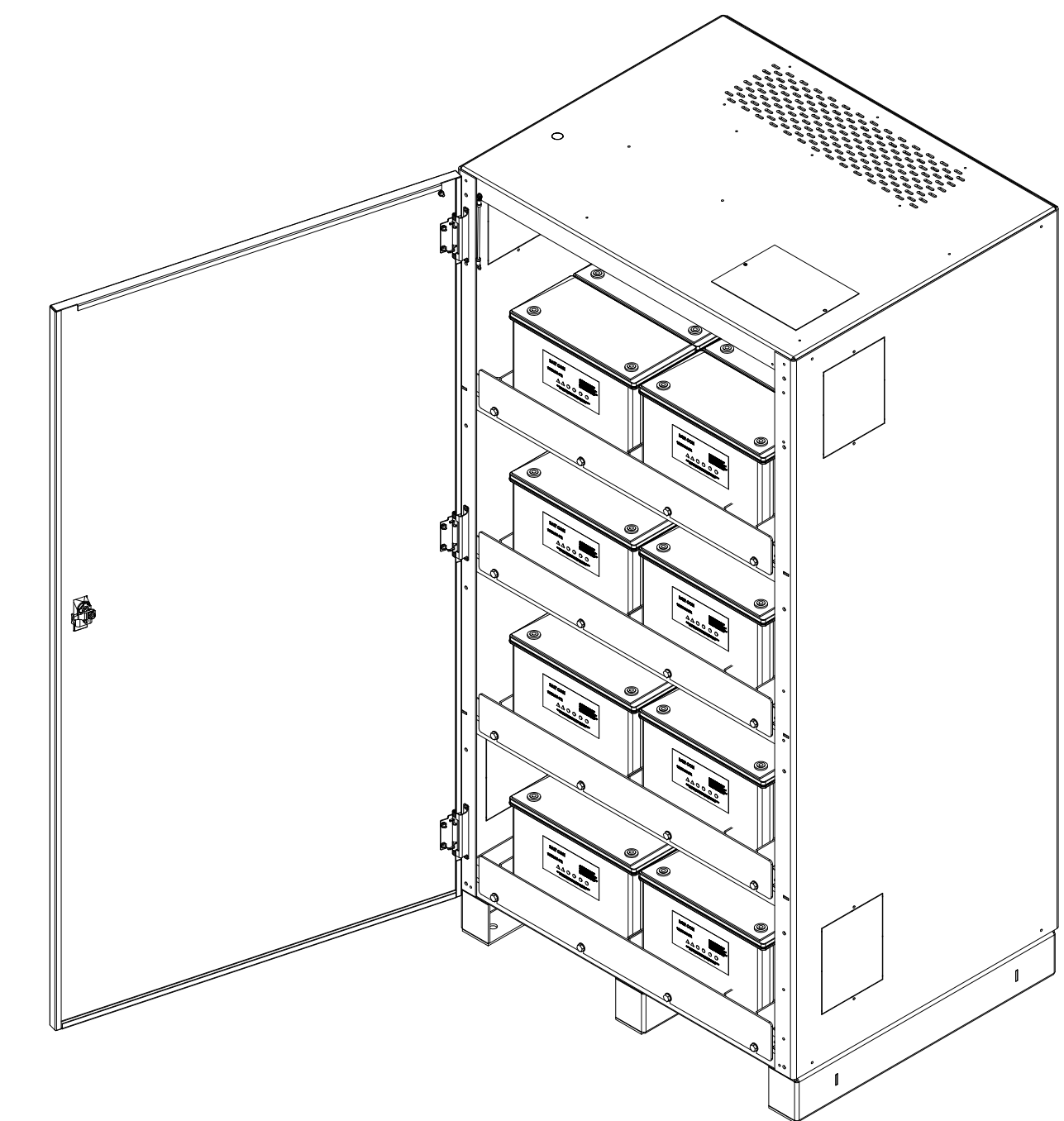


VENTILATION LOUVERS



CABINET NOTES:

1. NEMA 1 DESIGN.
2. EMPTY CABINET WEIGHT: 554 LBS
3. UL 1778 LISTED AND FULLY TESTED AT THE FACTORY PRIOR TO SHIPPING.
4. FULLY WELDED FRAME. MANUFACTURED FROM HEAVY GAUGE STEEL.
5. POWDER COATED WITH A CORROSION RESISTANT, EPOXY HYBRID POWDER USING A FIVE STAGE EMERSION PRETREATMENT PROCESS.
6. BATTERIES CAN BE ACCESSED FROM FRONT, REAR, AND BOTH SIDES.
7. CUSTOM DESIGNED PALLETS FOR SHIPPING ANYWHERE LOCALLY AND GLOBALLY (UPON REQUEST).
8. BATTERY CABINET CAN BE MOVED WITH A NORMAL PALLET JACK FROM FRONT AND REAR.
9. BATTERIES ARE SECURED WITH NON-CONDUCTIVE STRAPPING FOR FOR SAFE TRANSIT.
10. STANDARD AND CUSTOM SPILL CONTAINMENT OPTIONS ARE AVAILABLE.
11. SEE HEIGHT LEGEND TABLE FOR ADDITIONAL HEIGHTS AVAILABLE.
12. SEISMICALLY CERTIFIED TO IBC (2012), ASCE 7-10, AND CBC (2010) CODES. DESIGN MEETS DEFAULT SEISMIC DESIGN CATEGORY D ($S_s=2.9$), IMPORTANCE FACTOR 1.5, AND HORIZONTAL STATIC ACCELERATION OF .817g.

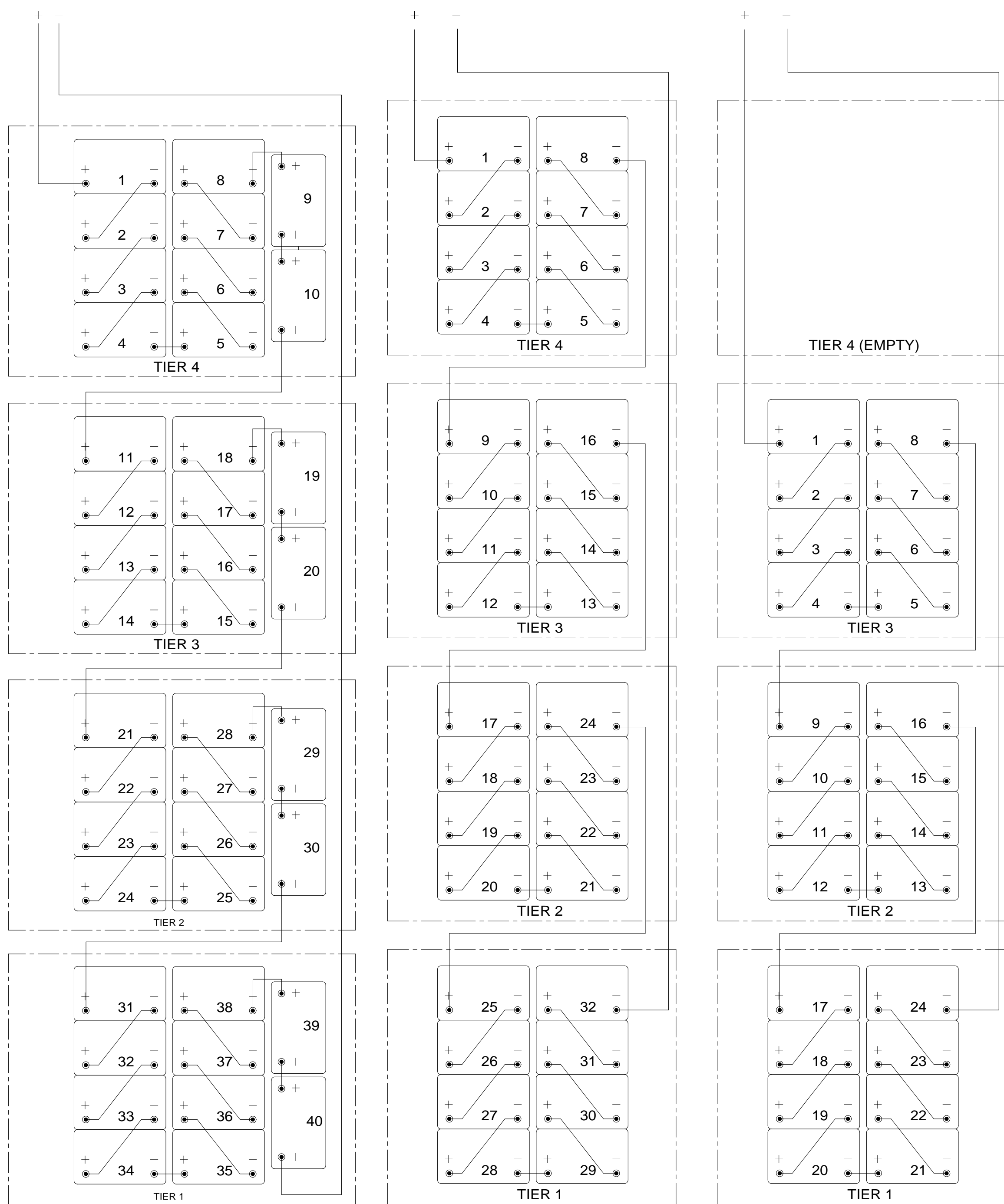
PROPRIETARY AND CONFIDENTIAL
 THE INFORMATION CONTAINED IN THIS DRAWING IS THE SOLE PROPERTY OF ELECTRONIC SYSTEMS SUPPORT. ANY REPRODUCTION IN PART OR AS A WHOLE WITHOUT THE WRITTEN PERMISSION OF ELECTRONIC SYSTEMS SUPPORT IS PROHIBITED.

UNLESS OTHERWISE SPECIFIED: DIMENSIONS ARE IN INCHES		 www.ess.to		3233 W. Kingsley Rd. Garland, Texas 75041 PH. 972-272-2468 FAX 972-276-9844	
PROJECTION: 		TITLE: BATTERY CABINET, 12V, TOP TERMINAL			
DRAWN BY: RNA	DATE: 04-05-12	SIZE: D	DWG. NO.: ETC32-SPEC	REV: D	
SCALE: 1:12			SHEET 1 OF 3		

TO BREAKER OR FUSE PANEL

TO BREAKER OR FUSE PANEL

TO BREAKER OR FUSE PANEL

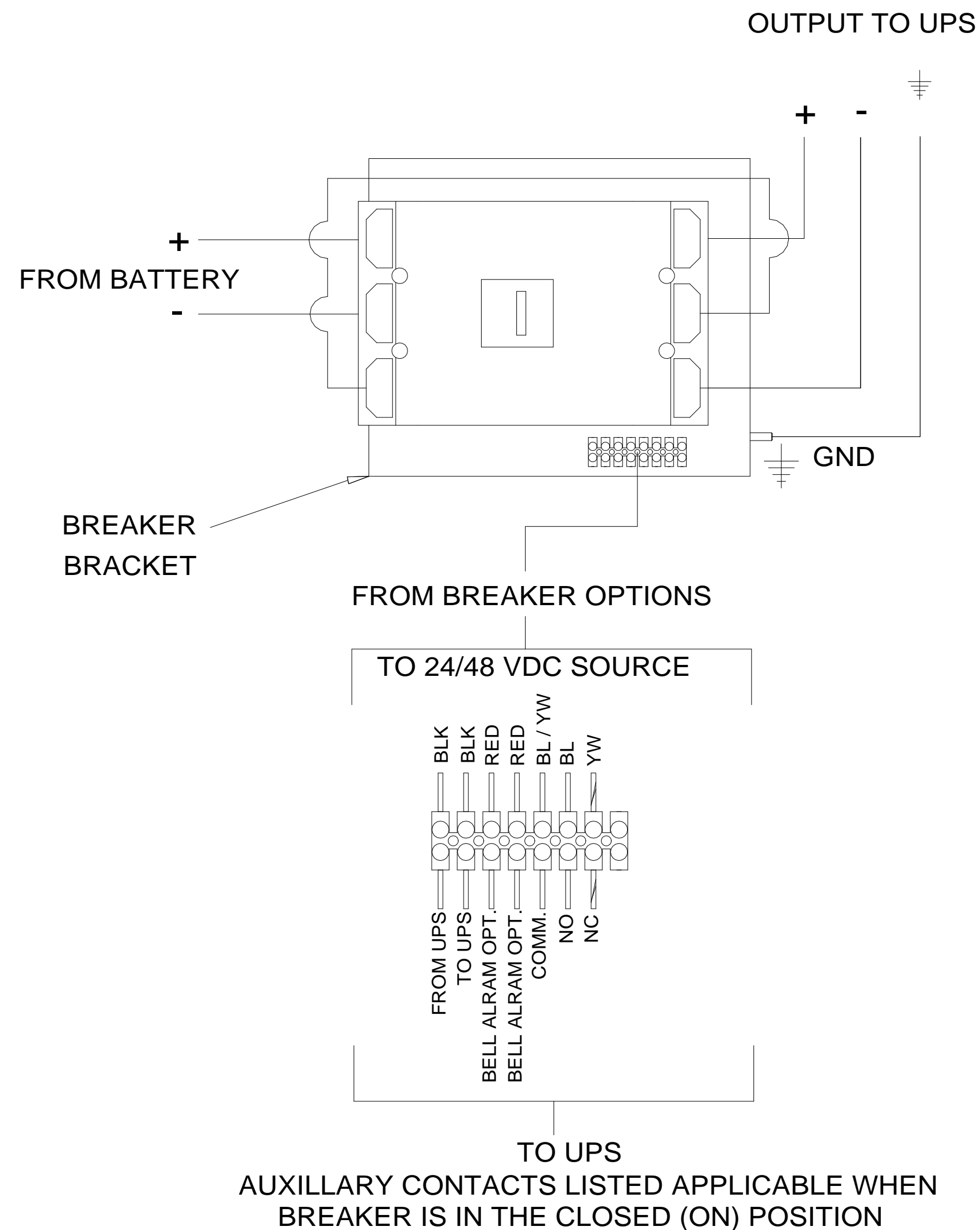


TYP 480V WIRING
(300-400 WPC ONLY)

TYP 384V WIRING
(300-400 WPC ONLY)

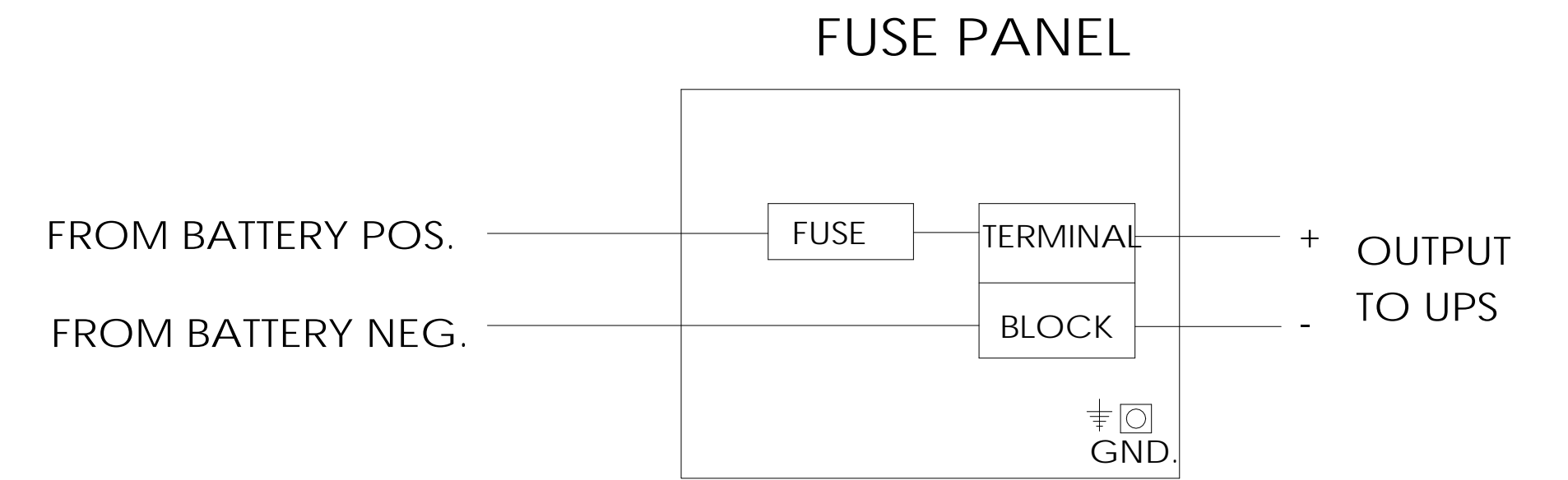
TYP 288V WIRING
(300-540 WPC)

BREAKER DETAIL



TO UPS
AUXILLARY CONTACTS LISTED APPLICABLE WHEN
BREAKER IS IN THE CLOSED (ON) POSITION

FUSE OPTION



BATTERY CONFIGURATION TABLE						
BATTERY MODEL NUMBER	BATTERY MANUFACTURER					MAXIMUM NUMBER OF BATTERIES PER CABINET
	ENERSYS	C & D	EAST PENN	GNB	NORTHSTAR	
12HX205	UPS12-210MR	45HR2000	S12V120F		HRL12200W	60
12HX300	UPS12-300MR	HR3000	S12V285F	NSB12-310	HRL12280W	40
12HX330	UPS12-350MR	HR3500	S12V300F		HRL12330W	
12HX400	UPS12-400MR	HR4000	S12V370NGF	NSB12-425	HRL12390W	32
12HX505	UPS12-490MR	31HR5000	S12V500F		HRL12500W	
12HX540	UPS12-600MR	HR5500	S12V550NGF	NSB12-540	HRL12540W	40
6HX800	UPS6-620MR		S6V740NGF			

***DUE TO THE SPACE AVAILABLE FOR MAINTENANCE, IT IS NOT RECOMMENDED TO INSTALL A FULL 480V STRING USING 400WPC BATTERIES

ELECTRICAL NOTES:

1. ALL CABLES ARE UL LISTED.
2. ALL BREAKERS ARE UL RECOGNIZED.
3. ALL FUSES ARE UL RECOGNIZED, TYPE A50P, A70P OR EQUIVALENT (FUSED CABINETS ARE NOT LISTED IN UL FILE). ALWAYS REPLACE WITH SAME TYPE OR ITS EQUIVALENT.
4. TERMINAL BLOCKS ARE UL RECOGNIZED, 600V RATED.
5. CABINETS ARE SHIPPED WITH THE BREAKER IN THE TRIPPED POSITION.
6. CABINET GROUND CONNECTION IS A 5/16-18 THREADED STUD.
7. CABLES BETWEEN BATTERY CABINET TO UNINTERRUPTIBLE POWER SUPPLY ARE OPTIONAL.

PROPRIETARY AND CONFIDENTIAL
THE INFORMATION CONTAINED IN THIS DRAWING IS THE SOLE PROPERTY OF ELECTRONIC SYSTEMS SUPPORT. ANY REPRODUCTION IN PART OR AS A WHOLE WITHOUT THE WRITTEN PERMISSION OF ELECTRONIC SYSTEMS SUPPORT IS PROHIBITED.

UNLESS OTHERWISE SPECIFIED: DIMENSIONS ARE IN INCHES		 www.ess.to		3233 W. Kingsley Rd. Garland, Texas 75041 PH. 972-272-2468 FAX 972-276-9844	
TITLE: BATTERY CABINET, 12V, TOP TERMINAL					
PROJECTION: 	NAME	DATE	SIZE	DWG. NO.	REV
DRAWN BY: RNA		04-05-12	D	ETC32-SPEC	D
SCALE: 1:12				SHEET 2 OF 3	

ESS ETC32 TOP TERMINAL CABINET SYSTEM MATRIX																				
ESS CABINET WITH BREAKER SYSTEM PART NUMBERS																				
				E	T	C	32	A	R	24	HX540	B	04	A						
DIGIT 1	DIGIT 2	DIGIT 3	DIGIT 4-5	DIGIT 6	DIGIT 7	DIGIT 8-9	DIGIT 10-14		DIGIT 15	DIGIT 16-17	DIGIT 18									
	TYPE OF BATTERY	TYPE OF CABINET OR RACK	CABINET MODEL	COLOR	HEIGHT (INCHES)	BATTERY QUANTITY	BATTERY MODEL PER MANUFACTURER		BREAKER (W/BRAND)	AMPS	BREAKER OPTION									
E = ESS STANDARD	T = TOP TERMINAL	C = CABINET	32	**A = BLACK	K = 75.3	40	ENERSYS	CSB	B = BREAKER	07 = 400 AMPS	A = 24 VDC SHUNT TRIP / SINGLE AUX									
C = CENTER TAP CABLING OPTION				B = BEIGE	L = 75.0	32	HX205 = 12HX205	HL200 = HRL12200W		08 = 350 AMPS	B = 48 VDC SHUNT TRIP / SINGLE AUX									
S = SPLIT BUS CABLING OPTION				C = LIEBERT GRAY	M = 74.8	30	HX300 = 12HX300	HL280 = HRL12280W	H = BREAKER W/HANDLE OPTION	09 = 300 AMPS	C = 24 UVR / SINGLE AUX									
				D = MITSUBISH BEIGE	N = 73.5	29	HX330 = 12HX330	HL330 = HRL12330W		10 = 250 AMPS	D = 48 UVR/SINGLE AUX									
				E = MGE WHITE	P = 72.0	27	HX400 = 12HX400	HL390 = HRL12390W		11 = 225 AMPS	E = 120 VDC SHUNT TRIP/SINGLE AUX									
				F = TOSHIBA BLACK	Q = 71.7	24	HX505 = 12HX505	HL500 = HRL12500W		12 = 200 AMPS	F = 240 VDC SHUNT TRIP / SINGLE AUX									
				G = GE WHITE	**R = 70.9		HX540 = 12HX540	XL360 = XHRL12360W		13 = 175 AMPS	G = 120 VDC UVR / SINGLE AUX									
				H = LIEBERT BLACK			C & D	XL410 = XHRL12410W		14 = 150 AMPS	H = 240 VDC UVR / SINGLE AUX									
				I = EATON BLACK			210MR = UPS12-210MR	XL475 = XHRL12475W		15 = 125 AMPS	J = 24 VDC UVR									
				J = LIGHT GRAY			300MR = UPS12-300MR	XL620 = XHRL12620W		16 = 100 AMPS	WITH BELL ALARM / SINGLE AUX									
							350MR = UPS12-350MR	GNB		17 = 75 AMPS	K = BELL ALARM/SINGLE AUX									
							400MR = UPS12-400MR	SV120 = S12V120		18 = 50 AMPS										
							490ML = UPS12-490MLRP	SV170 = S12V170		19 = 40 AMPS										
							490MR = UPS12-490MR	SV285 = S12V285		20 = 30 AMPS										
							540MR = UPS12-540MR	SV300 = S12V300												
							620MR = UPS6-620MR	SV370 = S12V370												
							EAST PENN	SV500 = S12V500												
							HR200 = 45HR2000	SV550 = S12V550												
							HR300 = 24HR3000	FIAMM												
							HR350 = 27HR3500	FL200 = 12FLX200												
							HR400 = 31HR4000	FL250 = 12FLX250												
							HR500 = 31HR5000	FL300 = 12FLX300												
							HR550 = 31HR5500	FL350 = 12FLX350												
								FL400 = 12FLX400												
								FL500 = 12FLX500												
								FL540 = 12FLX540												

7 > **REPRESENTS STANDARD COLOR FOR ALL ESS CABINETS (DIGIT 6)

7 > **REPRESENTS ESS STANDARD HEIGHT OF TOP TERMINAL BATTERY CABINETS (DIGIT 7)

PART NUMBER GUIDE:

1. REFERENCE THE BATTERY PART NUMBER GUIDE TABLE WHEN ORDERING A CABINET.
2. WHEN PLACING ORDER, INDICATE THE QTY OF CABINETS. NO DASHES ARE TO BE INCLUDED IN PART NUMBER. OVERALL PART NUMBER OF SYTEM IS ALWAYS 18 DIGITS LONG.
3. THE BASE NUMBER (DIGITS 1-5) WILL ALWAYS BE THE SAME.
4. DIGITS 6-7 WILL FOLLOW THE BASE NUMBER INDICATING THE COLOR AND HEIGHT OF THE CABINET.
5. DIGITS 8-18 MAKE UP THE REST OF THE SYSTEM PART NUMBER WHICH INCLUDE OPTIONS FOR BATTERY QUANTITIES, BATTERY MODEL, AND BREAKER OPTIONS.
6. EXAMPLE: ETC32AR - THIS REPRESENTS A STANDARD ETC32 CABINET, WITH A POWDER COAT FINISH OF STANDARD BLACK AND 70.9" HEIGHT.
- 7 > PLEASE NOTE, ONLY STANDARD CABINETS (COLOR AND HEIGHT) ARE IN STOCK. MINIMUM ORDERS OF 20 OR MORE CANBINETS ARE REQUIRED FOR NON STANDARD CABINETS UNLESS IT IS THROUGH OEM CONTRACTS.

PROPRIETARY AND CONFIDENTIAL
 THE INFORMATION CONTAINED IN THIS DRAWING IS THE SOLE PROPERTY OF ELECTRONIC SYSTEMS SUPPORT. ANY REPRODUCTION IN PART OR AS A WHOLE WITHOUT THE WRITTEN PERMISSION OF ELECTRONIC SYSTEMS SUPPORT IS PROHIBITED.

UNLESS OTHERWISE SPECIFIED: DIMENSIONS ARE IN INCHES				3233 W. Kingsley Rd. Garland, Texas 75041 PH: 972-272-2468 FAX 972-276-9844	
PROJECTION: 		TITLE: BATTERY CABINET, 12V, TOP TERMINAL		REV D	
DRAWN BY: RNA	DATE: 04-05-12	SIZE: D	DWG. NO. ETC32-SPEC	SHEET 3 OF 3	
SCALE: 1:16					