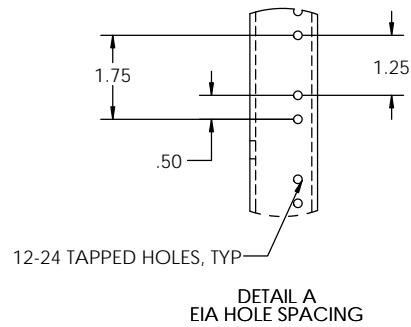
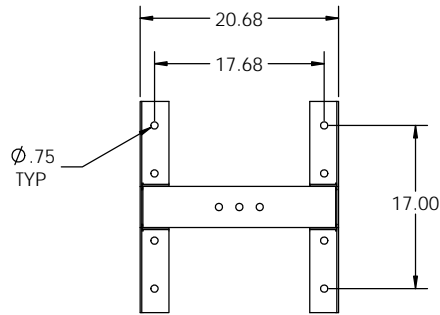


NOTES:

1. MATERIAL: HEAVY GAUGE WELDED STEEL
2. FINISH: TELCO RAY POWDER COAT (OTHER COLORS AVAILABLE, SEE PART NUMBER LEGEND)
3. IT IS RECOMMENDED TO SUPPORT RACKS TALLER THAN 8 FT. FROM TOP IN ADDITION TO FLOOR MOUNTING.
4. APPROXIMATE UNPACKAGED WEIGHT: 70 LBS (84" TALL RACK)



EQUIPMENT RACK PART NUMBER LEGEND

EOR 3 A 084 A A

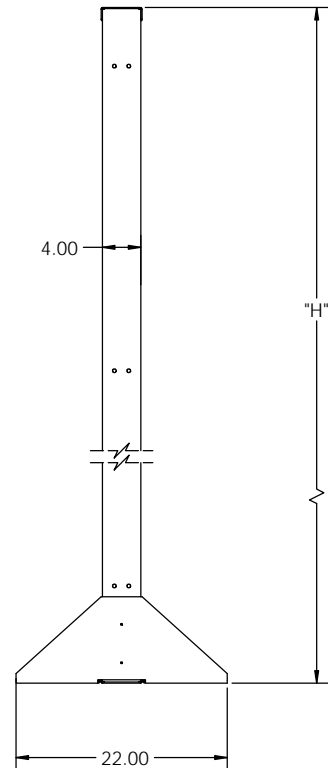
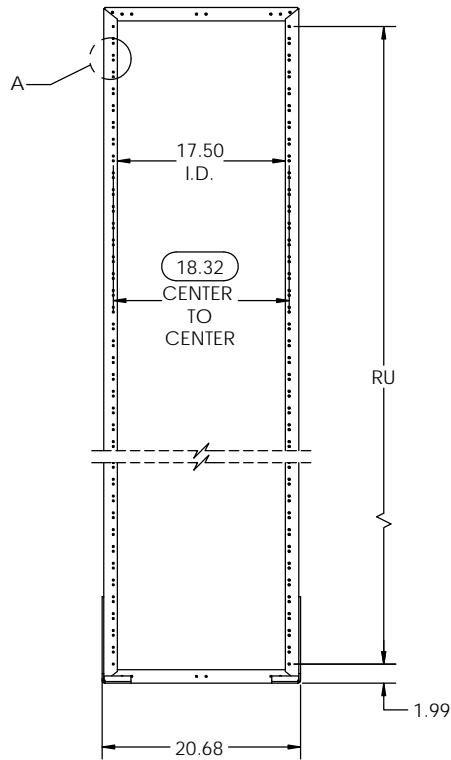
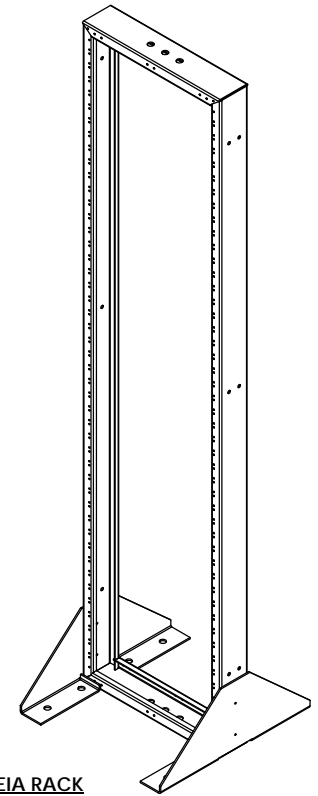
RACK COLOR	
A	TELCO GRAY
B	BLACK
C	BLUE
D	WHITE
E	CREAM
F	KONE GRAY

HOLE SPACING	
A	EIA

RACK HEIGHT		
	H	RU(EIA)
048	4'	25
060	5'	32
066	5'6"	35
072	6'	39
078	6'6"	42
084	7'	46
090	7'6"	49
096	8'	53
108	9'	59
138	11'6"	77

RACK WIDTH	
A	19" PANEL MOUNTING

RACK STYLE	
3	4" HD CHANNEL

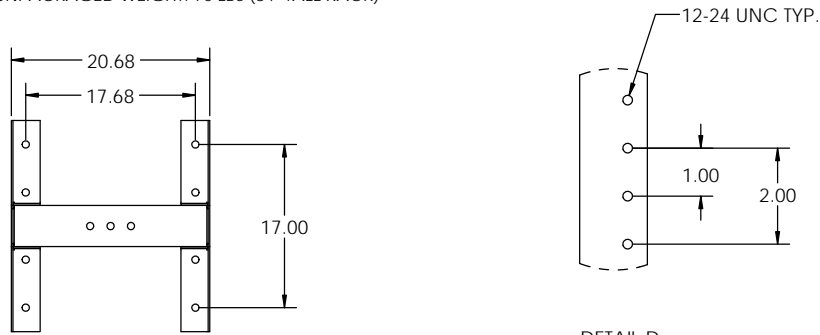


PROPRIETARY AND CONFIDENTIAL
THE INFORMATION CONTAINED IN THIS DRAWING IS THE SOLE PROPERTY OF ELECTRONIC SYSTEMS SUPPORT. ANY REPRODUCTION IN PART OR AS A WHOLE WITHOUT THE WRITTEN PERMISSION OF ELECTRONIC SYSTEMS SUPPORT IS PROHIBITED.

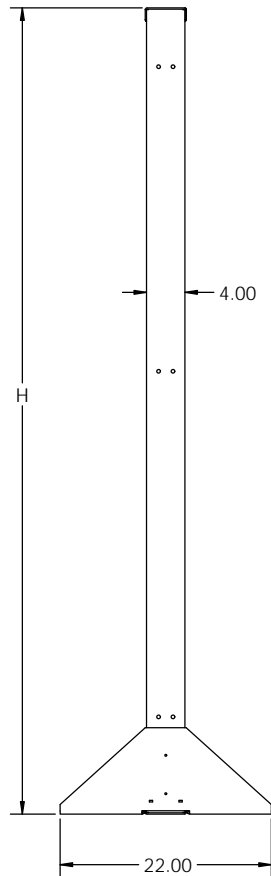
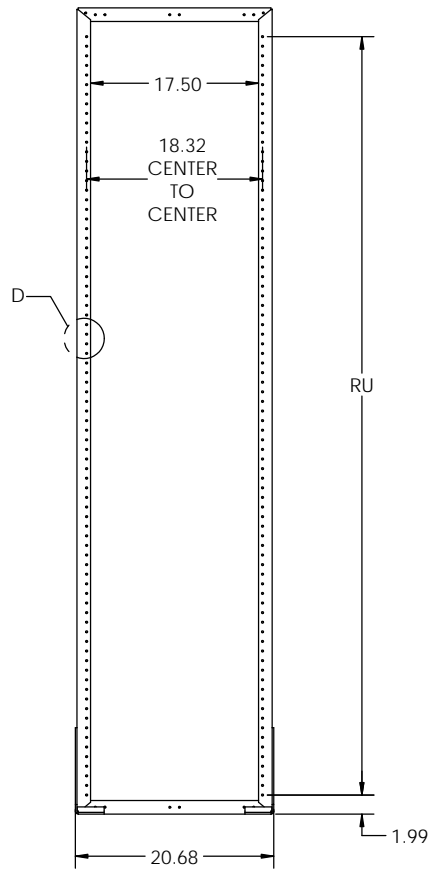
UNLESS OTHERWISE SPECIFIED: DIMENSIONS ARE IN INCHES		Electronic Systems Support www.ess.to		3233 W. Kingsley Rd. Garland, Texas 75041 PH. 972-272-2468 FAX 972-276-9844	
TITLE: EQ. RACK, 19" PANEL MNTG., 4" CHANNEL, HD					
PROJECTION:	NAME: RNA	DATE: 03-07-17	SIZE: C	DWG. NO.: EOR3Axxxxx-SPEC	REV: B
SCALE: 1:24				SHEET 1 OF 2	

NOTES:

1. MATERIAL: HEAVY GAUGE WELDED STEEL
2. FINISH: TELCO RAY POWDER COAT
(OTHER COLORS AVAILABLE, SEE PART NUMBER LEGEND)
3. IT IS RECOMMENDED TO SUPPORT RACKS TALLER THAN 8 FT. FROM TOP IN ADDITION TO FLOOR MOUNTING.
4. APPROXIMATE UNPACKAGED WEIGHT: 70 LBS (84" TALL RACK)



DETAIL D
SCALE 1 : 2
WECO HOLE SPACING



EQUIPMENT RACK PART NUMBER LEGEND

EOR 3 A 084 B A

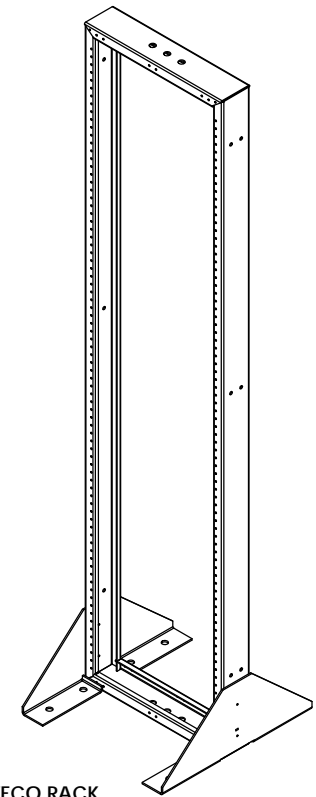
RACK COLOR	
A	TELCO GRAY
B	BLACK
C	BLUE
D	WHITE
E	CREAM
F	KONE GRAY

HOLE SPACING	
B	WECO

RACK HEIGHT		
	H	RU(WECO)
048	4'	21
060	5'	27
066	5'6"	30
072	6'	33
078	6'6"	36
084	7'	39
090	7'6"	42
096	8'	45
108	9'	51
138	11'6"	66

RACK WIDTH	
A	19" PANEL MOUNTING

RACK STYLE	
3	4" HD CHANNEL



WECO RACK

PROPRIETARY AND CONFIDENTIAL
THE INFORMATION CONTAINED IN THIS DRAWING IS THE SOLE PROPERTY OF ELECTRONIC SYSTEMS SUPPORT. ANY REPRODUCTION IN PART OR AS A WHOLE WITHOUT THE WRITTEN PERMISSION OF ELECTRONIC SYSTEMS SUPPORT IS PROHIBITED.

UNLESS OTHERWISE SPECIFIED: DIMENSIONS ARE IN INCHES		Electronic Systems Support www.ess.to		3233 W. Kingsley Rd. Garland, Texas 75041 PH. 972-272-2468 FAX 972-276-9844	
TITLE: EQ. RACK, 19" PANEL MNTG., 4" CHANNEL, HD					
PROJECTION:	NAME: RNA	DATE: 03-07-17	SIZE: C	DWG. NO.: EOR3Axxxxx-SPEC	REV: B
SCALE: 1:24				SHEET 2 OF 2	