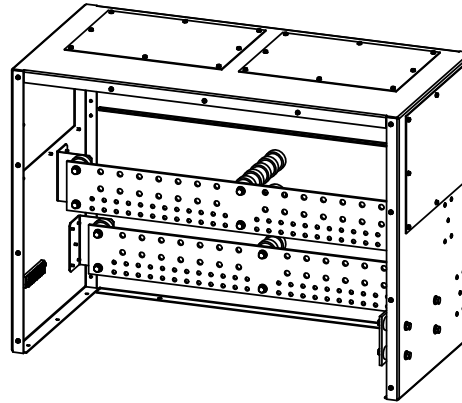
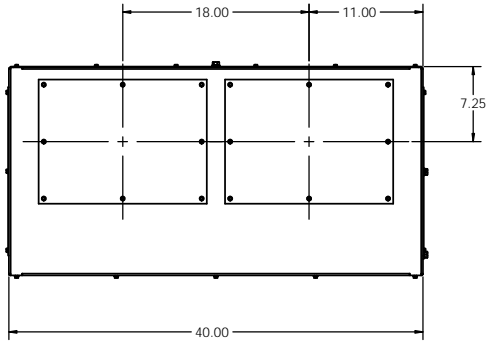


NOTES:

1. HEAVY GAUGE STEEL FRAME WITH REMOVABLE FRONT, REAR, AND KNOCK OUT PANELS.
2. POWDER COAT FINISH
3. 14 POSITIONS FOR $\varnothing 1/2"$ BOLTS ON 1-3/4" CENTERS, 24 POSITIONS FOR $\varnothing 3/8"$ BOLTS ON 1" CENTERS PROVIDED ON POSITIVE AND NEGATIVE BUS BARS.
4. 3 POSITIONS FOR $\varnothing 1/2"$ BOLTS ON 1-3/4" CENTERS, 7 POSITIONS FOR $\varnothing 3/8"$ BOLTS ON 1" CENTERS PROVIDED ON GROUND BUS BAR.
5. BACK TO BACK INSTALLATION OF 2 HOLE LUGS CAN BE INSTALLED IF NEEDED.
6. MAIN BUS BAR CURRENT CAPACITY IS 1500 AMPS.
7. UL LISTED TERMINAL BLOCK PROVIDED FOR SHUNT TRIP/UVR AUX.



BATTERY CABINET PART NUMBER GUIDE		
CABINET PART NUMBER		DESCRIPTION
ELB40	A	1500
		BASE PART NUMBER
		POWDER COAT COLOR
		CURRENT CAPACITY

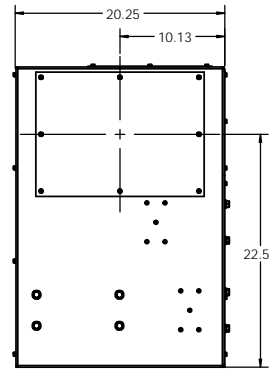
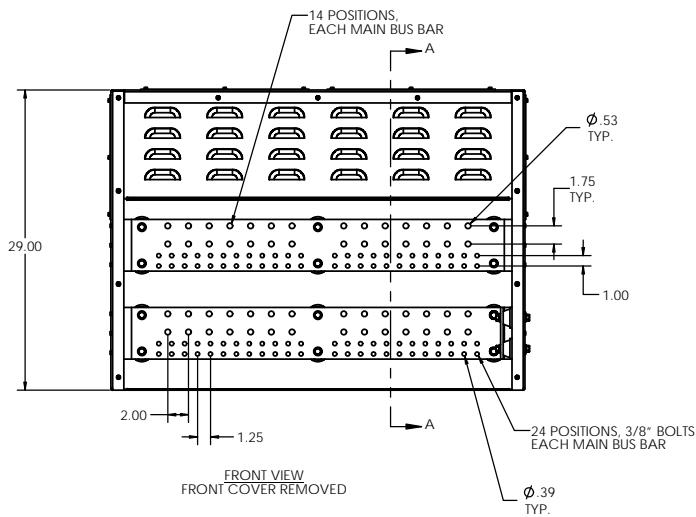
COLOR LEGEND
**A = BLACK
B = BEIGE
C = LIEBERT GRAY
D = MITSUBISHI BEIGE
E = MG# WHITE
F = TOSHIBA BLACK
G = GE WHITE
H = LIEBERT BLACK
J = EATON BLACK
K = TBD

BLACK IS ESS STANDARD COLOR AND WILL BE IN STOCK.
 LETTERS STATING "TBD" ARE OPEN FOR CUSTOM COLORS NOT LISTED. PLEASE CONSULT WITH SALES STAFF FOR FURTHER INFO.

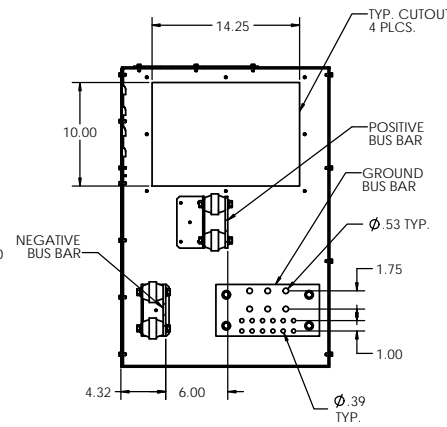
CURRENT CAPACITY	
-1500	1500 AMPS
-3500	3000 AMPS
-4500	4500 AMPS

PART NUMBER GUIDE:

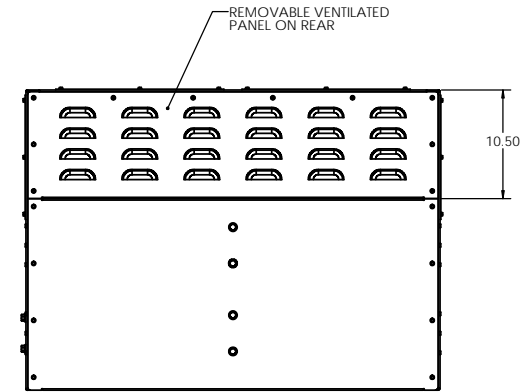
1. REFERENCE THE LANDING BOX PART NUMBER GUIDE TABLE WHEN PLACING AN ORDER. THE BASE NUMBER WILL ALWAYS BE THE SAME. HOWEVER, 6 DIGITS (INCLUDING DASH) WILL FOLLOW THE BASE NUMBER INDICATING THE COLOR AND CURRENT CAPACITY OF THE LANDING BOX.
2. EXAMPLE: ELB40A-1500 - THIS REPRESENTS A STANDARD LANDING BOX WITH A POWDER COAT FINISH OF STANDARD BLACK AND A CURRENT RATING OF 1500 AMPS.



SIDE VIEW



SECTION A-A
SCALE 1:6



REAR VIEW

PROPRIETARY AND CONFIDENTIAL THE INFORMATION CONTAINED IN THIS DRAWING IS THE SOLE PROPERTY OF ELECTRONIC SYSTEMS SUPPORT. ANY REPRODUCTION OR TRANSMISSION OF THIS INFORMATION WITHOUT THE WRITTEN PERMISSION OF ELECTRONIC SYSTEMS SUPPORT IS PROHIBITED.	UNLESS OTHERWISE SPECIFIED DIMENSIONS ARE IN INCHES DECIMALS	ESS ELECTRONIC SYSTEMS SUPPORT 888-475-9292 www.ess.io	3233 W. Kingsley Rd. Ste. 200 Cedarburg, Texas 75041 PH: 972-272-2668 FAX: 972-276-9644
	PROJECT: SEE NOTE 1 DESIGNED BY: MGC/ARF DRAWN BY: MGC/ARF CHECKED BY: MGC/ARF DATE: 5-23-13		TITLE: LANDING BOX, 40 X 20 X 29
	USED ON:		SIZE: D DWG. NO.: ELB40X REV: A
	SCALE: 1:8		SHEET 1 OF 1