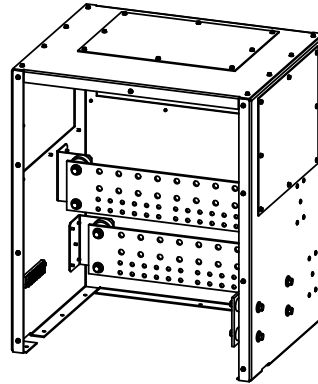
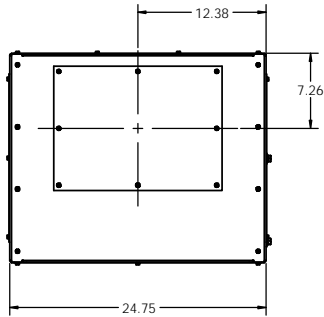


NOTES:

1. HEAVY GAUGE STEEL FRAME WITH REMOVABLE FRONT, REAR, AND KNOCK OUT PANELS.
2. POWDER COAT FINISH.
3. 8 POSITIONS FOR $\varnothing 1/2"$ BOLTS ON 1-3/4" CENTERS, 12 POSITIONS FOR $\varnothing 3/8"$ BOLTS ON 1" CENTERS PROVIDED ON **POSITIVE AND NEGATIVE** BUS BARS.
4. 3 POSITIONS FOR $\varnothing 1/2"$ BOLTS ON 1-3/4" CENTERS, 6 POSITIONS FOR $\varnothing 3/8"$ BOLTS ON 1" CENTERS PROVIDED ON **GROUND BUS BAR**.
5. BACK TO BACK INSTALLATION OF 2 HOLE LUGS CAN BE INSTALLED IF NEEDED.
6. MAIN BUS BAR CURRENT CAPACITY IS 1500 AMPS.
7. UL LISTED TERMINAL BLOCK PROVIDED FOR SHUNT TRIP/UVR AUX.



BATTERY CABINET PART NUMBER GUIDE		
CABINET PART NUMBER		DESCRIPTION
ELB25	A	-1500
→		BASE PART NUMBER
→		POWDER COAT COLOR
→		CURRENT CAPACITY

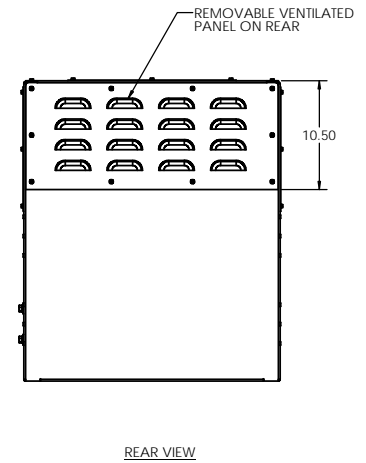
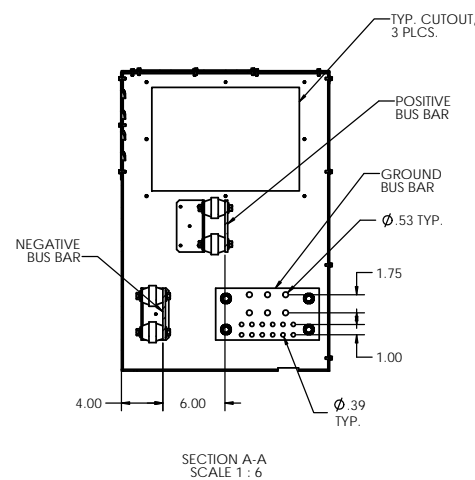
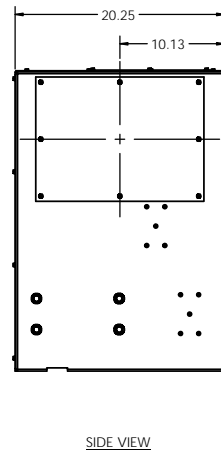
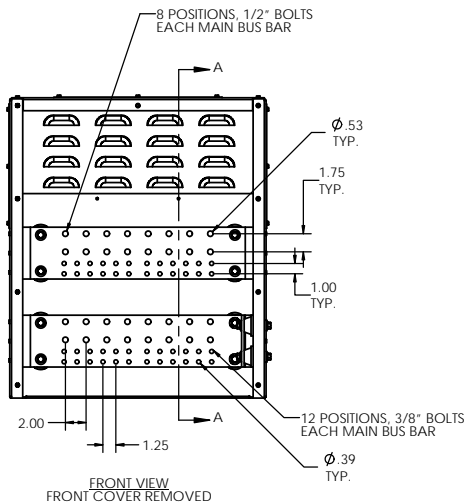
COLOR LEGEND
**A = BLACK
B = BEIGE
C = LIEBERT GRAY
D = MITSUBISHI BEIGE
E = MGE WHITE
F = TOSHIBA BLACK
G = GE WHITE
H = LIEBERT BLACK
J = EATON BLACK
K = TBD

**BLACK IS ESS STANDARD COLOR AND WILL BE IN STOCK **
LETTERS STATING "TBD" ARE OPEN FOR CUSTOM COLORS NOT LISTED. PLEASE CONSULT WITH SALES STAFF FOR FURTHER INFO.

CURRENT CAPACITY	
-1500	1500 AMPS
-3500	3000 AMPS
-4500	4500 AMPS

PART NUMBER GUIDE:

1. REFERENCE THE LANDING BOX PART NUMBER GUIDE TABLE WHEN PLACING AN ORDER.
2. THE BASE NUMBER WILL ALWAYS BE THE SAME. HOWEVER, 6 DIGITS (INCLUDING DASH) WILL FOLLOW THE BASE NUMBER INDICATING THE COLOR AND CURRENT CAPACITY OF THE LANDING BOX.
3. EXAMPLE: ELB25-1500 - THIS REPRESENTS A STANDARD LANDING BOX WITH A POWDER COAT FINISH OF STANDARD BLACK AND A CURRENT RATING OF 1500 AMPS.



UNLESS OTHERWISE SPECIFIED: DIMENSIONS ARE IN INCHES DECIMALS		DATE: 5-23-13		TITLE: LANDING BOX, 25 X 20 X 29	
DESIGNED BY: MACHIE S. BEND	DATE: 5-23-13	ISSUED BY: MACHIE S. BEND	DATE: 5-23-13	SIZE: D	REV: A
PROJECT: SEE NOTE 1	ISSUED BY: MACHIE S. BEND	PROJECT: SEE NOTE 2	ISSUED BY: MACHIE S. BEND	SCALE: 1:1	WEIGHT: SHEET 1 OF 1
PROPRIETARY AND CONFIDENTIAL THE INFORMATION CONTAINED IN THIS DRAWING IS THE SOLE PROPERTY OF ELECTRONIC SYSTEM SUPPORT, AN AFFILIATE OF ELECTRONIC SYSTEMS SUPPORT INC. NO DISSEMINATION OR REPRODUCTION OF THIS DRAWING IS PERMITTED WITHOUT THE WRITTEN PERMISSION OF ELECTRONIC SYSTEMS SUPPORT INC.		ELECTRONIC SYSTEM SUPPORT 888-475-9292 www.ess.io		3233 W. Kingsley Rd. Ste. 200 Cedarvale, Texas 75041 PH: 972-272-2668 FAX: 972-276-2644	