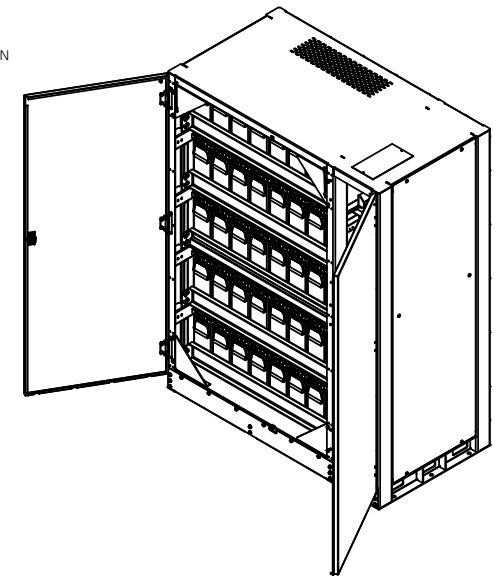


VENTILATION LOUVERS

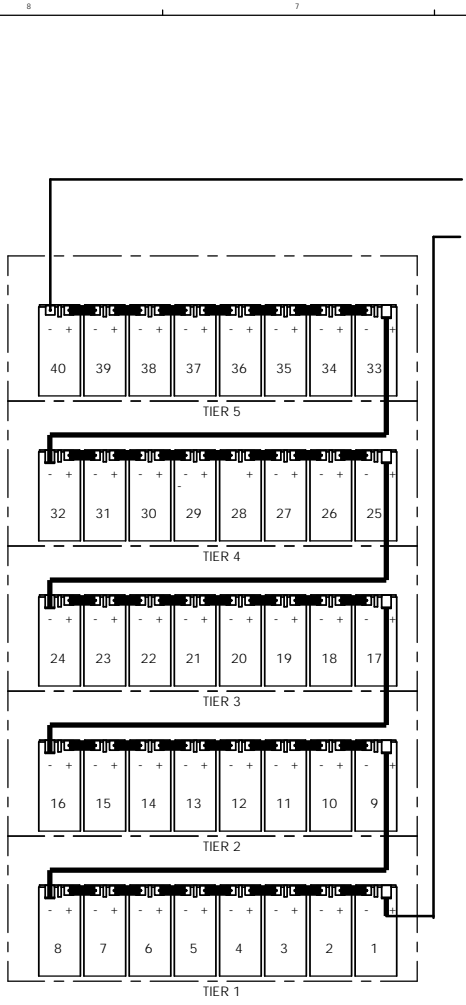


**CABINET NOTES:**

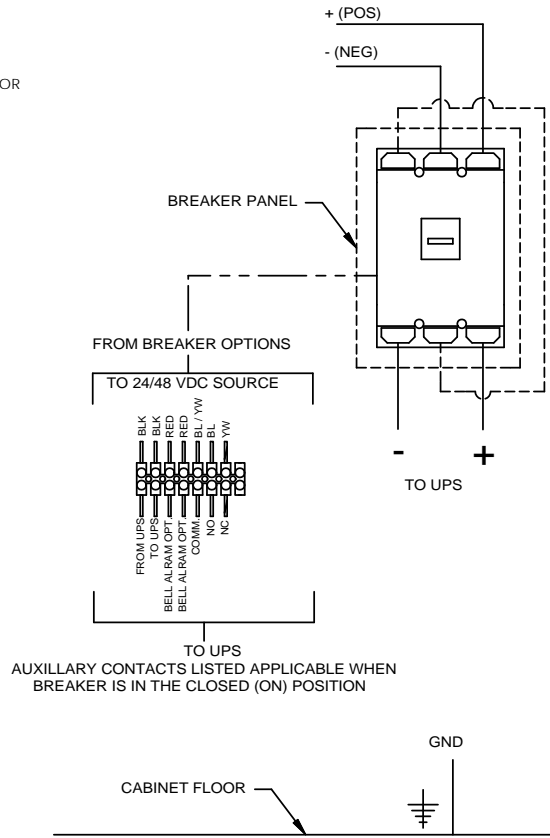
1. NEMA 1 DESIGN.
2. EMPTY CABINET WEIGHT: 875 LBS. (397 KG)
3. UL 1778 LISTED AND FULLY TESTED AT THE FACTORY PRIOR TO SHIPPING.
4. FULLY WELDED FRAME. MANUFACTURED FROM HEAVY GAUGE STEEL.
5. POWDER COATED WITH A CORROSION RESISTANT, EPOXY HYBRID POWDER USING A FIVE STAGE EMERSION PRETREATMENT PROCESS.
6. BATTERIES CAN BE ACCESSED FROM FRONT, REAR, AND BOTH SIDES.
7. CUSTOM DESIGNED PALLETS FOR SHIPPING ANYWHERE LOCALLY AND GLOBALLY (UPON REQUEST).
8. BATTERY CABINET CAN BE MOVED WITH A NORMAL PALLET JACK FROM FRONT AND REAR.
9. STANDARD AND CUSTOM SPILL CONTAINMENT OPTIONS ARE AVAILABLE.
10. SEISMICALLY CERTIFIED TO IBC (2012), ASCE 7-10, AND CBC (2010) CODES. DESIGN MEETS DEFAULT SEISMIC DESIGN CATEGORY D (S<sub>s</sub>=2.9), IMPORTANCE FACTOR 1.5, AND HORIZONTAL STATIC ACCELERATION OF .817g.

**PROPRIETARY AND CONFIDENTIAL**  
 THE INFORMATION CONTAINED IN THIS DRAWING IS THE SOLE PROPERTY OF ELECTRONIC SYSTEMS SUPPORT. ANY REPRODUCTION IN PART OR AS A WHOLE WITHOUT THE WRITTEN PERMISSION OF ELECTRONIC SYSTEMS SUPPORT IS PROHIBITED.

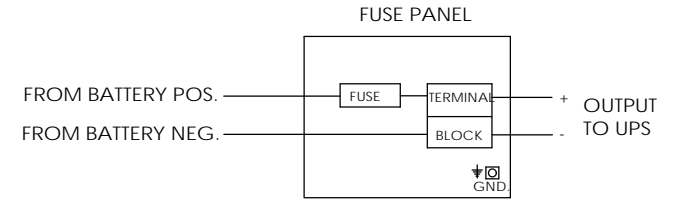
UNLESS OTHERWISE SPECIFIED: DIMENSIONS ARE IN INCHES		<b>Electronic Systems Support</b> www.ess.to		3233 W. Kingsley Rd. Garland, Texas 75041 PH. 972-272-2468 FAX 972-276-9844	
TITLE: BATTERY CABINET, 12V, FT, 480V, SIDE BREAKER					
PROJECTION:	NAME	DATE	SIZE	DWG. NO.	REV
DRAWN BY: RNA		09-17-12	D	EFS54-SPEC	C
SCALE: 1:12				SHEET 1 OF 3	



**BREAKER DETAIL**



**FUSE OPTION**



BATTERY CONFIGURATION TABLE		
BATTERY MANUFACTURER	EAST PENN	MAXIMUM NUMBER OF BATTERIES PER CABINET
	HR7500ET	
BATTERY MODEL NUMBER	HT7500ET	40

**ELECTRICAL NOTES:**

1. ALL CABLES ARE UL LISTED.
2. ALL BREAKERS ARE UL RECOGNIZED.
3. ALL FUSES ARE UL RECOGNIZED, TYPE A50P, A70P OR EQUIVALENT. (FUSED CABINETS ARE NOT LISTED IN UL FILE). ALWAYS REPLACE WITH SAME TYPE OR ITS EQUIVALENT.
4. TERMINAL BLOCKS ARE UL RECOGNIZED, 600V RATED.
5. CABINETS ARE SHIPPED WITH THE BREAKER IN THE TRIPPED POSITION.
6. CABINET GROUND CONNECTION IS A 5/16-18 THREADED STUD.
7. CABLES BETWEEN BATTERY CABINET TO UNINTERRUPTIBLE POWER SUPPLY ARE OPTIONAL.

**PROPRIETARY AND CONFIDENTIAL**  
 THE INFORMATION CONTAINED IN THIS DRAWING IS THE SOLE PROPERTY OF ELECTRONIC SYSTEMS SUPPORT. ANY REPRODUCTION IN PART OR AS A WHOLE WITHOUT THE WRITTEN PERMISSION OF ELECTRONIC SYSTEMS SUPPORT IS PROHIBITED.

UNLESS OTHERWISE SPECIFIED: DIMENSIONS ARE IN INCHES		<b>Electronic Systems Support</b> www.ess.to		3233 W. Kingsley Rd. Garland, Texas 75041 PH. 972-272-2468 FAX 972-276-9844	
TITLE: BATTERY CABINET, 12V, FT, 480V, SIDE BREAKER					
PROJECTION:	NAME	DATE	SIZE	DWG. NO.	REV
DRAWN BY: RNA		09-17-12	D	EFS54-SPEC	C
SCALE: 1:12				SHEET 2 OF 3	

ESS FRONT TERMINAL CABINET SYSTEM MATRIX											
ESS EFS54 CABINET WITH BREAKER SYSTEM PART NUMBERS											
E F S 5 4 A M 40 750ET B 04 A											
DIGIT 1	DIGIT 2	DIGIT 3	DIGIT 4	DIGIT 5	DIGIT 6	DIGIT 7	DIGIT 8-9	DIGIT 10-14	DIGIT 15	DIGIT 16-17	DIGIT 18
CABINET MODEL											
TYPE OF BATTERY	TYPE OF CABINET OR RACK	NUMBER OF TIERS	BATTERY TYPE	COLOR	HEIGHT (INCHES)	BATTERY QUANTITY	BATTERY MODEL PER MANUFACTURER	BREAKER OR FUSE	AMPS	BREAKER OPTION	
E = ESS STANDARD	F = FRONT TERMINAL	S = CABINET W/SIDE BREAKER	5 = 5 TIER OF BATTERIES	4 = 12V FT (HR7500ET)	**A = BLACK	F = 78.4	40	EAST PENN	B = BREAKER	04 = 600 AMPS	A = 24 VDC SHUNT TRIP , AUX CONTACT
C = CENTER TAP CABLING					B = BEIGE	G = 78.00	36	550ET - HR5500ET	H = BREAKER W/HANDLE OPTION	05 = 500 AMPS	B = 48 VDC SHUNT TRIP, AUX CONTACT
S = SPLIT BUS CABLING					C = LIEBERT GRAY	H = 77.3	32	750ET - HR7500ET		06 = 450 AMPS	C = 24 VDC UVR, AUX CONTACT
					D = MITSUBISHI BEIGE	J = 76.8	24	HT750 - HT7500ET		07 = 400 AMPS	D = 48 VDC UVR, AUX CONTACT
					E = MGE WHITE	K = 75.3				08 = 350 AMPS	E = 120 VDC SHUNT TRIP, AUX CONTACT
					F = TOSHIBA BLACK	L = 75.0				09 = 300 AMPS	F = 240 VDC SHUNT TRIP, AUX CONTACT
					G = GE WHITE	**M = 74.8				10 = 250 AMPS	G = 120 VDC UVR, AUX CONTACT
					H = LIEBERT BLACK					11 = 225 AMPS	H = 240 VDC UVR, AUX CONTACT
					I = EATON BLACK					12 = 200 AMPS	J = 24VDC UVR W/BELL ALARM
					J = LIGHT GRAY					13 = 175 AMPS	K = BELL ALARM
										14 = 150 AMPS	
										15 = 125 AMPS	
										16 = 100 AMPS	
										17 = 75 AMPS	
										18 = 50 AMPS	
										19 = 40 AMPS	
										20 = 30 AMPS	
										18 = 50 AMPS	
										19 = 40 AMPS	
										20 = 30 AMPS	
**REPRESENTS STANDARD COLOR FOR ALL ESS CABINETS (DIGIT 6)											
**REPRESENTS ESS STANDARD HEIGHT OF TOP TERMINAL BATTERY CABINETS (DIGIT 7)											

**PART NUMBER GUIDE:**

1. REFERENCE THE BATTERY PART NUMBER GUIDE TABLE WHEN ORDERING A CABINET.
  2. WHEN PLACING ORDER, INDICATE THE QTY OF CABINETS. NO DASHES ARE TO BE INCLUDED IN PART NUMBER. OVERALL PART NUMBER OF SYTEM IS ALWAYS 18 DIGITS LONG.
  3. THE BASE NUMBER (DIGITS 1-5) WILL ALWAYS BE THE SAME.
  4. DIGITS 6-7 WILL FOLLOW THE BASE NUMBER INDICATING THE COLOR AND HEIGHT OF THE CABINET.
  5. DIGITS 8-18 MAKE UP THE REST OF THE SYSTEM PART NUMBER WHICH INCLUDE OPTIONS FOR BATTERY QUANTITIES, BATTERY MODEL, AND BREAKER OPTIONS.
  6. EXAMPLE: **EFS54AM** - THIS REPRESENTS A STANDARD **EFS54** CABINET, WITH A POWDER COAT FINISH OF STANDARD BLACK AND 74.8" HEIGHT.
- PLEASE NOTE, ONLY STANDARD CABINETS (COLOR AND HEIGHT) ARE IN STOCK. MINIMUM ORDERS OF 20 OR MORE CANBINETS ARE REQUIRED FOR NON STANDARD CABINETS UNLESS IT IS THROUGH OEM CONTRACTS.

**PROPRIETARY AND CONFIDENTIAL**  
 THE INFORMATION CONTAINED IN THIS DRAWING IS THE SOLE PROPERTY OF ELECTRONIC SYSTEMS SUPPORT. ANY REPRODUCTION IN PART OR AS A WHOLE WITHOUT THE WRITTEN PERMISSION OF ELECTRONIC SYSTEMS SUPPORT IS PROHIBITED.

UNLESS OTHERWISE SPECIFIED: DIMENSIONS ARE IN INCHES		<b>Electronic Systems Support</b> <a href="http://www.ess.to">www.ess.to</a>		3233 W. Kingsley Rd. Garland, Texas 75041 PH. 972-272-2468 FAX 972-276-9844	
TITLE: BATTERY CABINET, 12V, FT, 480V, SIDE BREAKER					
PROJECTION:	NAME	DATE	SIZE	DWG. NO.	REV
DRAWN BY: RNA		09-17-12	D	EFS54-SPEC	C
SCALE: 1:12				SHEET 3 OF 3	