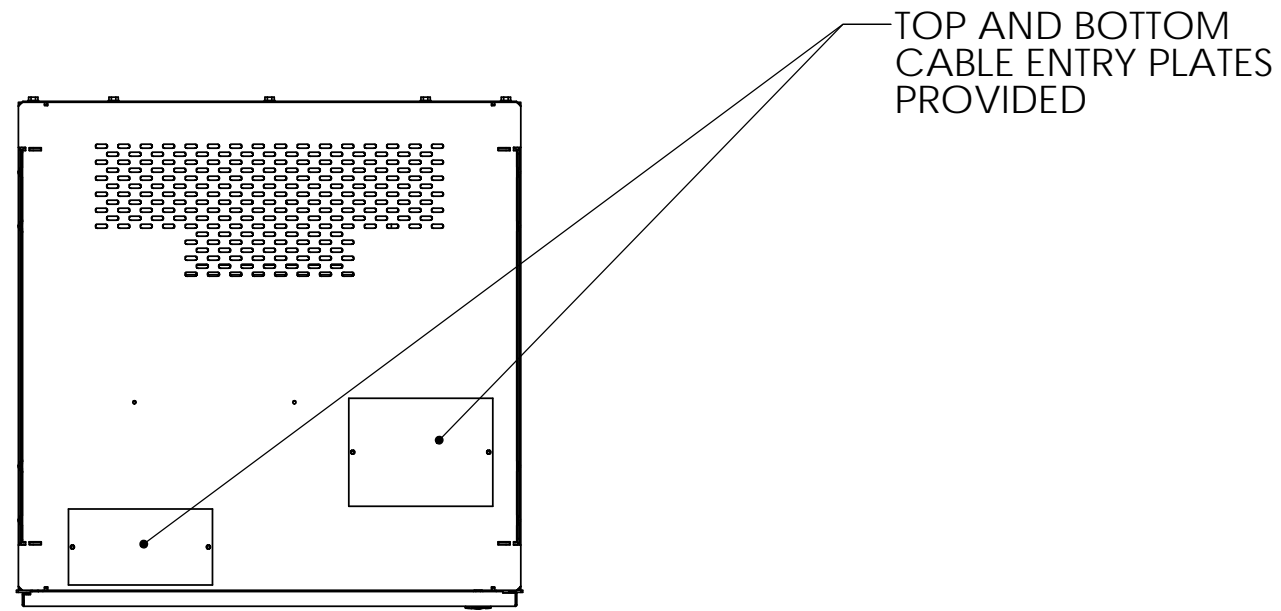
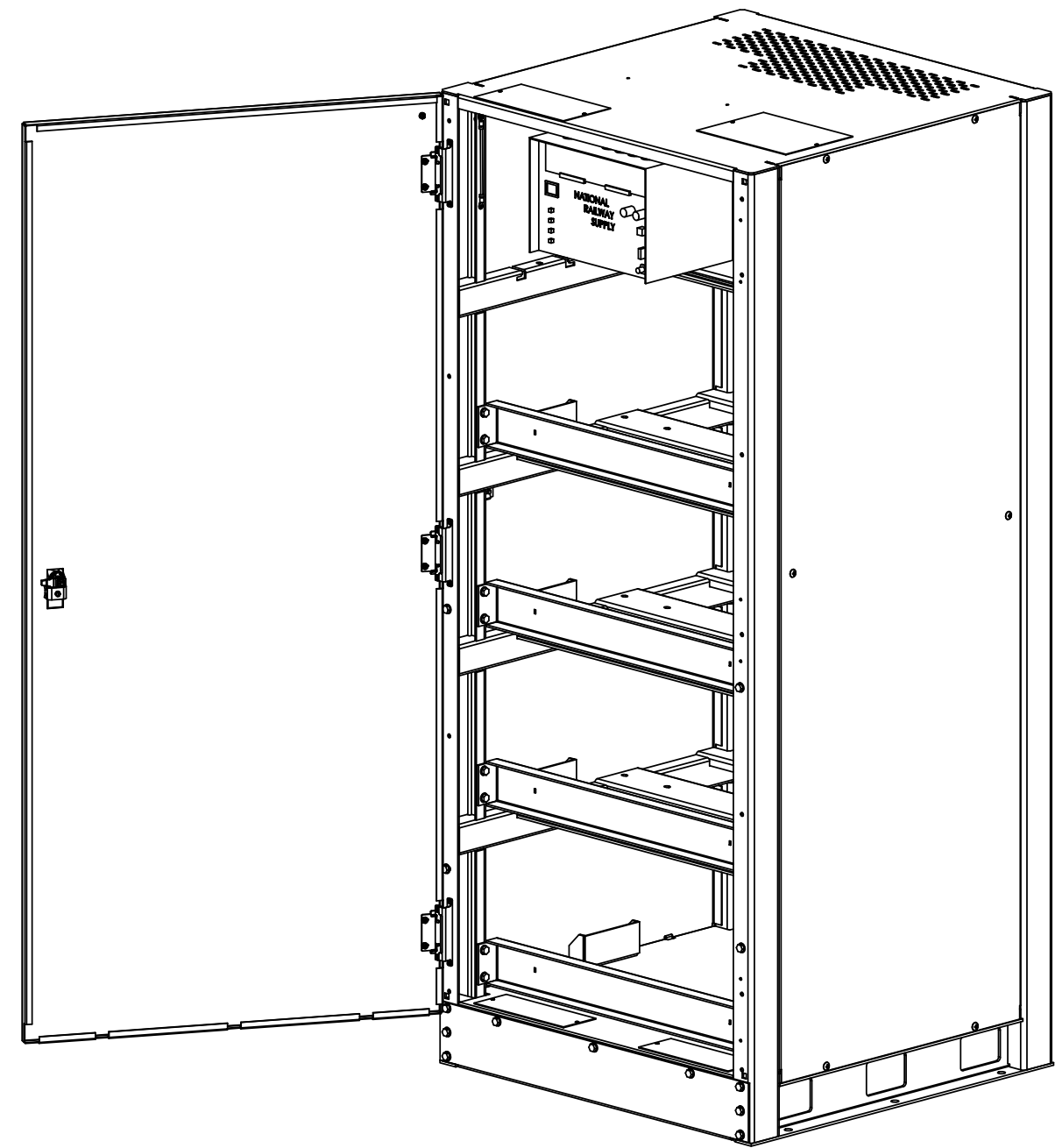
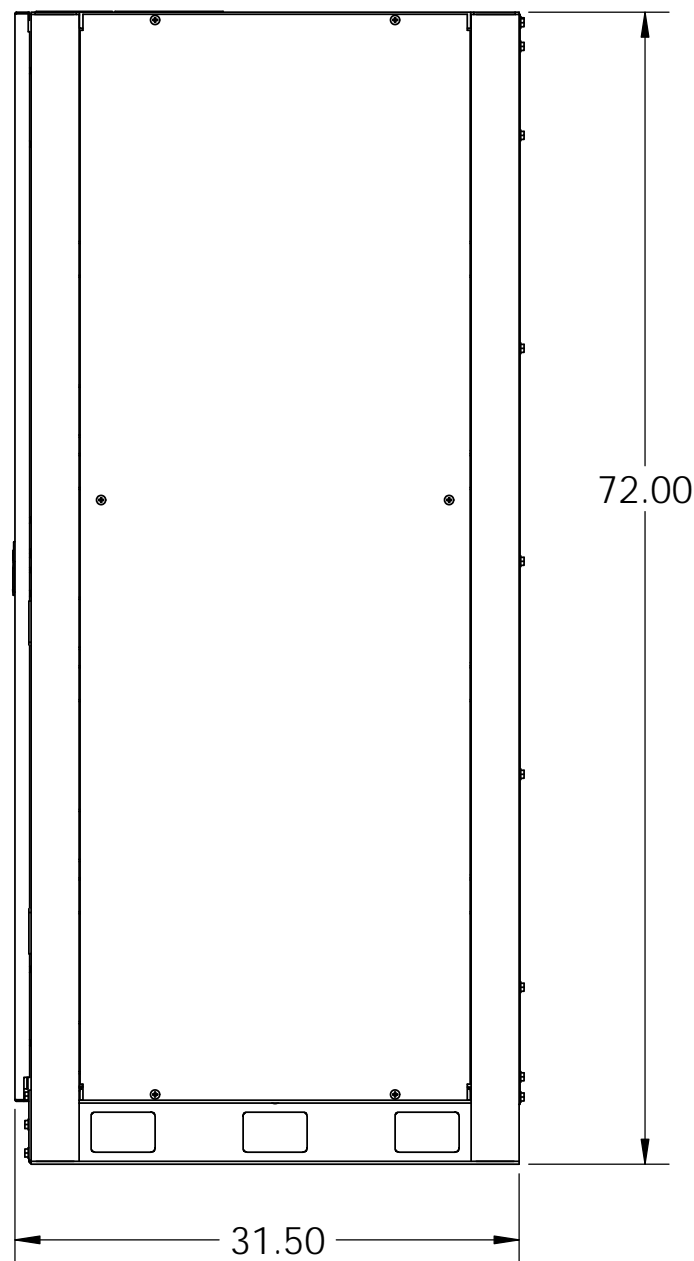
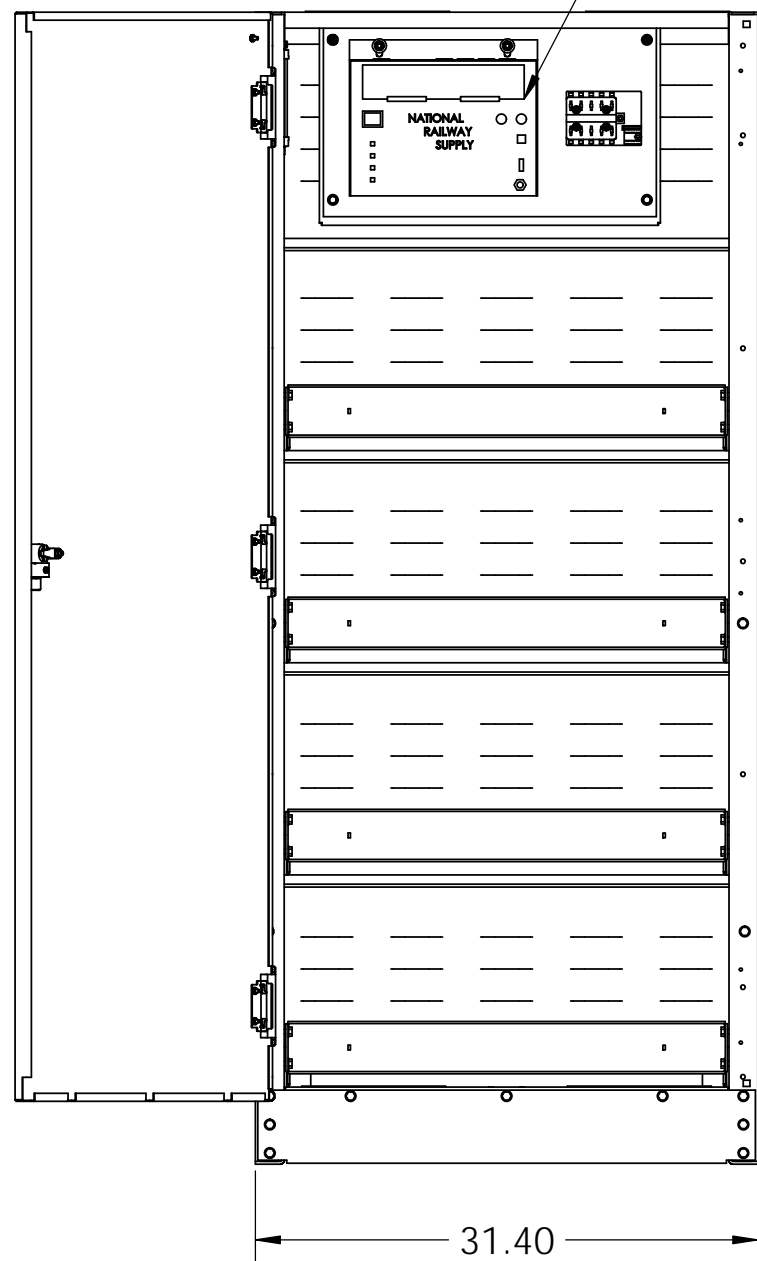


NOTES:

1. NEMA1 ENCLOSURE DESIGN.
2. HEAVY GAUGE WELDED FRAME.
3. TOP AND BOTTOM REMOVABLE KNOCKOUT PLATES AND HARDWARE INCLUDED.
4. CONVENIENT REMOVABLE SIDE PANELS.
5. VARIABLE VOLTAGE AND CURRENT CHARGER FACTORY INSTALLED AND TESTED.
6. ALL INTERNAL CABLES USED ARE UL LISTED.
7. STANDARD 120VAC CHARGER INPUT.
8. ALL EMPTY TIERS OF BATTERY CABINET ARE CABLED FOR FUTURE EXPANSION.
9. EMPTY CABINET WEIGHT (INCLUDING CHARGER): 580 LBS
10. DESIGN IS SEISMIC ZONE 4 COMPLIANT TO 2012 IBC, 2010 ASCE 7-10, AND CBC 2010.



BATTERY CHARGER,
1-20 VOLTS ADJUSTABLE,
1-20 AMPS ADJUSTABLE



BATTERY CONFIGURATION TABLE		
	BATTERY MANUFACTURER	MAXIMUM NUMBER OF BATTERIES PER CABINET
	ENERSYS	
BATTERY MODEL NUMBER	16HX800-FR	16
	16HX925F-FR	
	16HX550F-FR	24

PROPRIETARY AND CONFIDENTIAL
THE INFORMATION CONTAINED IN THIS
DRAWING IS THE SOLE PROPERTY OF
ELECTRONIC SYSTEMS SUPPORT. ANY
REPRODUCTION IN PART OR AS A WHOLE
WITHOUT THE WRITTEN PERMISSION OF
ELECTRONIC SYSTEMS SUPPORT IS
PROHIBITED.

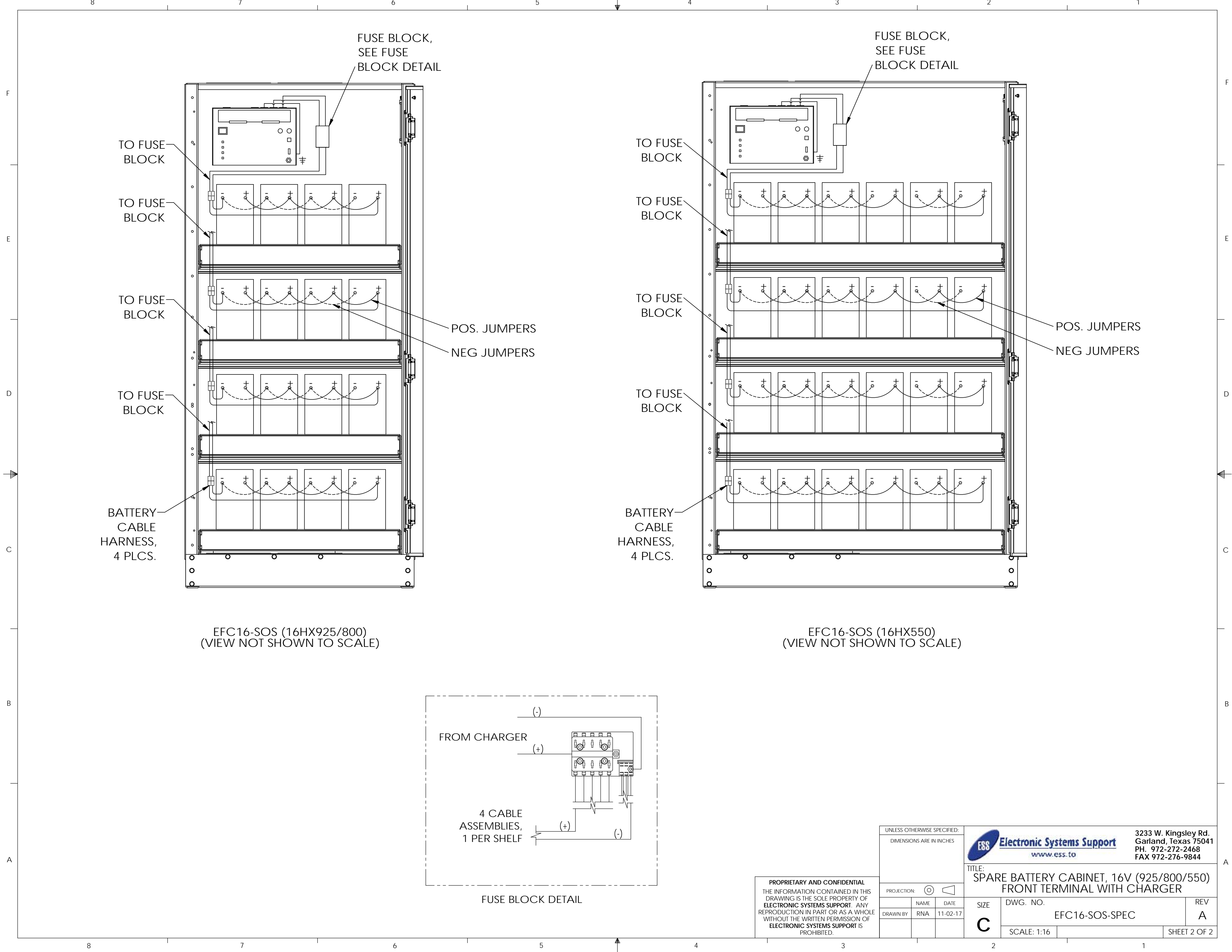
UNLESS OTHERWISE SPECIFIED:
DIMENSIONS ARE IN INCHES



3233 W. Kingsley Rd.
Garland, Texas 75041
PH. 972-272-2468
FAX 972-276-9844

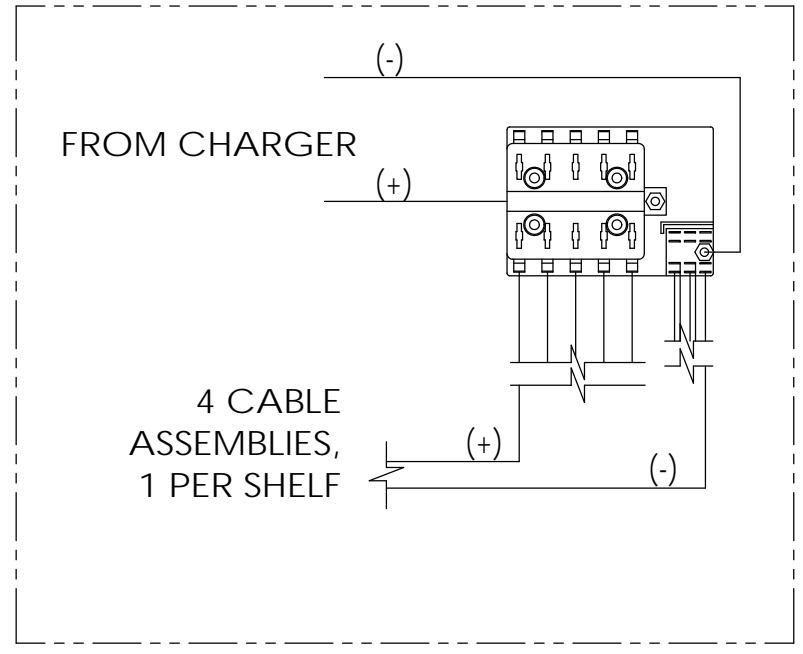
TITLE:
SPARE BATTERY CABINET, 16V (925/800/550)
FRONT TERMINAL WITH CHARGER

PROJECTION:	NAME	DATE	SIZE	DWG. NO.	REV
DRAWN BY: RNA	RNA	11-02-17	C	EFC16-SOS-SPEC	A
SCALE: 1:16			SHEET 1 OF 2		



EFC16-SOS (16HX925/800)
(VIEW NOT SHOWN TO SCALE)

EFC16-SOS (16HX550)
(VIEW NOT SHOWN TO SCALE)



FUSE BLOCK DETAIL

PROPRIETARY AND CONFIDENTIAL
THE INFORMATION CONTAINED IN THIS DRAWING IS THE SOLE PROPERTY OF **ELECTRONIC SYSTEMS SUPPORT**. ANY REPRODUCTION IN PART OR AS A WHOLE WITHOUT THE WRITTEN PERMISSION OF **ELECTRONIC SYSTEMS SUPPORT** IS PROHIBITED.

UNLESS OTHERWISE SPECIFIED:
DIMENSIONS ARE IN INCHES

PROJECTION:		
DRAWN BY:	NAME	DATE
	RNA	11-02-17



3233 W. Kingsley Rd.
Garland, Texas 75041
PH. 972-272-2468
FAX 972-276-9844

TITLE:
**SPARE BATTERY CABINET, 16V (925/800/550)
FRONT TERMINAL WITH CHARGER**

SIZE	DWG. NO.	REV
C	EFC16-SOS-SPEC	A
SCALE: 1:16	SHEET 2 OF 2	