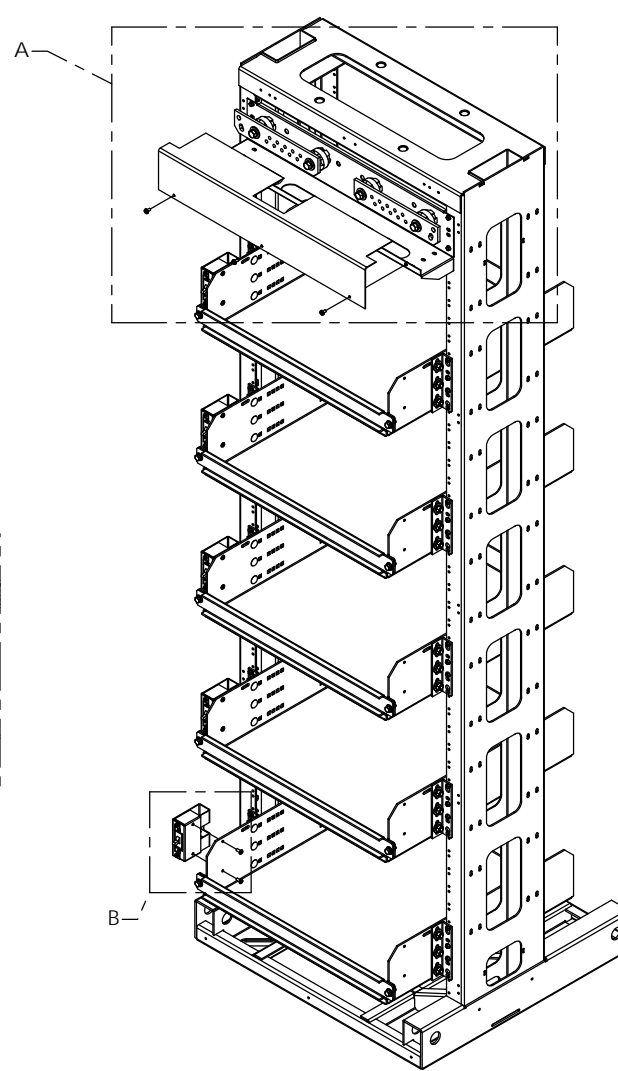
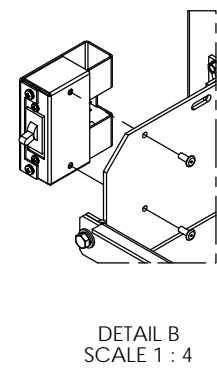
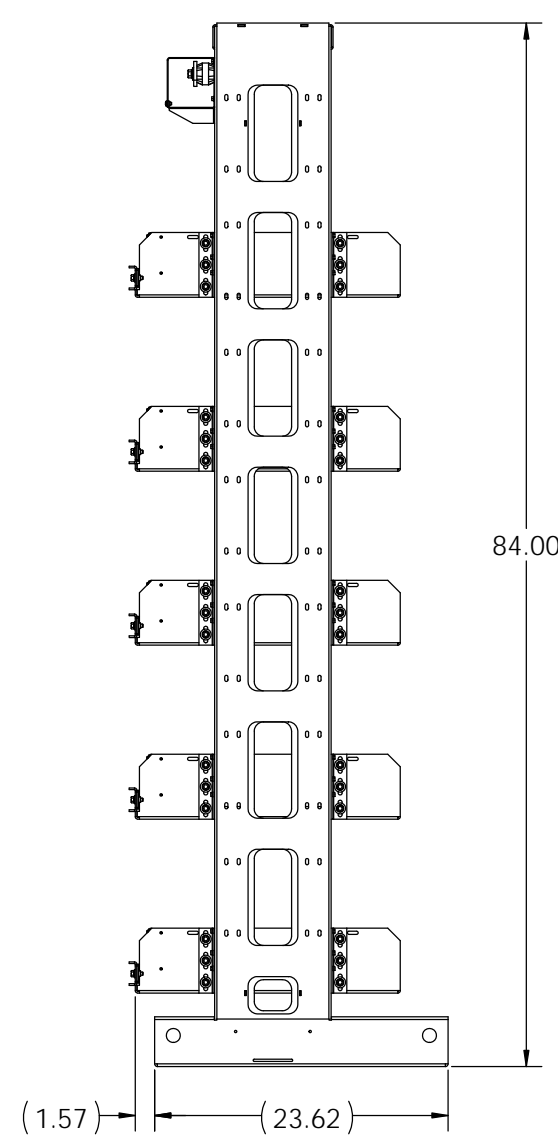
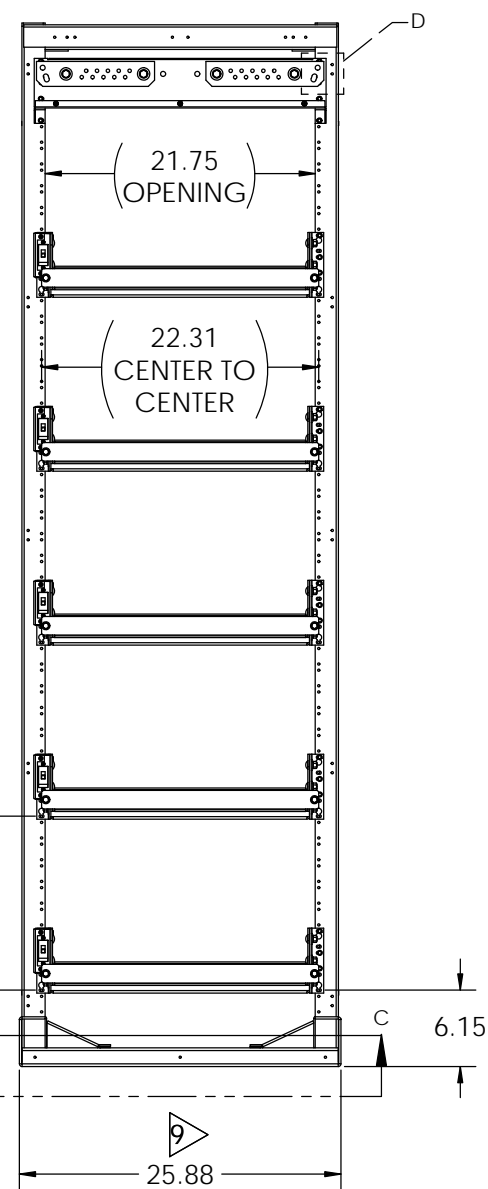
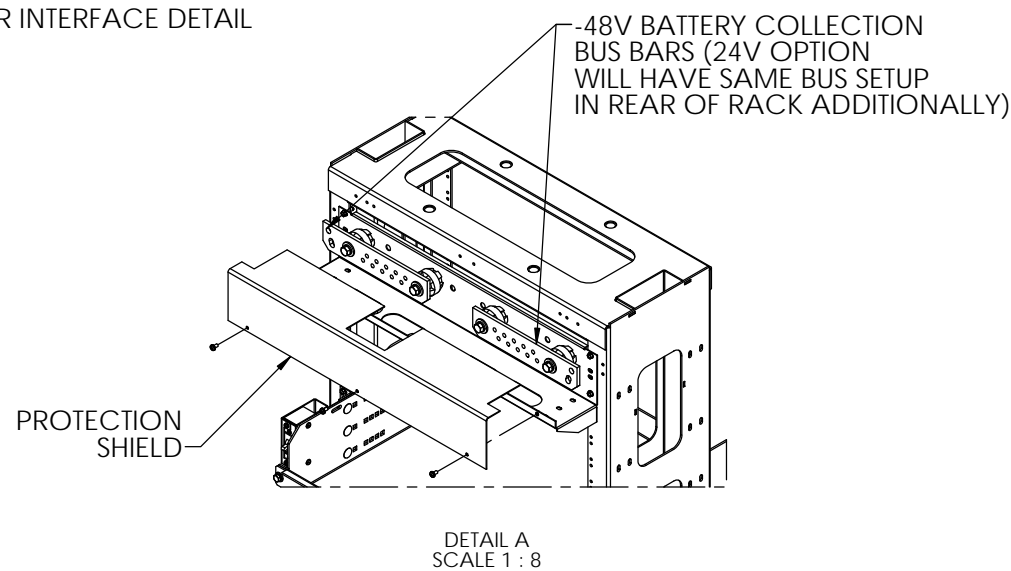
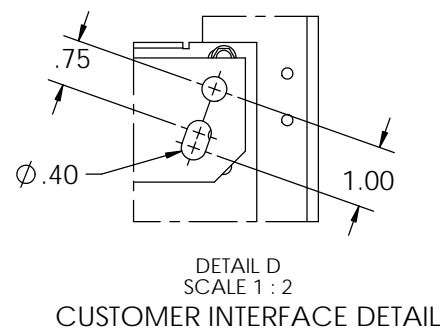
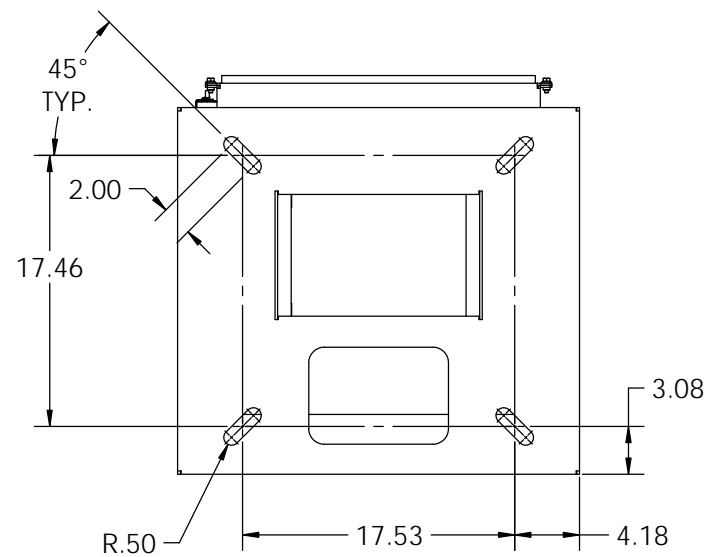
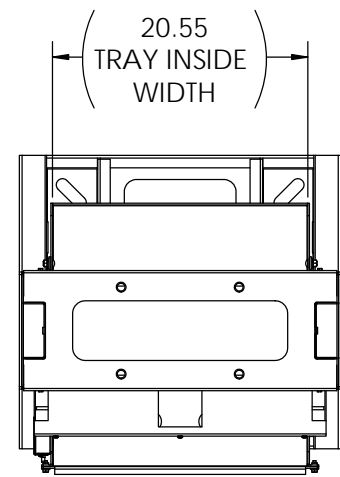
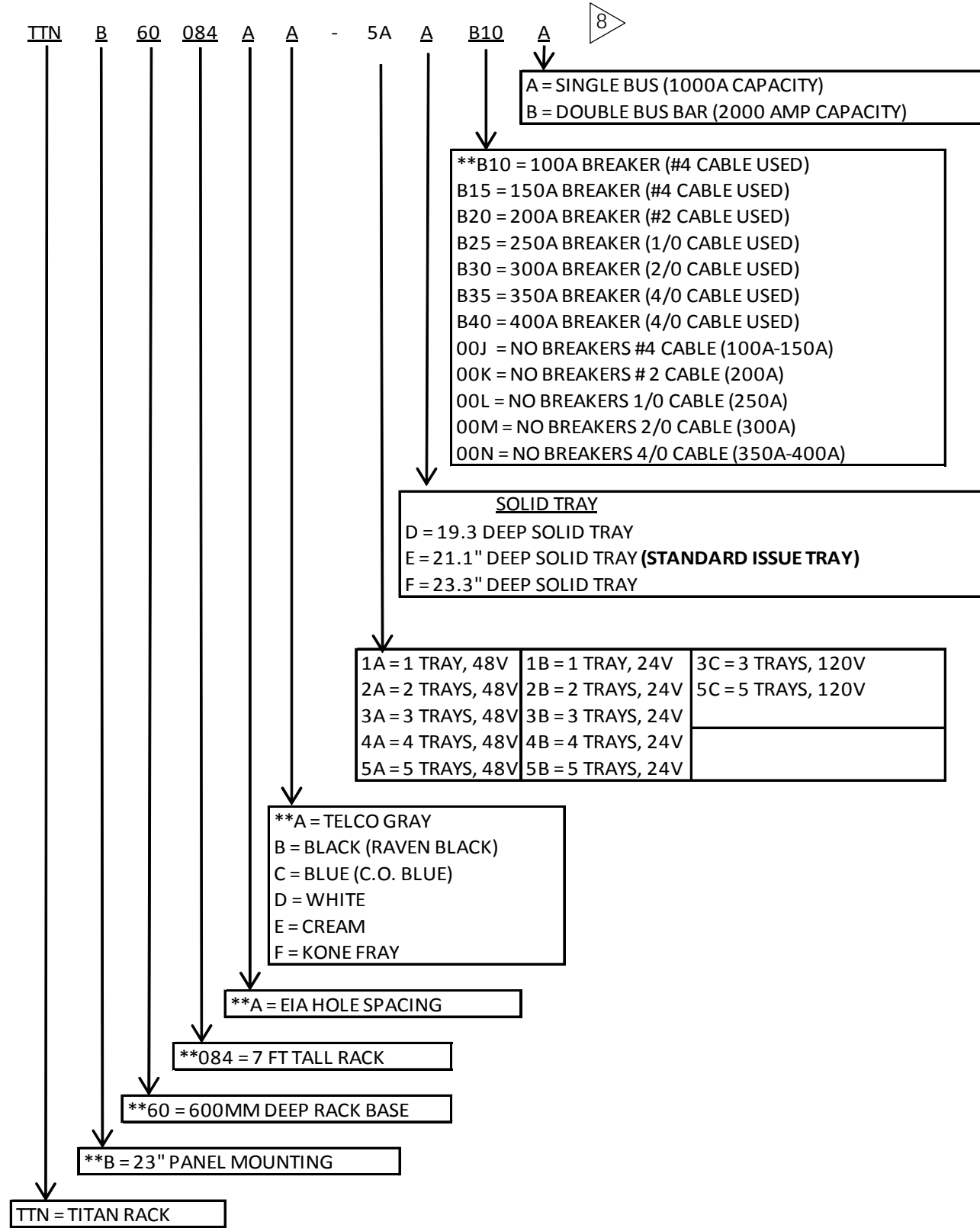


- NOTES:
1. MATERIAL: RACK IS MADE OF FULLY WELDED HEAVY GAUGE STEEL. BATTERY TRAYS ARE HEAVY GAUGE WELDED STEEL.
  2. FINISH: STANDARD FINISH IS POWDER COAT, SMOOTH TELCO GRAY. OTHER COLORS ARE AVAILABLE.
  3. WEIGHT: SEE "WEIGHTS" TABLE FOR APPROXIMATE WEIGHTS (WITHOUT BATTERIES).  
\*\*\*WEIGHTS SHOWN IN TABLE ARE BASED ON USING SOLID TRAYS AT 21.1" DEPTH
  4. RACKS ARE PREWIRED USING UL APPROVED CABLES AND BREAKERS.
  5. CABLES NOT SHOWN.
  6. RACKS ARE AVAILABLE IN HEIGHTS SHOWN IN PART NUMBER LEGEND. NUMBER OF BATTERY TRAYS THAT CAN FIT ON RACK DEPEND ON RACK DEPEND ON THE HEIGHT OF RACK ORDERED. 84" TALL RACKS ARE STOCK ITEMS.
  7. RACKS ARE CERTIFIED TO GR-63 SEISMIC ZONE 4 FOR UP TO 950 LBS. RACKS LOADED WITH MORE WEIGHT ARE CONSIDERED ZONE 2 COMPLIANT.
  8. ADD A "W" AFTER THE LAST DIGIT OF THE PART NUMBER FOR FACTORY BREAKER ALARM WIRE KIT.
  9. RACK WIDTH WILL INCREASE IF BREAKERS GREATER THAN 100A ARE USED.

SPECIFICATIONS		
APPROXIMATE RACK WEIGHTS		OPEN RU
1 TRAY	200 LBS	32
2 TRAYS	230 LBS	24
3 TRAYS	260 LBS	16
4 TRAYS	295 LBS	8
5 TRAYS	330 LBS	NA



\*\*\*NOTE: 5 BATTERY TRAY RACK SHOWN OPEN RACK UNITS DEPEND ON NUMBER OF BATTERY TRAYS INSTALLED



NOTE: MUST USE DASH (-) IN LOCATION SHOWN AFTER 10TH DIGIT  
\*\* STANDARD AND IN-STOCK EQUIPMENT

UNLESS OTHERWISE SPECIFIED: DIMENSIONS ARE IN INCHES				3233 W. Kingsley Rd. Garland, Texas 75041 PH. 972-272-2468 FAX 972-276-9844	
TITLE: CUSTOMER DRAWING, 23" SEISMIC BATTERY RACK, PREWIRED					
PROJECTION:	NAME: RNA	DATE: 11-10-16	SIZE: D	DWG. NO.: CDR-0003	REV: B
SCALE: 1:1			SHEET 1 OF 1		

PROPRIETARY AND CONFIDENTIAL  
THE INFORMATION CONTAINED IN THIS DRAWING IS THE SOLE PROPERTY OF ELECTRONIC SYSTEMS SUPPORT. ANY REPRODUCTION IN PART OR AS A WHOLE WITHOUT THE WRITTEN PERMISSION OF ELECTRONIC SYSTEMS SUPPORT IS PROHIBITED.