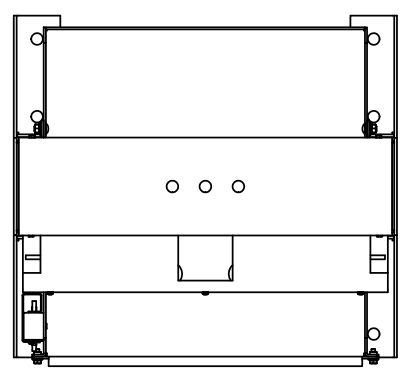
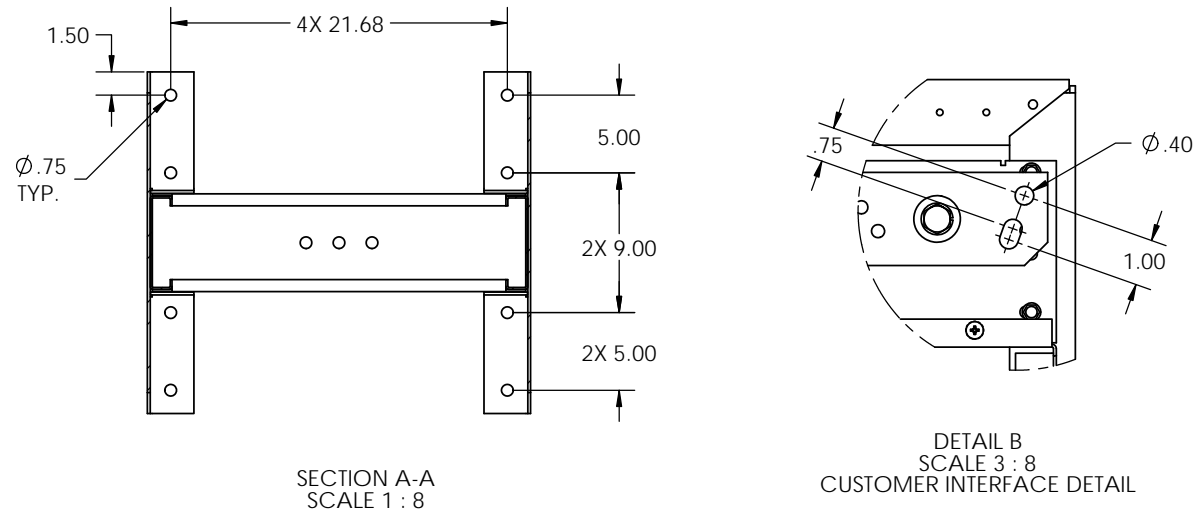


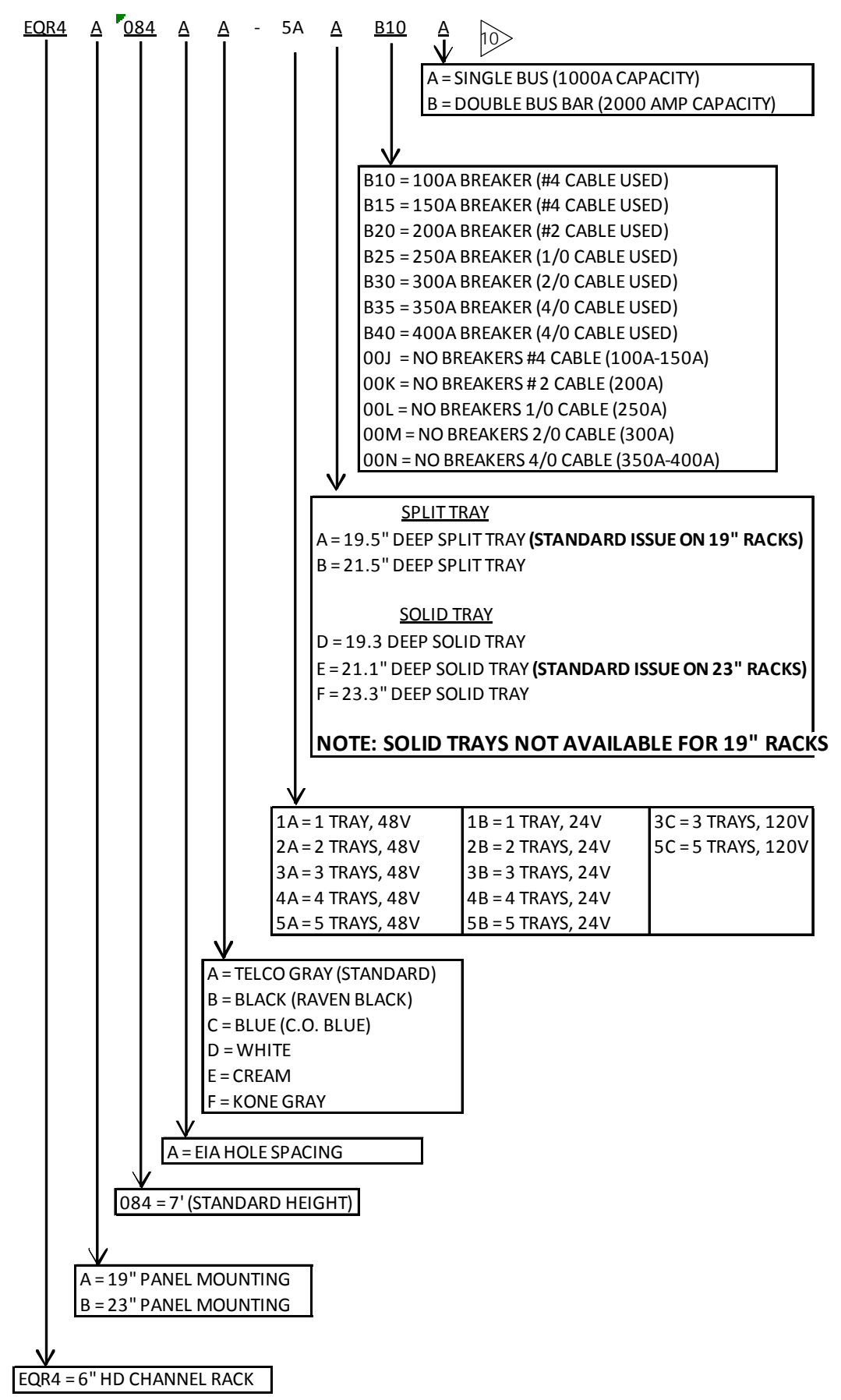
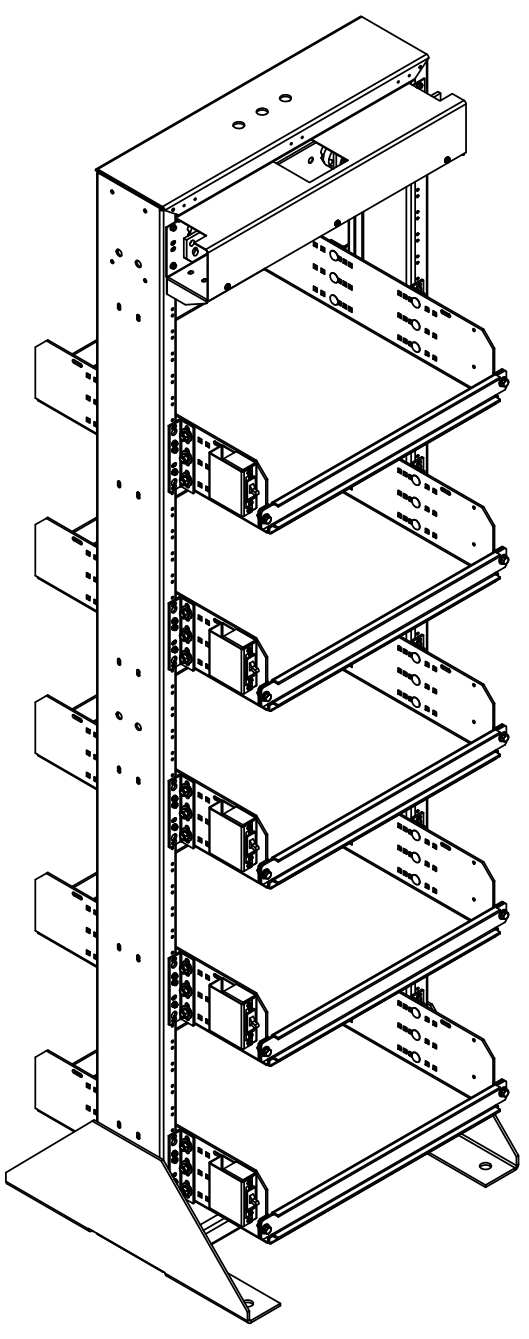
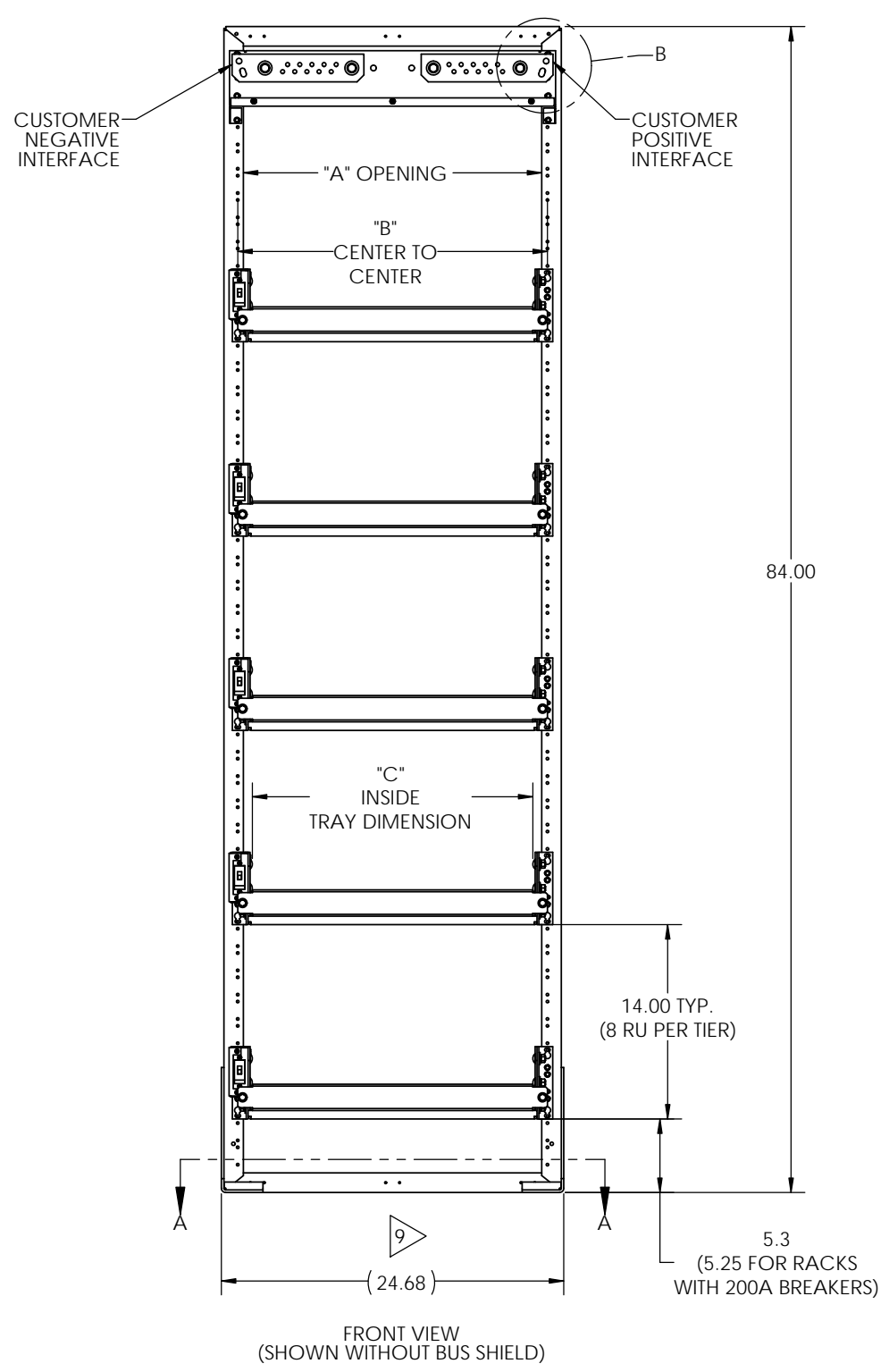
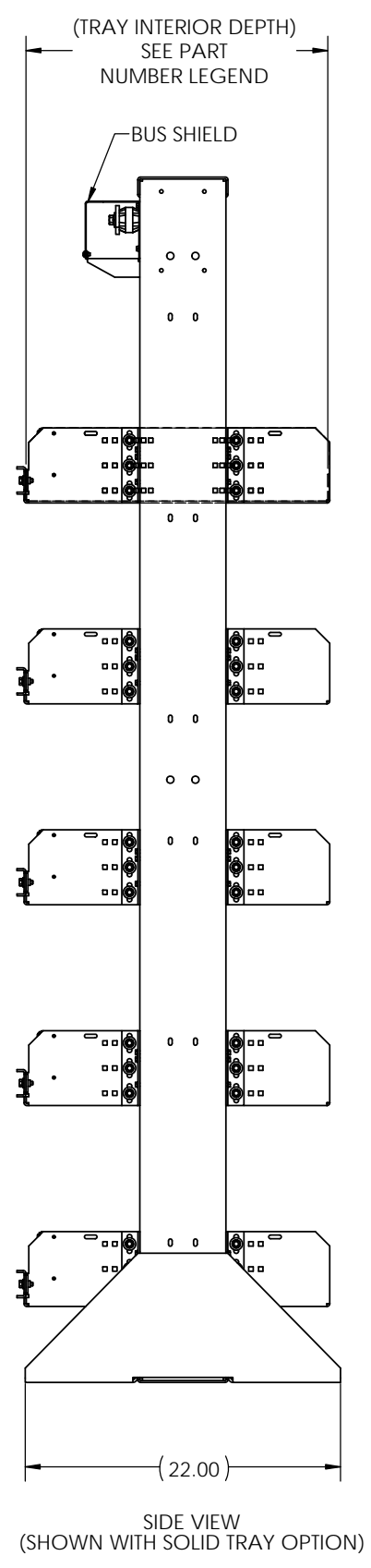
NOTES:

1. MATERIAL: RACK IS MADE OF FULLY WELDED HEAVY GAUGE STEEL. BATTERY TRAYS ARE HEAVY GAUGE WELDED STEEL.
2. FINISH: STANDARD FINISH IS POWDER COAT, SMOOTH TELCO GRAY. OTHER COLORS ARE AVAILABLE.
3. WEIGHT: SEE "WEIGHTS" TABLE FOR APPROXIMATE WEIGHTS (WITHOUT BATTERIES).
***WEIGHTS SHOWN IN TABLE ARE BASED STANDARD ISSUE BATTERY TRAYS WITH NO BREAKER OPTIONS AND #4 CABLE.
4. RACKS ARE PREWIRED USING UL APPROVED CABLES AND BREAKERS.
5. CABLES NOT SHOWN.
6. CUSTOM RACK HEIGHTS AVAILABLE. CONTACT SALES FOR OTHER OPTIONS.
7. PREWIRED RACK SYSTEMS ARE AVAILABLE ON 6" CHANNEL RACKS ONLY.
8. THESE ARE NON-SEISMIC RACKS. FOR SEISMIC OPTIONS PLEASE CONTACT SALES.
9. RACK WIDTH WILL INCREASE IF BREAKERS GREATER THAN 100A ARE USED.
10. ADD A "W" AFTER THE LAST DIGIT OF THE PART NUMBER FOR FACTORY BREAKER ALARM WIRE KIT.



RACK DIMENSIONS			
	A	B	C
19" RACK	17.75	18.32	17.42
23" RACK	21.50	22.32	20.22

SPECIFICATIONS			
APPROXIMATE RACK WEIGHTS			OPEN RU
	19" RACK	23" RACK	
1 TRAY	124 LBS	143 LBS	32
2 TRAYS	155 LBS	178 LBS	24
3 TRAYS	186 LBS	213 LBS	16
4 TRAYS	217 LBS	248 LBS	8
5 TRAYS	248 LBS	283 LBS	NA



***MUST USE DASH (-) IN LOCATION SHOWN AFTER 10TH DIGIT

PROPRIETARY AND CONFIDENTIAL
THE INFORMATION CONTAINED IN THIS DRAWING IS THE SOLE PROPERTY OF ELECTRONIC SYSTEMS SUPPORT. ANY REPRODUCTION IN PART OR AS A WHOLE WITHOUT THE WRITTEN PERMISSION OF ELECTRONIC SYSTEMS SUPPORT IS PROHIBITED.

UNLESS OTHERWISE SPECIFIED: DIMENSIONS ARE IN INCHES				3233 W. Kingsley Rd. Garland, Texas 75041 PH. 972-272-2468 FAX 972-276-9844	
TITLE: CUSTOMER DRAWING EQUIPMENT RACKS, HEAVY DUTY, PREWIRED					
PROJECTION:	NAME	DATE	SIZE	DWG. NO.	REV
	RNA	04-29-16	C	CDR-0001	B
SCALE: 1:1			SHEET 1 OF 1		