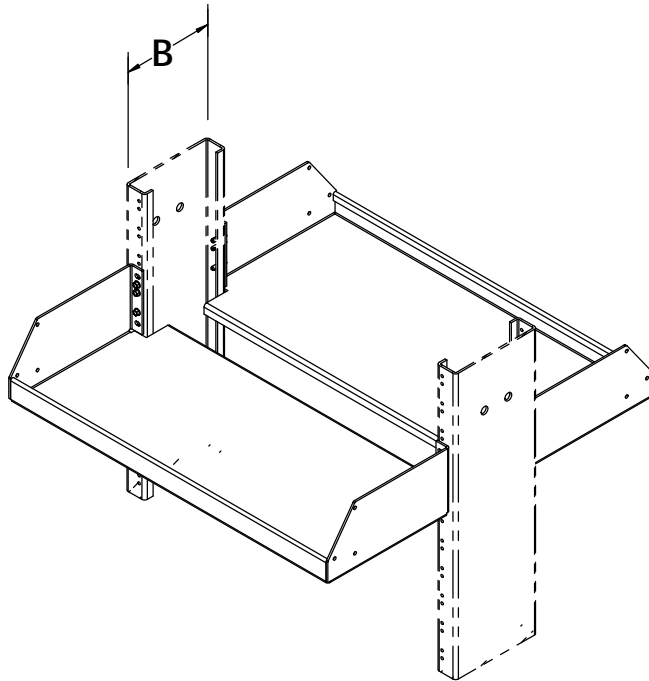
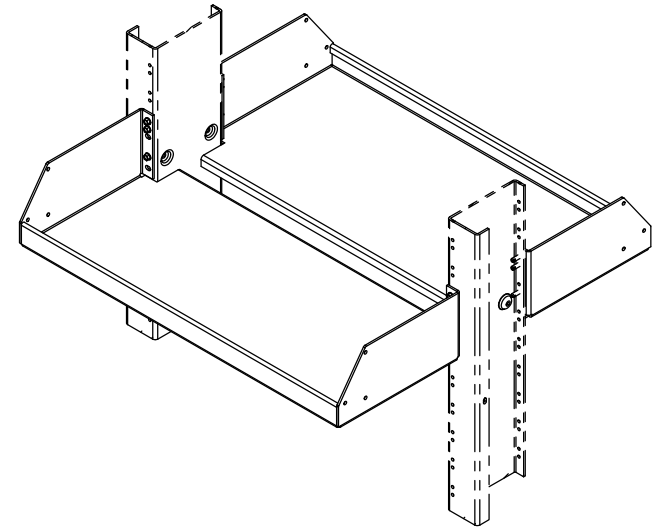


TITAN RACK



4" / 6" CHANNEL RACKS



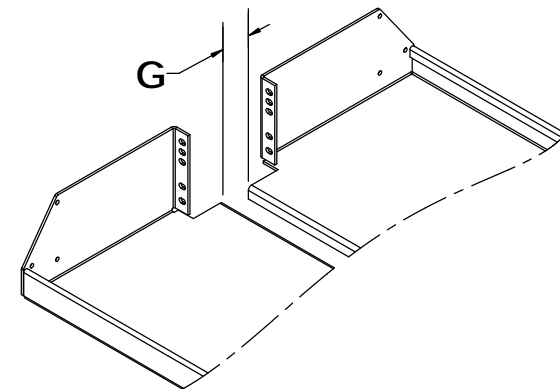
5" UNEQUAL FLANGE
(SURF + NET BAY)

NOTES:

1. MATERIAL: HEAVY GAUGE WELDED STEEL
2. FINISH: UNLESS OTHERWISE SPECIFIED STANDARD COLOR IS TELCO GRAY.
3. ADD COLOR CODE AFTER PART NUMBER. FOR EXAMPLE FOR TELCO GRAY PART NUMBER WILL BE 23BT2P-xx-TG.
4. PART TO BE USED WITH THIS TYPE OF RACK UNLESS OTHERWISE SPECIFIED.

COLOR CODE WILL BE ADDED AFTER PART NUMBER ON ESS P.O. TO SPECIFY COLOR NEEDED.

COLOR CODE	COLOR
RB	RAVEN BLACK
LB	LIEBERT BLACK
LG	LEIBERT GRAY
MB	MITSUBISHI BEIGE
BL	C.O. BLUE
WH	C.O. WHITE



PART NUMBER	APPLICABLE RACKS	SPECIFICATIONS			
		TOTAL INSIDE DEPTH	CHANNEL WIDTH	GAP BETWEEN TRAYS	APPROX. WEIGHT LBS. (2 TRAYS)
		A	B	G	
23BT2P-01	TITAN RACK	21.5"	9 3/8"	.5"	24
23BT2P-02	6" CHANNEL RACK	23.5"	6"	2.5"	22
23BT2P-03	6" CHANNEL RACK	21.5"	6"	2.5"	23
23BT2P-04	6" CHANNEL RACK	18.5"	6"	2.5"	20
23BT2P-05	SUFR / NET BAY	22.5"	5"	1.5"	22
23BT2P-06	SUFR / NET BAY	20.5"	5"	1.5"	23
23BT2P-07	SUFR / NET BAY	17.5"	5"	1.5"	20
23BT2P-08	4" CHANNEL RACK	21.5"	4"	.5"	22
23BT2P-09	4" CHANNEL RACK	19.5"	4"	.5"	23
23BT2P-10	4" CHANNEL RACK	16.5"	4"	.5"	20

PROPRIETARY AND CONFIDENTIAL
THE INFORMATION CONTAINED IN THIS DRAWING IS THE SOLE PROPERTY OF ELECTRONIC SYSTEMS SUPPORT. ANY REPRODUCTION IN PART OR AS A WHOLE WITHOUT THE WRITTEN PERMISSION OF ELECTRONIC SYSTEMS SUPPORT IS PROHIBITED.

UNLESS OTHERWISE SPECIFIED: DIMENSIONS ARE IN INCHES		Electronic Systems Support www.ess.to		3233 W. Kingsley Rd. Garland, Texas 75041 PH. 972-272-2468 FAX 972-276-9844	
TITLE: BATTERY TRAY KIT, SPLIT, 23" RACKS					
PROJECTION:	NAME: LEM	DATE: 3/24/16	SIZE: C	DWG. NO.: 23BT2P-SPEC	REV: A
SCALE: 1:8				SHEET 1 OF 1	