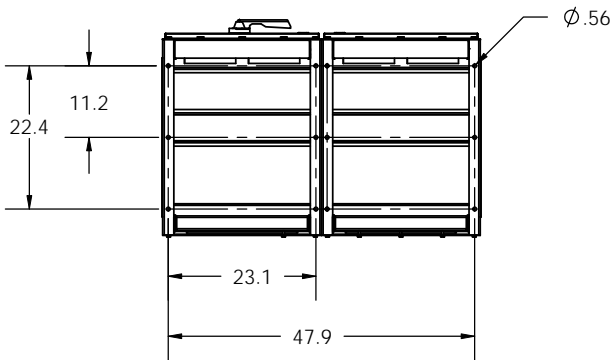
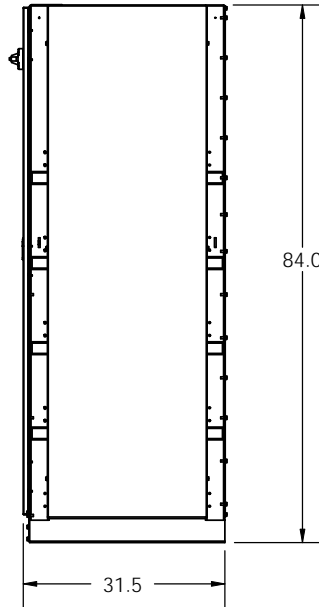
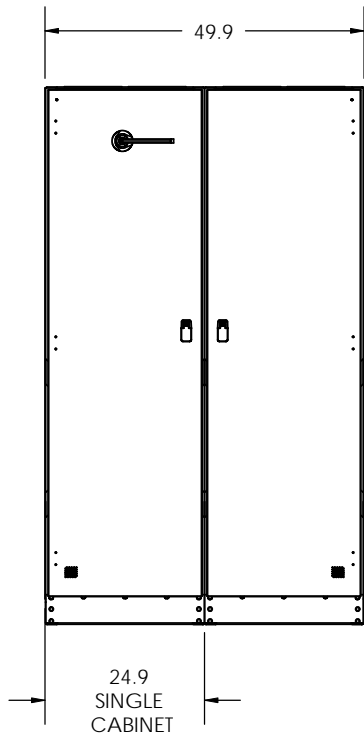
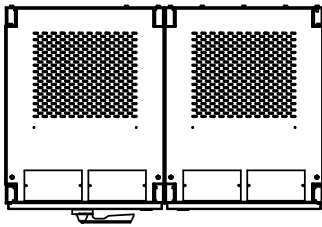


SPECIFICATIONS	
HEIGHT	84.0 INCHES
WIDTH (2 CABINETS)	49.9 INCHES
WIDTH (1 CABINET)	24.9 INCHES
DEPTH	31.5 INCHES
WEIGHT (EACH CABINET)	4400 LBS.
VOLTAGE	480V



NOTES:

- SPEC DATA SHEET IS FOR MODEL P/N ST65925480. THIS MODEL NUMBER IS NOT COMPLETE. SEE TABLES BELOW FOR OPTIONS IN ORDER TO COMPLETE MODEL PART NUMBER. ADD THE CORRESPONDING 11-16 DIGITS AS SHOWN IN TABLES BELOW DEPENDING ON THE OPTIONS REQUIRED BY SYSTEM.
- COLOR: GRAY POWDER COAT

Breaker	Options	Breaker Size (in Amps)	Breaker Options: UVR or Shunt Trip
Digit 11	Digit 12	Digit 13-15	Digit 16
One Character in Length	One Character in Length	Three Characters in Length	One Character in Length
B Breaker	0 Standard	400 400 Amp	A 24 VDC Shunt Trip/Dual Aux
	L Locked	600 600 Amp	B 48 VDC Shunt Trip/Dual Aux
		800 800 Amp	C 24 UVR/Dual Aux
		A00 1000 Amp	D 48 UVR/Dual Aux
			E 250V Shunt Trip

Fuse	Options	Fuse Size (in Amps)	Fuse Options
Digit 11	Digit 12	Digit 13-15	Digit 16
One Character in Length	One Character in Length	Three Characters in Length	One Character in Length
F Fuse	0 Standard	400 400 Amp	0 No options
	L Locked	600 600 Amp	1 Blown Fuse Indicator (BFI)
		800 800 Amp	
		A00 1000 Amp	

PROPRIETARY AND CONFIDENTIAL
THE INFORMATION CONTAINED IN THIS DRAWING IS THE SOLE PROPERTY OF ELECTRONIC SYSTEMS SUPPORT. ANY REPRODUCTION IN PART OR AS A WHOLE WITHOUT THE WRITTEN PERMISSION OF ELECTRONIC SYSTEMS SUPPORT IS PROHIBITED.

USED ON

UNLESS OTHERWISE SPECIFIED:
DIMENSIONS ARE IN INCHES
TOLERANCES:
ANGULAR: MACH ±.5 BEND ±1
TWO PLACE DECIMAL ±.01
THREE PLACE DECIMAL ±.005
PROJECTION:
MATERIAL
SEE NOTE 1
FINISH
SEE NOTE 2
DO NOT SCALE DRAWING



ELECTRONIC SYSTEM SUPPORT
888-475-9292 www.ess.to

110 AUSTIN STREET
GARLAND, TX 75040
PH. 972-272-2468
FAX 972-276-9844

NAME	DATE	TITLE:	SIZE	DWG. NO.	REV
DRAWN	RNA	11-20-09	6 X 5 925 BATTERY CABINETS ST65925480XXXXXX		
CHECKED			B	ST65925480-SPEC	A
ENG APPR.					
MFG APPR.			SCALE: 1:16	WEIGHT:	SHEET 1 OF 1
Q.A.					