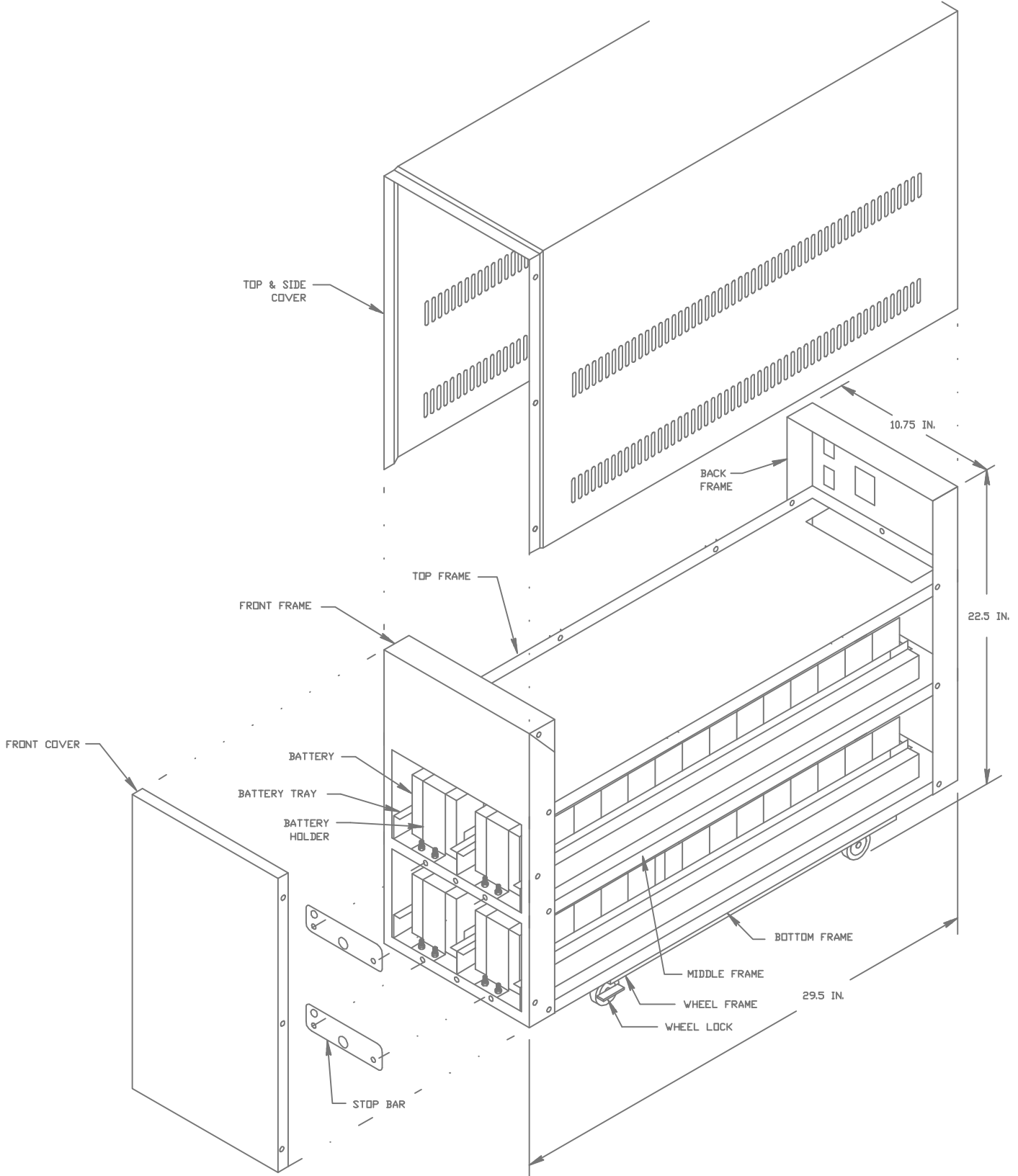


**NOTES :**

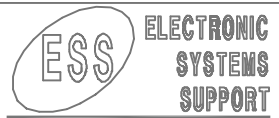
1/ USE #6 PAN HEAD SCREWS, LOCK WASHERS, FLAT WASHERS AND NUTS TO INSTALL ALL PARTS.

**REVISIONS**

LTR	DESCRIPTIONS	DATE	APPROVED
A	THE FIRST ISSUE	1/15/99	T. GRIFFIN
B	FIRST REVISION	8/24/04	G. GRIFFIN



ASSEMBLY OF BATTERY CABINET C112923



110 AUSTIN STREET  
 GARLAND, TEXAS 75040  
 VOICE # (972) 272-2468  
 FAX # (972) 276-9844  
 E-MAIL: SALES@ESS.TX

upkison