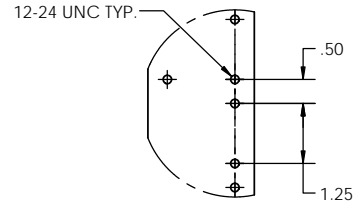
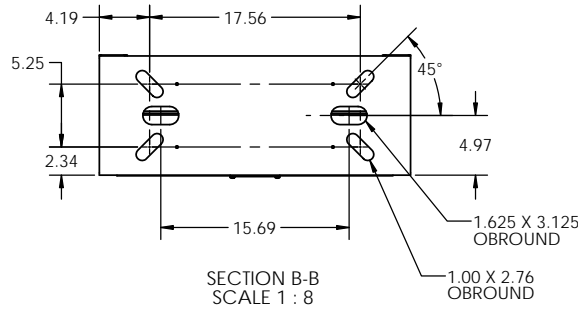
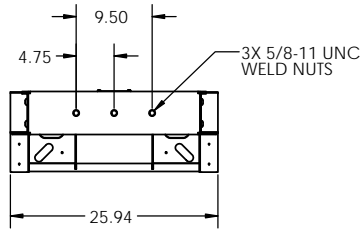


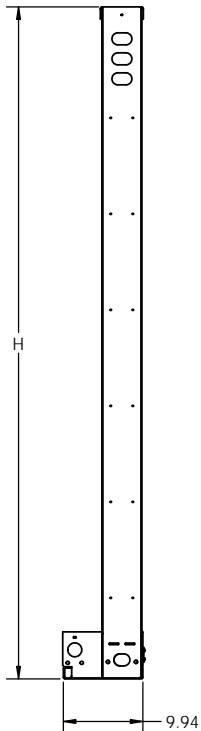
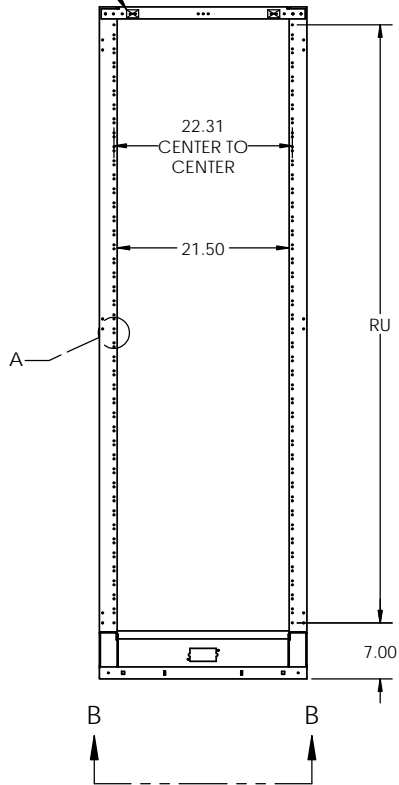
NOTES:

1. MATERIAL: HEAVY GAUGE WELDED STEEL FRAME
2. STANDARD FINISH: TELCO GRAY POWDER COAT (OTHER COLORS AVAILABLE)
3. STATIC RATING: 850 LBS
4. HEIGHTS LISTED IN TABLE 1 ARE STANDARD HEIGHTS. SEE PART NUMBER LEGEND FOR ADDITIONAL HEIGHTS AVAILABLE.
5. IT IS RECOMMENDED TO SUPPORT RACKS TALLER THAN 8 FT. FROM TOP IN ADDITION TO FLOOR MOUNTING.

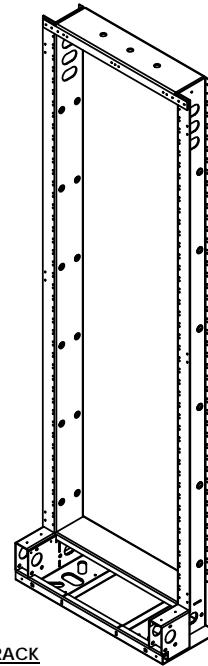


DETAIL A
SCALE 1 : 2
EIA HOLE SPACING

MASKED GROUND PROVISIONS FRONT AND REAR



EIA RACK



UNEQUAL FLANGE RACKS PART NUMBER LEGEND

UFR B 31 084 A A

A	TELCO GRAY
B	BLACK
C	BLUE
D	WHITE
E	CREAM
F	KONE GRAY

HOLE SPACING	
A	EIA HOLE SPACING

060	5'
066	5'6"
072	6'
078	6'6"
084	7'
090	7'6"
096	8'
102	8'6"
108	9'
114	9'6"
120	10'
126	10'6"
132	11'
138	11'6"

31	CLOSED DUCT
32	OPEN DUCT
33	CLOSED DUCT (TOP ANGLE OPTION)
34	OPEN DUCT (TOP ANGLE OPTION)

RACK WIDTH	
B	23" PANEL MOUNTING

RACK STYLE	
UFR	STANDARD UNEQUAL FLANGE RACK

MODEL NO.	RACK UNITS EIA(RU)	HEIGHT (H)	WEIGHT (LBS.)
UFRB31084Ax	43	84	81
UFRB31090Ax	46	90	84
UFRB31096Ax	49	96	87
UFRB31108Ax	56	108	93
UFRB31138Ax	73	138	108

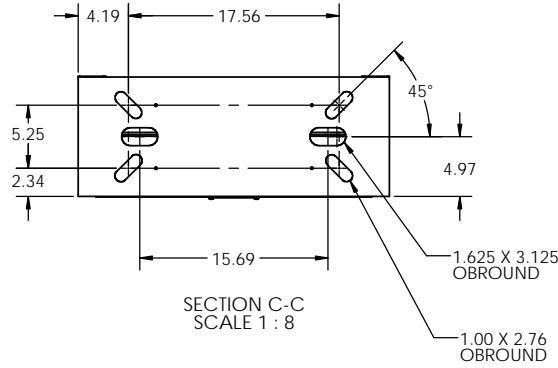
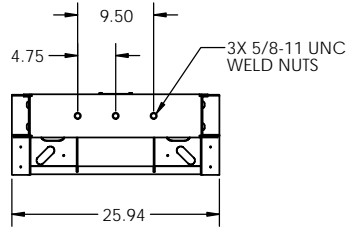
**LAST DIGIT (X) OF THE ABOVE PART NUMBER REPRESENTS COLOR. SEE PART NUMBER LEGEND TO COMPLETE PART NUMBER.

PROPRIETARY AND CONFIDENTIAL
THE INFORMATION CONTAINED IN THIS DRAWING IS THE SOLE PROPERTY OF ELECTRONIC SYSTEMS SUPPORT. ANY REPRODUCTION IN PART OR AS A WHOLE WITHOUT THE WRITTEN PERMISSION OF ELECTRONIC SYSTEMS SUPPORT IS PROHIBITED.

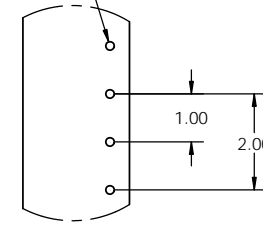
UNLESS OTHERWISE SPECIFIED: DIMENSIONS ARE IN INCHES		Electronic Systems Support www.ess.to		3233 W. Kingsley Rd. Garland, Texas 75041 PH. 972-272-2468 FAX 972-276-9844	
TITLE: UNEQUAL FLANGE RACK, 23", NON-SEISMIC, CLOSED DUCT					
PROJECTION:	NAME:	DATE:	SIZE: C	DWG. NO. UFRB31xxxx-SPEC	REV A
DRAWN BY: RNA	DATE: 11-9-17	SCALE: 1:12		SHEET 1 OF 2	

NOTES:

1. MATERIAL: HEAVY GAUGE WELDED STEEL FRAME
2. STANDARD FINISH: TELCO GRAY POWDER COAT (OTHER COLORS AVAILABLE)
3. STATIC RATING: 850 LBS
4. HEIGHTS LISTED IN TABLE 1 ARE STANDARD HEIGHTS. SEE PART NUMBER LEGEND FOR ADDITIONAL HEIGHTS AVAILABLE.
5. IT IS RECOMMENDED TO SUPPORT RACKS TALLER THAN 8 FT. FROM TOP IN ADDITION TO FLOOR MOUNTING.

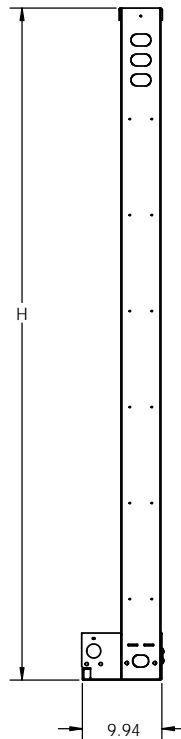
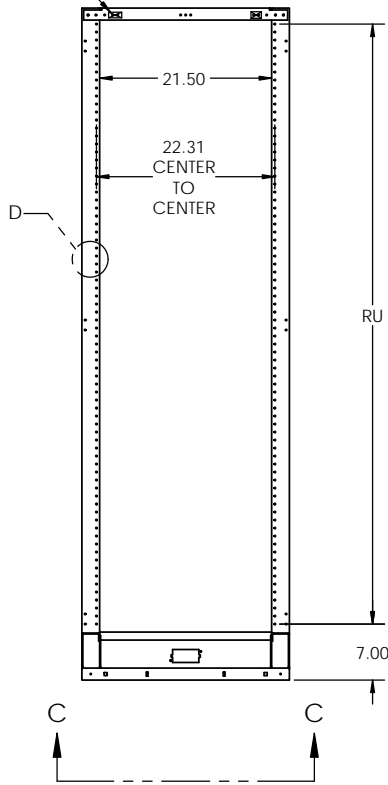


12-24 UNC, TYP



DETAIL D
SCALE 1 : 2
WECO HOLE SPACING

MASKED GROUND PROVISIONS FRONT AND REAR



WECO RACK

UNEQUAL FLANGE RACKS PART NUMBER LEGEND

UFR B 31 084 B A

A	TELCO GRAY
B	BLACK
C	BLUE
D	WHITE
E	CREAM
F	KONE GRAY

HOLE SPACING	
B	WECO HOLE SPACING

060	5'
066	5'6"
072	6'
078	6'6"
084	7'
090	7'6"
096	8'
102	8'6"
108	9'
114	9'6"
120	10'
126	10'6"
132	11'
138	11'6"

31	CLOSED DUCT
32	OPEN DUCT
33	CLOSED DUCT (TOP ANGLE OPTION)
34	OPEN DUCT (TOP ANGLE OPTION)

RACK WIDTH	
B	23" PANEL MOUNTING

RACK STYLE	
UFR	STANDARD UNEQUAL FLANGE RACK

MODEL NO.	RACK UNITS WECO(RU)	HEIGHT (H)	WEIGHT (LBS.)
UFRB31084Bx	38	84	81
UFRB31090Bx	41	90	84
UFRB31096Bx	44	96	87
UFRB31108Bx	50	108	93
UFRB31138Bx	65	138	108

**LAST DIGIT (X) OF THE ABOVE PART NUMBER REPRESENTS COLOR. SEE PART NUMBER LEGEND TO COMPLETE PART NUMBER.

PROPRIETARY AND CONFIDENTIAL
THE INFORMATION CONTAINED IN THIS DRAWING IS THE SOLE PROPERTY OF ELECTRONIC SYSTEMS SUPPORT. ANY REPRODUCTION IN PART OR AS A WHOLE WITHOUT THE WRITTEN PERMISSION OF ELECTRONIC SYSTEMS SUPPORT IS PROHIBITED.

UNLESS OTHERWISE SPECIFIED: DIMENSIONS ARE IN INCHES		Electronic Systems Support www.ess.to		3233 W. Kingsley Rd. Garland, Texas 75041 PH. 972-272-2468 FAX 972-276-9844	
TITLE: UNEQUAL FLANGE RACK, 23", NON-SEISMIC, CLOSED DUCT					
PROJECTION:	NAME:	DATE:	SIZE: C	DWG. NO.:	REV: A
DRAWN BY: RNA	DATE: 11-9-17			UFRB31xxxx-SPEC	
SCALE: 1:12				SHEET 2 OF 2	