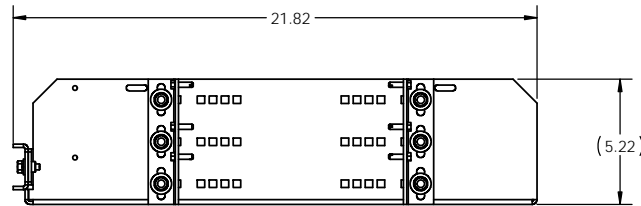
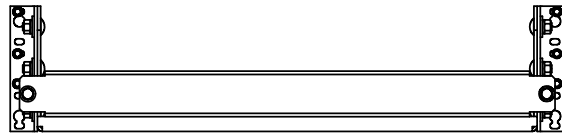
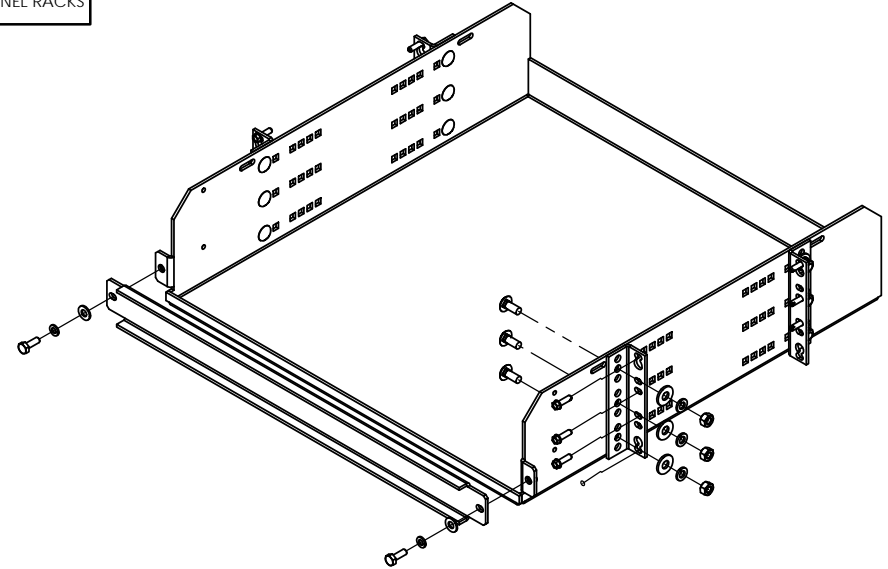
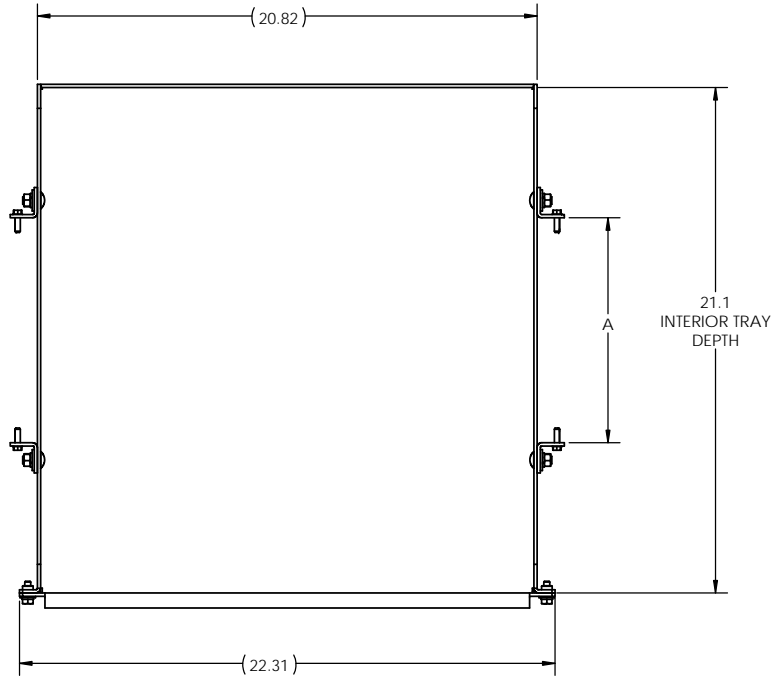


NOTES:

1. MATERIAL: HEAVY GAUGE WELDED STEEL
2. FINISH: POWDER COAT TELCO GRAY FINISH
3. PARTS ARE TO BE ASSEMBLED BY THE CUSTOMER.
4. ALL NECESSARY MOUNTING HARDWARE INCLUDED.
5. APPROXIMATE UNPACKAGED WEIGHT: 31 LBS
6. SUGGESTED WEIGHT CAPACITY: 500 LBS

ADJUSTABLE DIMENSION	
DIM "A"	USED ON
3"	3" CHANNEL RACKS
4"	4" CHANNEL RACKS
5"	5" CHANNEL RACKS
6"	6" CHANNEL RACKS
8"	8" CHANNEL RACKS
9.38"	9.38" CHANNEL RACKS



PROPRIETARY AND CONFIDENTIAL
 THE INFORMATION CONTAINED IN THIS DRAWING IS THE SOLE PROPERTY OF ELECTRONIC SYSTEMS SUPPORT. ANY REPRODUCTION IN PART OR AS A WHOLE WITHOUT THE WRITTEN PERMISSION OF ELECTRONIC SYSTEMS SUPPORT IS PROHIBITED.

UNLESS OTHERWISE SPECIFIED: DIMENSIONS ARE IN INCHES		Electronic Systems Support 3233 W. Kingsley Rd. Garland, Texas 75041 PH. 972-272-2468 FAX 972-276-9844 www.ess.to	
TITLE: TELECOM TRAY, 23", 21.1 DEEP HEAVY DUTY (CUSTOMER DRAWING)			
PROJECTION:	NAME: _____	DATE: _____	REV: _____
DRAWN BY: RNA	DATE: 11-04-16	SIZE: C	DWG. NO. TEL23TRAY-A-SPEC
SCALE: 1:16			SHEET 1 OF 1