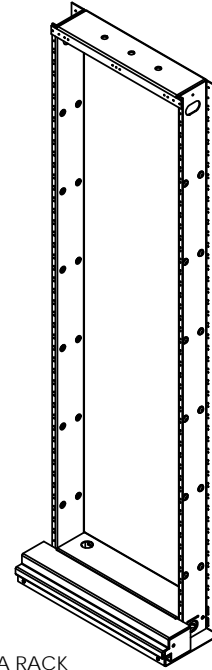
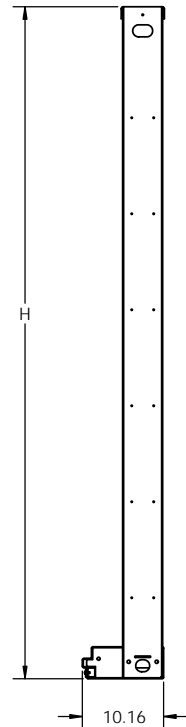
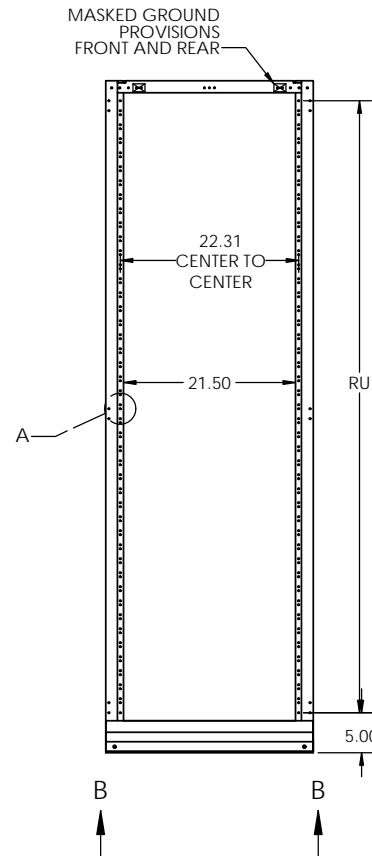
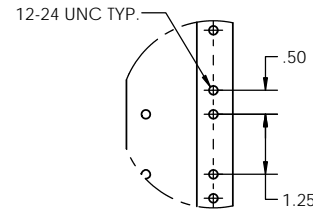
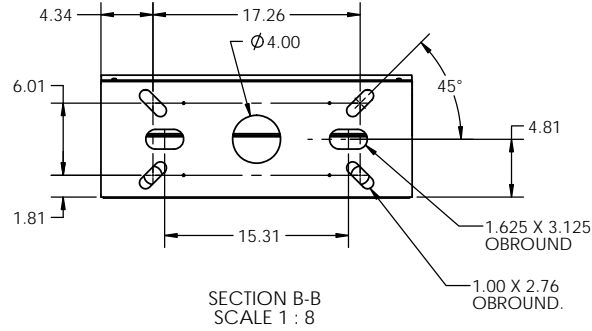
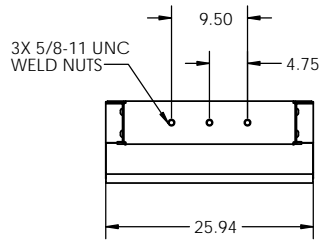


NOTES:

1. MATERIAL: HEAVY GAUGE WELDED STEEL FRAME
2. STANDARD FINISH: TELCO GRAY POWDER COAT (OTHER COLORS AVAILABLE)
3. STATIC RATING: 850 LBS
4. HEIGHTS LISTED IN TABLE 1 ARE STANDARD HEIGHTS. SEE PART NUMBER LEGEND FOR ADDITIONAL HEIGHTS AVAILABLE.
5. IT IS RECOMMENDED TO SUPPORT RACKS TALLER THAN 8 FT. FROM TOP IN ADDITION TO FLOOR MOUNTING.



NETWORK BAYS PART NUMBER LEGEND

NB B 32 084 A A

A	TELCO GRAY
B	BLACK
C	BLUE
D	WHITE
E	CREAM
F	KONE GRAY

HOLE SPACING	
A	EIA HOLE SPACING

060	5'
066	5'6"
072	6'
078	6'6"
084	7'
090	7'6"
096	8'
102	8'6"
108	9'
114	9'6"
120	10'
126	10'6"
132	11'
138	11'6"

31	CLOSED DUCT
32	OPEN DUCT
33	CLOSED DUCT (TOP ANGLE OPTION)
34	OPEN DUCT (TOP ANGLE OPTION)

RACK WIDTH	
B	23" PANEL MOUNTING

SNB	
NB	STANDARD NETWORK BAY

TABLE 1

MODEL NO.	RACK UNITS (RU)	HEIGHT (H)	WEIGHT (LBS.)
NBB32084Ax	44	84	86
NBB32090Ax	47	90	89
NBB32096Ax	50	96	92
NBB32108Ax	57	108	98
NBB32138Ax	74	138	113

**LAST DIGIT (X) OF THE ABOVE PART NUMBER REPRESENTS COLOR. SEE PART NUMBER LEGEND TO COMPLETE PART NUMBER.

PROPRIETARY AND CONFIDENTIAL
THE INFORMATION CONTAINED IN THIS DRAWING IS THE SOLE PROPERTY OF ELECTRONIC SYSTEMS SUPPORT. ANY REPRODUCTION IN PART OR AS A WHOLE WITHOUT THE WRITTEN PERMISSION OF ELECTRONIC SYSTEMS SUPPORT IS PROHIBITED.

UNLESS OTHERWISE SPECIFIED:
DIMENSIONS ARE IN INCHES

ESS Electronic Systems Support
www.ess.to

3233 W. Kingsley Rd.
Garland, Texas 75041
PH. 972-272-2468
FAX 972-276-9844

TITLE: NETWORK BAY, 23" NON-SEISMIC, OPEN DUCT

PROJECTION:	NAME:	DATE:	SIZE: C	DWG. NO.: NBB32xxxx-SPEC	REV: A
DRAWN BY: RNJ	DATE: 11/7/17		SCALE: 1:12		SHEET 1 OF 2

NOTES:

1. MATERIAL: HEAVY GAUGE WELDED STEEL FRAME
2. STANDARD FINISH: TELCO GRAY POWDER COAT (OTHER COLORS AVAILABLE)
3. STATIC RATING: 850 LBS
4. HEIGHTS LISTED IN TABLE 1 ARE STANDARD HEIGHTS. SEE PART NUMBER LEGEND FOR ADDITIONAL HEIGHTS AVAILABLE.
5. IT IS RECOMMENDED TO SUPPORT RACKS TALLER THAN 8 FT. FROM TOP IN ADDITION TO FLOOR MOUNTING.

NETWORK BAYS PART NUMBER LEGEND

NB B 32 084 B A

A	TELCO GRAY
B	BLACK
C	BLUE
D	WHITE
E	CREAM
F	KONE GRAY

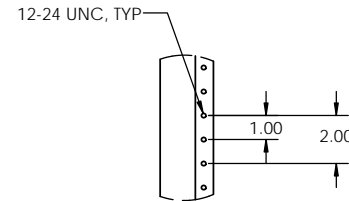
HOLE SPACING
B WECO HOLE SPACING

060	5'
066	5'6"
072	6'
078	6'6"
084	7'
090	7'6"
096	8'
102	8'6"
108	9'
114	9'6"
120	10'
126	10'6"
132	11'
138	11'6"

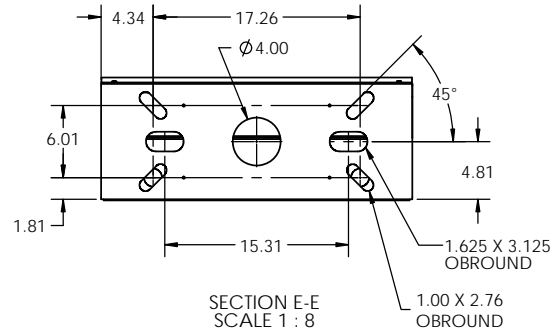
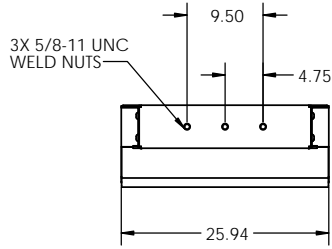
31	CLOSED DUCT
32	OPEN DUCT
33	CLOSED DUCT (TOP ANGLE OPTION)
34	OPEN DUCT (TOP ANGLE OPTION)

RACK WIDTH	
B	23" PANEL MOUNTING

SNB	
NB	STANDARD NETWORK BAY



DETAIL F
SCALE 1 : 4
WECO HOLE SPACING



SECTION E-E
SCALE 1 : 8

MASKED GROUND PROVISIONS FRONT AND REAR

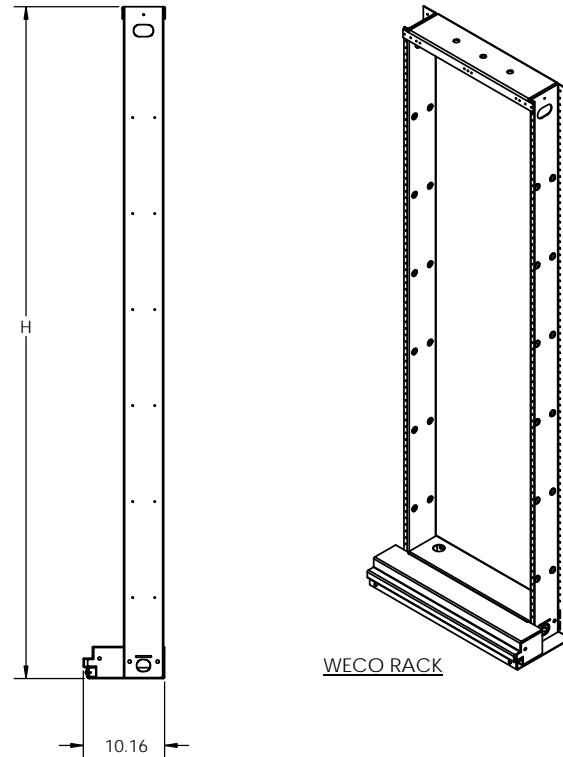
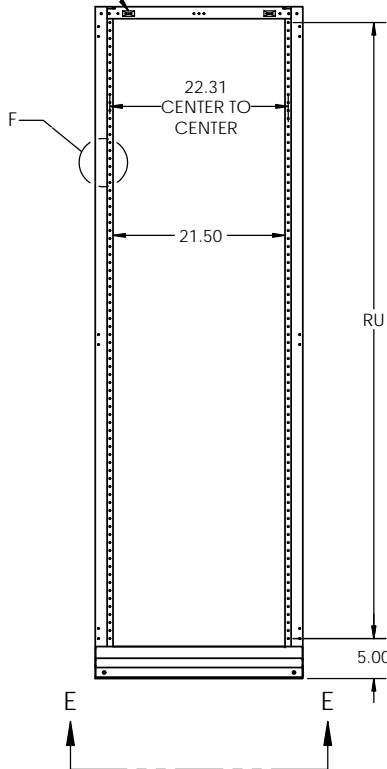


TABLE 1

MODEL NO.	RACK UNITS (RU)	HEIGHT (H)	WEIGHT (LBS.)
NBB32084Bx	39	84	86
NBB32090Bx	42	90	89
NBB32096Bx	45	96	92
NBB32108Bx	51	108	98
NBB32138Bx	66	138	113

**LAST DIGIT (X) OF THE ABOVE PART NUMBER REPRESENTS COLOR. SEE PART NUMBER LEGEND TO COMPLETE PART NUMBER.

PROPRIETARY AND CONFIDENTIAL
THE INFORMATION CONTAINED IN THIS DRAWING IS THE SOLE PROPERTY OF ELECTRONIC SYSTEMS SUPPORT. ANY REPRODUCTION IN PART OR AS A WHOLE WITHOUT THE WRITTEN PERMISSION OF ELECTRONIC SYSTEMS SUPPORT IS PROHIBITED.

UNLESS OTHERWISE SPECIFIED: DIMENSIONS ARE IN INCHES		Electronic Systems Support www.ess.to		3233 W. Kingsley Rd. Garland, Texas 75041 PH. 972-272-2468 FAX 972-276-9844	
TITLE: NETWORK BAY, 23" NON-SEISMIC, OPEN DUCT					
PROJECTION:	NAME:	DATE:	SIZE: C	DWG. NO.: NBB32xxxxx-SPEC	REV: A
DRAWN BY: RNJ	DATE: 11/7/17	SCALE: 1:12		SHEET 2 OF 2	