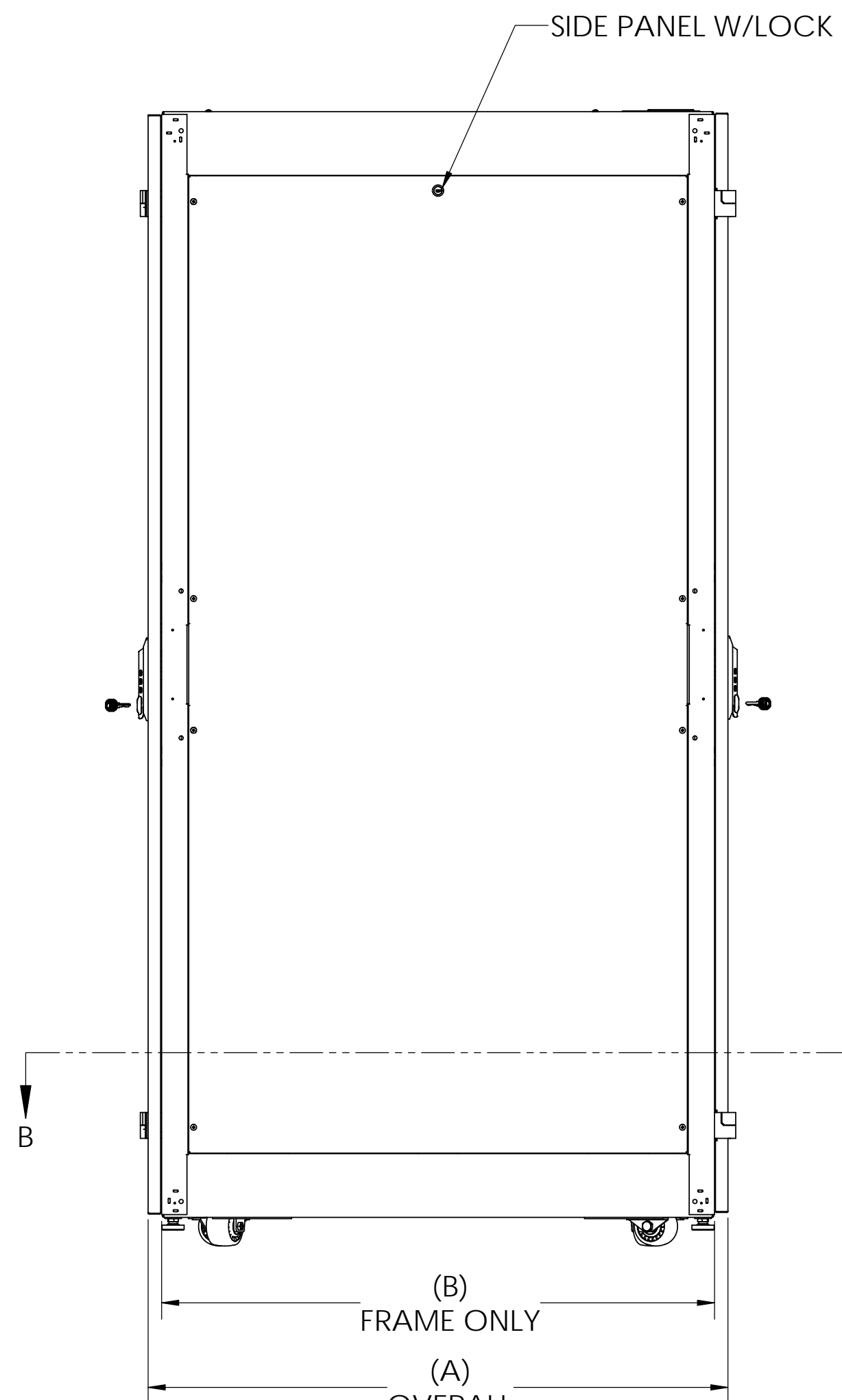
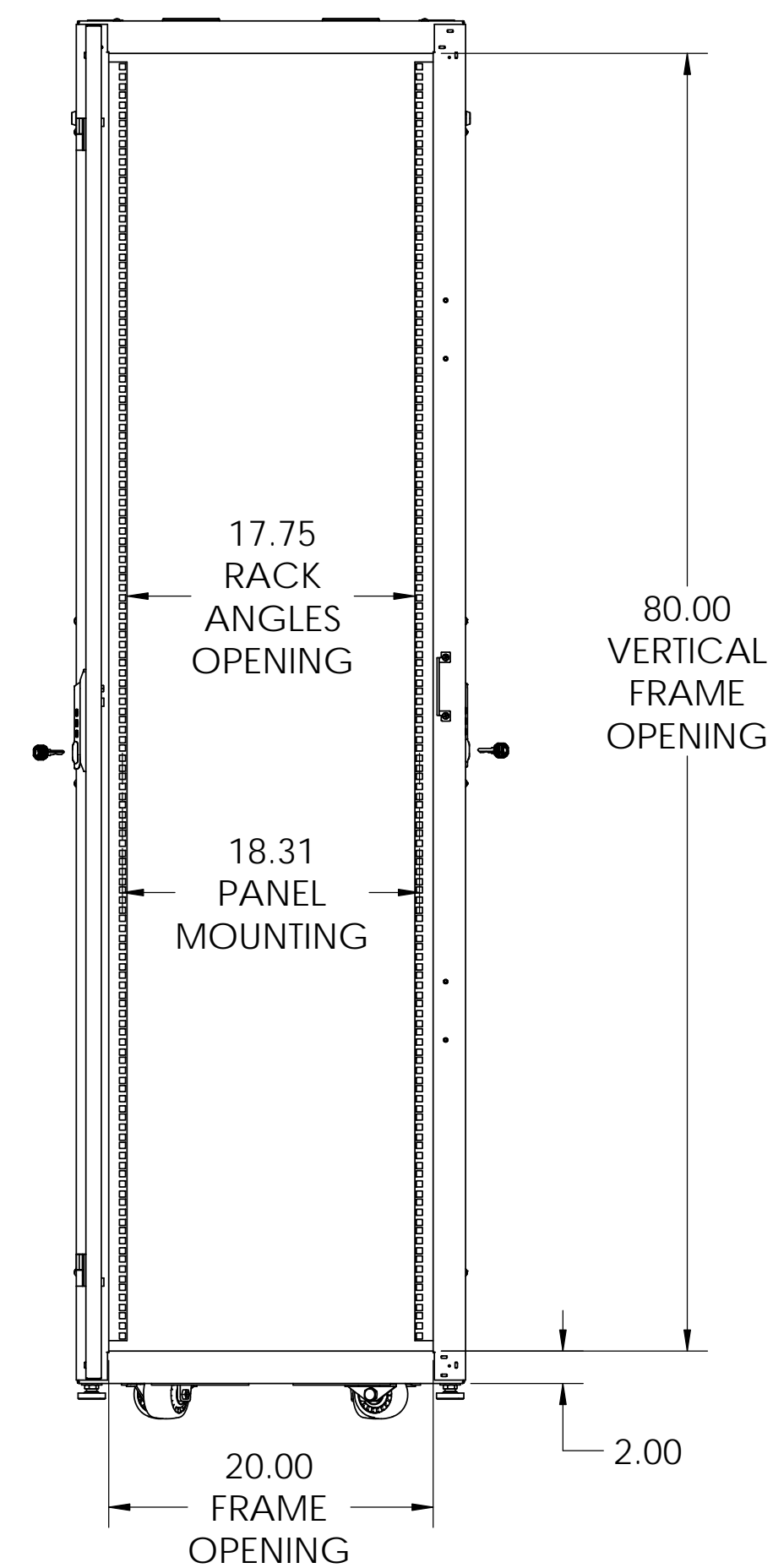


FRONT VIEW



SIDE VIEW



FRONT VIEW-DOORS OPEN

OVERALL DEPTH (A)	FRAME DEPTH (B)	ANCHOR LOCATION (C)	MAXIMUM MOUNTING ANGLE SPACING (D)	RACK UNITS (RU)
42.0	40.0	37.3	37.0	44
44.0	42.0	39.3	39.0	44

NOTES:

1. MATERIAL: HEAVY GAUGE FORMED STEEL
2. FULLY WELDED FRAME CONSTRUCTION SUPPORTS UP TO 2000 LBS IN STATIC LOADS.
3. POWDER COAT FINISH. VARIOUS STANDARD COLORS AVAILABLE.
4. MULTIPLE DOOR LATCH OPTIONS AVAILABLE.
5. BASE CABINET INCLUDES FRAME, 2 PAIR OF HEAVY GAUGE RACK ANGLES, FRONT AND REAR DOORS WITH LOCKING LATCH, 2 FULL SIDE PANELS WITH LOCKS.
6. SINGLE BAY CABINET DESIGN CAN BE CONVERTED TO CO-LOCATION CABINET DESIGN BY USING OUR CO-LOCATION CONVERSION KIT.
7. APPROXIMATE EMPTY WEIGHT: 400 LBS.
8. OPTIONAL ITEMS INCLUDE:
 - SPLIT FRONT AND REAR DOORS
 - SPLIT SIDE PANELS WITH LOCKS
 - HIGH SECURITY LATCHES
 - CASTER KITS (NOT USABLE WITH CO-LOCATION KIT)
 - HORIZONTAL LACING BARS
 - VERTICAL LACING BARS
 - BLANK PANELS
 - POWER STRIPS

UNLESS OTHERWISE SPECIFIED:
DIMENSIONS ARE IN INCHES

3233 W. Kingsley Rd.
Garland, Texas 75041
PH. 972-272-2468
FAX 972-276-9844

TITLE: CUSTOMER DRAWING, MODULAT DATA CABINET, SINGLE BAY

PROJECTION:

DRAWN BY: RNA	DATE: 11-29-30	SIZE: D	DWG. NO.: MDC-SBxxxxx-SPEC	REV: A
SCALE: 1:16			SHEET 1 OF 1	

PROPRIETARY AND CONFIDENTIAL
THE INFORMATION CONTAINED IN THIS DRAWING IS THE SOLE PROPERTY OF ELECTRONIC SYSTEMS SUPPORT. ANY REPRODUCTION IN PART OR AS A WHOLE WITHOUT THE WRITTEN PERMISSION OF ELECTRONIC SYSTEMS SUPPORT IS PROHIBITED.