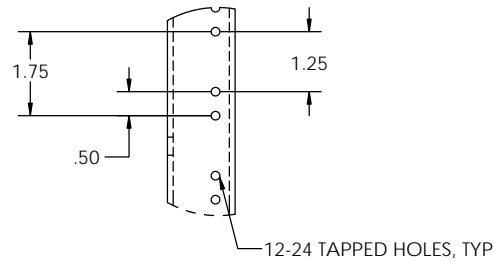
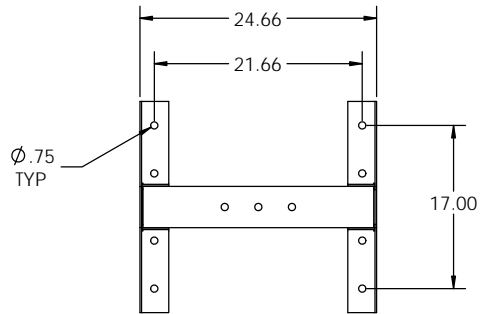
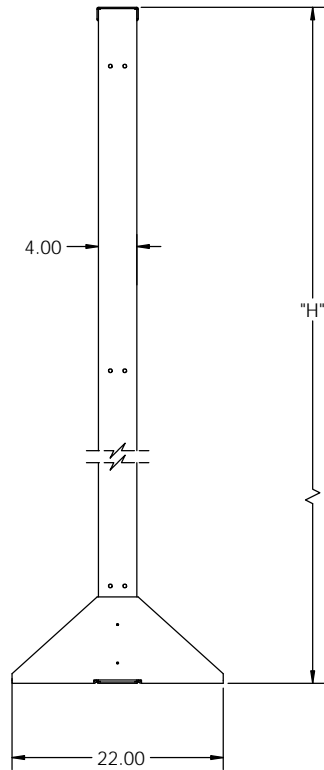
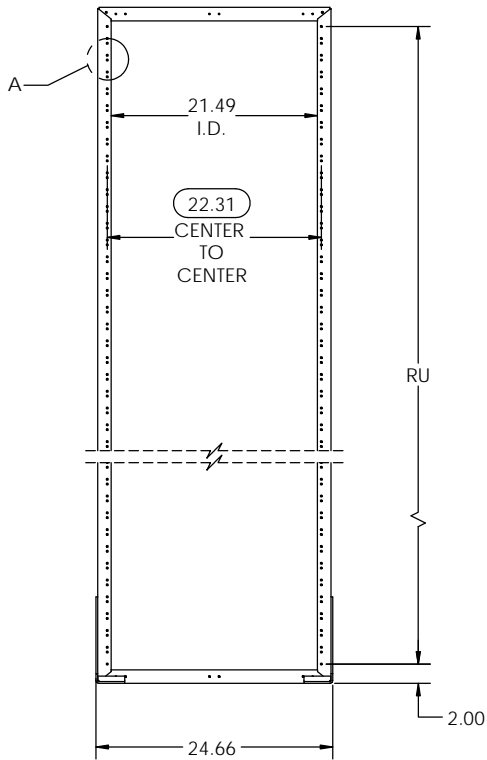


NOTES:

1. MATERIAL: HEAVY GAUGE WELDED STEEL
2. FINISH: POWDER COAT TELCO GRAY
(OTHER COLORS AVAILABLE, SEE PART NUMBER LEGEND)
3. IT IS RECOMMENDED TO SUPPORT RACKS TALLER THAN 8 FT. FROM TOP IN ADDITION TO FLOOR MOUNTING.
4. APPROXIMATE UNPACKAGED WEIGHT: 74 LBS (84" TALL RACK)



DETAIL A
EIA HOLE SPACING



EQUIPMENT RACK PART NUMBER LEGEND

EOR 3 B 084 A A

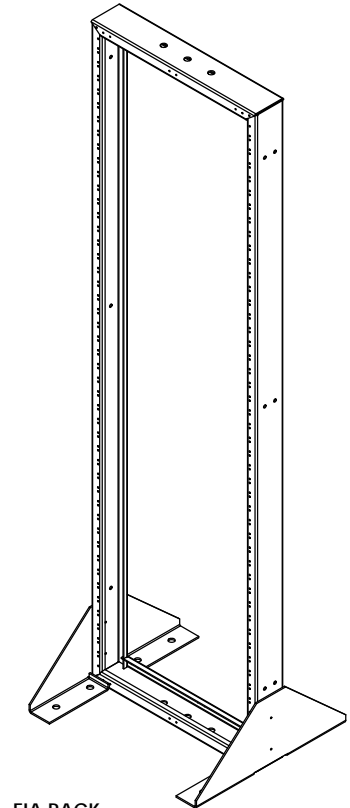
RACK COLOR	
A	TELCO GRAY
B	BLACK
C	BLUE
D	WHITE
E	CREAM
F	KONE GRAY

HOLE SPACING	
A	EIA

RACK HEIGHT		
	H	RU(EIA)
048	4'	25
060	5'	32
066	5'6"	35
072	6'	39
078	6'6"	42
084	7'	46
090	7'6"	49
096	8'	53
108	9'	59
138	11'6"	77

RACK WIDTH	
B	23" PANEL MOUNTING

RACK STYLE	
3	4" HD CHANNEL



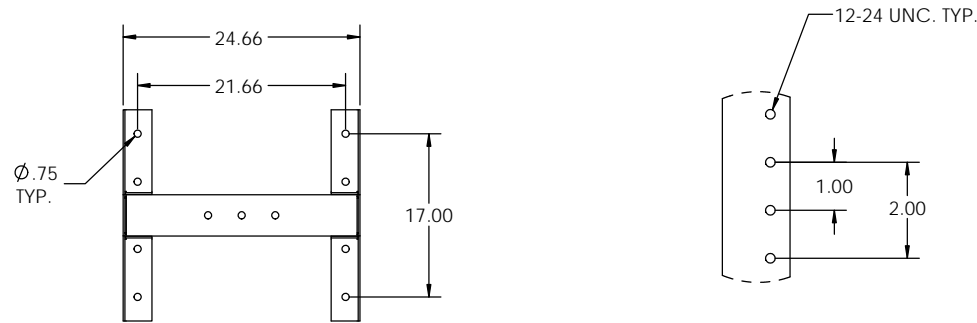
EIA RACK

PROPRIETARY AND CONFIDENTIAL
THE INFORMATION CONTAINED IN THIS DRAWING IS THE SOLE PROPERTY OF ELECTRONIC SYSTEMS SUPPORT. ANY REPRODUCTION IN PART OR AS A WHOLE WITHOUT THE WRITTEN PERMISSION OF ELECTRONIC SYSTEMS SUPPORT IS PROHIBITED.

UNLESS OTHERWISE SPECIFIED: DIMENSIONS ARE IN INCHES		Electronic Systems Support 3233 W. Kingsley Rd. Garland, Texas 75041 PH. 972-272-2468 FAX 972-276-9844 www.ess.to	
PROJECTION:		TITLE: EQ. RACK, 23" PANEL MNTG., 4" CHANNEL, HD	
DRAWN BY: RNA NAME: RNA DATE: 03-07-17	SIZE: C	DWG. NO.: EOR3Bxxxxx-SPEC	REV: B
SCALE: 1:24		SHEET 1 OF 2	

NOTES:

1. MATERIAL: HEAVY GAUGE WELDED STEEL
2. FINISH: POWDER COAT TELCO GRAY
(OTHER COLORS AVAILABLE; SEE PART NUMBER LEGEND)
3. IT IS RECOMMENDED TO SUPPORT RACKS TALLER THAN 8 FT. FROM TOP IN ADDITION TO FLOOR MOUNTING.
4. APPROXIMATE UNPACKAGED WEIGHT: 74 LBS (84" TALL RACK)



DETAIL B
SCALE 1 : 2
WECO HOLE SPACING

EQUIPMENT RACK PART NUMBER LEGEND

EOR 3 B 084 B A

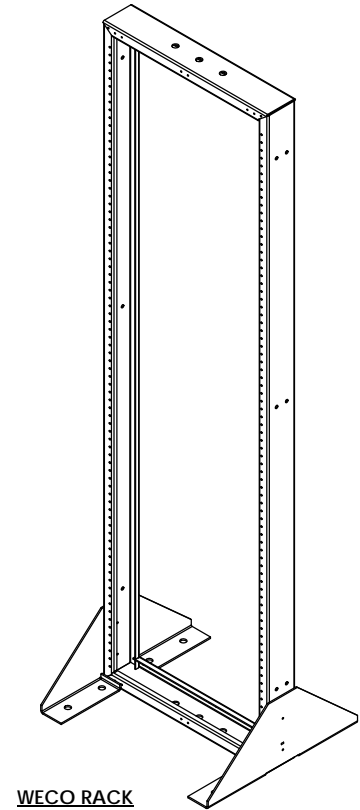
RACK COLOR	
A	TELCO GRAY
B	BLACK
C	BLUE
D	WHITE
E	CREAM
F	KONE GRAY

HOLE SPACING	
B	WECO

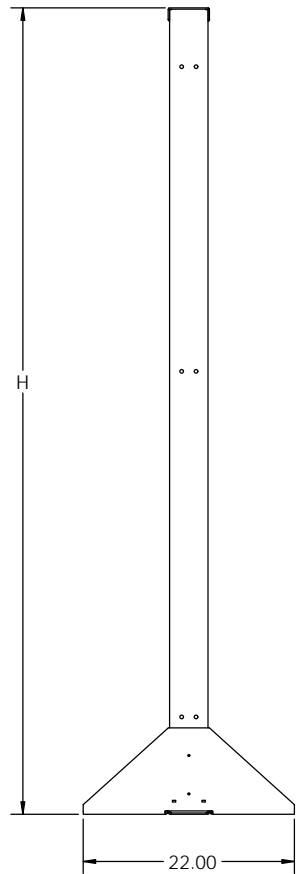
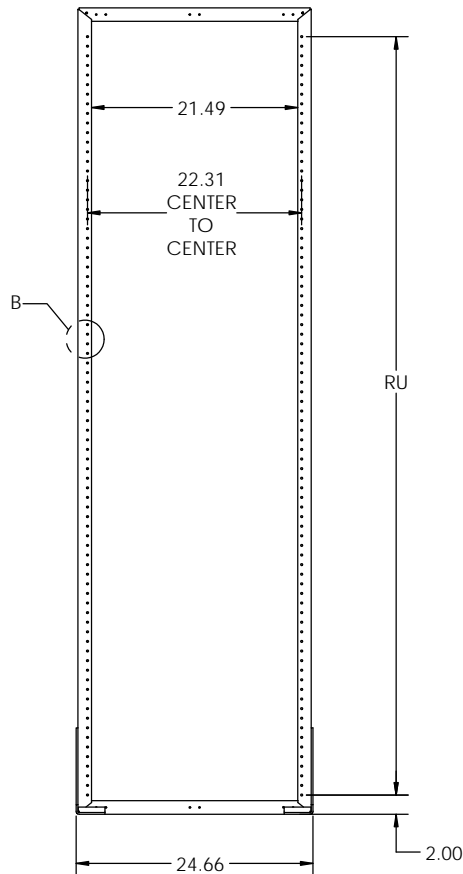
RACK HEIGHT		
	H	RU(WECO)
048	4'	21
060	5'	27
066	5'6"	30
072	6'	33
078	6'6"	36
084	7'	39
090	7'6"	42
096	8'	45
108	9'	51
138	11'6"	66

RACK WIDTH	
B	23" PANEL MOUNTING

RACK STYLE	
3	4" HD CHANNEL



WECO RACK



PROPRIETARY AND CONFIDENTIAL
THE INFORMATION CONTAINED IN THIS DRAWING IS THE SOLE PROPERTY OF ELECTRONIC SYSTEMS SUPPORT. ANY REPRODUCTION IN PART OR AS A WHOLE WITHOUT THE WRITTEN PERMISSION OF ELECTRONIC SYSTEMS SUPPORT IS PROHIBITED.

UNLESS OTHERWISE SPECIFIED: DIMENSIONS ARE IN INCHES		Electronic Systems Support 3233 W. Kingsley Rd. Garland, Texas 75041 PH. 972-272-2468 FAX 972-276-9844	
PROJECTION:		TITLE: EQ. RACK, 23" PANEL MNTG., 4" CHANNEL, HD	
DRAWN BY: RNA NAME: RNA DATE: 03-07-17	SIZE: C	DWG. NO.: EOR3Bxxxxx-SPEC	REV: B
SCALE: 1:24		SHEET 2 OF 2	